

CATALOGUE  
**2019**  
**2020**

PNEUMATIC TOOLS

**AUTHENTIC**  
**POWER**



MIGHTY-SEVEN.COM

# ! WARNING :

- All the pneumatic tools should only be used as hand operated tools. They are powered by compressed air and are not insulated against electric shock.
- Always turn off the air supply and disconnect the air hose before changing or replacing any inserted tool and accessory.
- Before using these tools, make sure that all couplings and plugs are securely fastened. Air hoses which are under pressure may lash out when disconnecting, that can lead to serious injury!
- High sound levels may cause hearing damage.
- Always wear hearing protection when operating this tool.
- Wearing eye/face protection can reduce the danger of high-speed materials being emitted from the tool.
- Make sure that the direction of the spark generated from the cutting wheel grinding wheel or shank stone is properly directed so as to not create a hazard..
- Always wear gloves to reduce risk
- User must wear proper clothing.
- Loose clothing,
- long hair, stings, straps, belts and jewelry should not

be worn when operating this tool.

- Long periods of prolong use will cause fatigue.
- Periodic breaks are recommended for user safety.
- It is recommended to stop operating the tool whenever discomfort, tingling or pain occurs during use.
- Make sure there is no gas or combustible material stored near the tool when servicing, changing insert tools, or storage.
- Wearing proper breathing protection to avoid inhale dust or handling debris from working process, which can be harmful to the health.



## **m7'S SUCCESS IS A TEAM EFFORT!**

**m7** as it is affectionately called by thousands of users world-wide, is much more than just a good manufacturer of air tools. In fact, m7 provides a total brand solution for its air tool partners and consumers. m7's team is composed of a strong network of International air tool experts and an enthusiastic team of engineers, designers, marketers and administration personnel.

# **A STRONG BRAND LISTENS TO ITS CUSTOMERS**

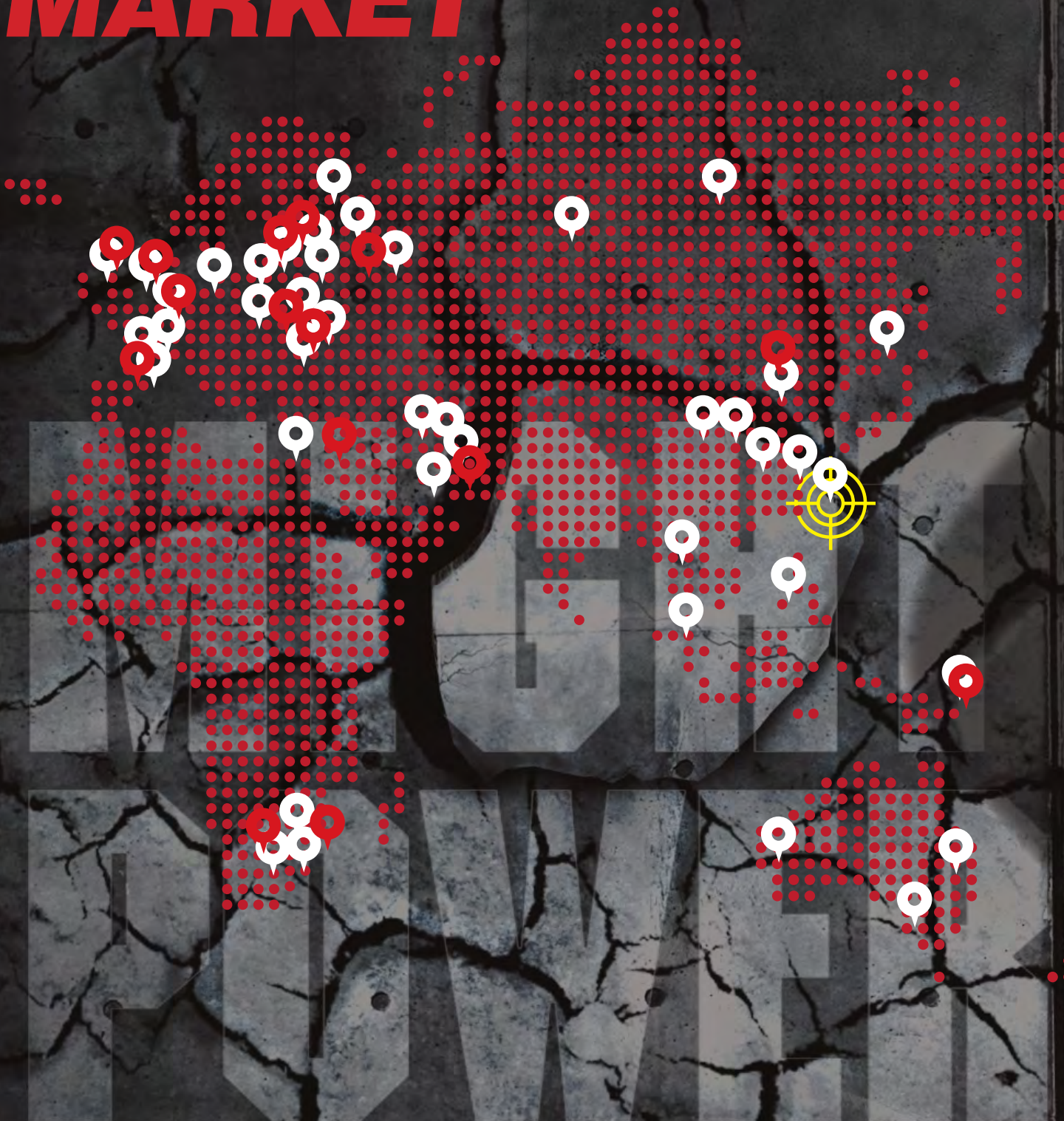
When we develop products such as our new, extremely small and handy air impact wrench NC-4610, m7 customers are our main driving force and focus. By building trust and excellent communication channels with our partners, distributors and channel customers, we very quickly get to understand what it is that they are looking and what motivates their choice of air tools.

As a designer, manufacturer and distributor of tools, we are just as committed to bringing the most reliable, efficient, ergonomic tools to the market as we are to fulfilling our promise of excellent service and support to our clients.

**PT**

**AUTHENTIC POWER**

# **EXPERTISE FOR A GLOBAL MARKET**



**m7** clients are very demanding and nothing short of excellence in product quality and fully committed support will do for them. We may sometimes feel that it is a lot to ask of a relatively new brand, but we embrace the challenge with open arms. We have been manufacturing tools for decades and our expertise in that field helps us better understand our clients' needs.



In terms of quality, we ensure that all the m7-branded products that we sell reflect our commitment to providing tools that are extremely reliable and perform. In order to achieve our standards of quality, our tools are tested thoroughly in our factory, using equipment such as computerized fatigue testing machines, digital torque testing machines, multi-functional testing machines, grinding efficiency testers, run-out testers, digital measuring projectors, environmental testing chamber, grinding and polishing machines, infrared tachometers, vibrations testers and decibel level detectors.



A red speech bubble with a white border is located in the bottom left quadrant. It contains a legend for the location pins on the map. The legend consists of two entries: a red location pin icon followed by the text "Logistics", and a white location pin icon followed by the text "Service Center".

**AUTHENTIC POWER**

# LEVEL IDENTIFICATION

## LEVEL

The air tools in this section have been categorized into three distinctive levels for user convenience (for reference only).



### Efficiency / Performance

Easy to use to handle tasks quickly, these tool embody efficiency and performance.



### Strength

Tools provide high torque force, superior grinding power and high cutting energy.



### Endurance

Built to last, product longevity and low failure rate are characteristics associated with these tools.

## APPLICATION

Application icons have been designed to provide visual references that suggest industry specific features or usability. These application icons are for reference only.



Automotive



Industry



Boat



Motorcycle



Agriculture

# CONTENT

- 12 - NEW PRODUCT
- 26 - AIR IMPACT WRENCH
- 50 - AIR IMPACT RATHCET WRENCH
- 56 - AIR DIE GRINDER
- 64 - AIR ANGLE GRINDER
- 72 - AIR BELT SANDER
- 74 - AIR SANDER
- 82 - AIR PISTOL SANDER
- 83 - AIR CUTTING TOOLS
- 88 - AIR DRILL
- 95 - AIR SCREWDRIVER
- 103 - SPRING BALANCER
- 105 - AIR HAMMER
- 110 - AIR HYDRAULIC RIVETER
- 115 - RIVETER ADAPTOR / RIVET NUT ADAPTOR
- 117 - AIR NAILER / AIR STAPLER
- 120 - AIR COIL NALLER
- 121 - AIR GREASE GUN
- 123 - AIR BLOW GUN
- 124 - 0.5 HP SERIES
- 130 - AUTO REPAIR TOOL
- 138 - SPECIAL TOOLE
- 139 - EXTRACTOR
- 140 - SANDBLASTING GUN
- 142 - FILTER REGULATOR LUBRICATOR
- 150 - AIR HOSE REEL
- 152 - USER DIY ASSEMBLED
- 154 - CORDLESS TOOLS
- 158 - TORQUE WRENCH
- 160 - IMPACT SOCKET
- 184 - DISPLAY STAND / DISPLAY CASE
- 185 - ACCESSORIES
- 196 - AIR ADAPTOR / QUICK COUPLINGS
- 198 - POWER BIT
- 200 - MERCHANDISE
- 202 - CATALOGING INFORMATION
- 207 - ALPHABETIC INDEX



# GLOBAL EXPANSION





Although we have been in the industry for more than 2 decades, m7 has only existed as a brand for a few short years. Nevertheless, the inroads that we have made in many important markets, such as automotive, have led us to believe that our combination of great partner support and quality air tools is our key to succeeding.

**m7** has made its bed and the focus is clearly on providing the right combination of marketing support, customer training and new product development as the way forward. When we print our slogan “greater partner support” we see it not so much as wishful thinking, but more as a m7 “truth”, a code by which we live daily.



# IN-PROCESS INSPECTION

PNEUMATIC  
TOOLS  
GLOBAL EXPANSION

AUTHENTIC POWER

## *What do we check during an In-Process Inspection?*

The In-Process Inspection (IPI) cover our whole production process including the raw materials, unfinished products and assembly. Our team of inspectors chooses a specific quantity of completed products, according to AQL tables (MIL STD 105E). We inspect product appearance, workmanship quality, size measurements, weight check, functionality assortment, accessories, labeling & logos, packaging, packing and other tests and special requirements, depending on the product.

# NEW PRODUCTS

NEW PRODUCTS



## NC-6255Q NC-6255QH

**3/4" DRIVE AIR IMPACT WRENCH** Twin Hammer Type  
Air inlet : 1/4"

- Light weight 1.9kg
- The front housing & back head cover made by magnesium alloy
- Durability composite material

8 pieces in one carton



The NC-4255-PVC Protective boot can apply on NC-6255

PATENT GREASE HOLE

NC-6255QH



## NC-4130

**1/2" DRIVE AIR IMPACT WRENCH**

Pin clutch Type  
Air inlet : 1/4"

10 pieces in one carton

- Low vibration for working
- Clutch delivers smooth and comfortable operation
- Mini size tool body ,ultralight and easy use.
- One-handed forward / reverse button with 3 position power settings
- Compact and ergonomic design with rubber grip
- General Maintenance
- Robust housing and oil bath clutch provide durability Versatile tool
- ideal for all general repairs and maintenance applications

**1.2 m/s<sup>2</sup> VIBRATION LOW**





# NC-8266P NC-8266P-6

**40%**  
Lighter

**27%**  
More Powerful

## 1" DRIVE AIR IMPACT WRENCH

Twin Hammer Type  
Air inlet : 1/2"

4 pieces in one carton

NC-8266P-6 is equipped with 6" extended anvil.



# NC-4255Q-41KIT NC-4255Q-41KITA05

2 pieces in one carton

## FEATURES

Expert Quality, Commonly used in car repair special sets .

41pcs Impact Socket:

- +1 pc1/2" MA411M 10mm
- +1 pc1/2" MA411M 12mm
- +1 pc1/2" MA411M 14mm
- +1 pc1/2" MA411M 16mm
- +1 pc1/2" MA411M 18mm
- +1 pc1/2" MA411M 21mm
- +1 pc1/2" MA411M 24mm
- +1 pc1/2" MA411M 30mm
- +1 pc1/2" MA431M 10mm
- +1 pc1/2" MA431M 12mm
- +1 pc1/2" MA431M 14mm
- +1 pc1/2" MA431M 16mm
- +1 pc1/2" MA431M 18mm
- +1 pc1/2" MA431M 21mm
- +1 pc1/2" MA431M 24mm
- +1 pc1/2" MA431M17BV 17mm
- +1 pc1/2" MA431M19YL 19mm
- +1 pc1/2" MA431M21RD 21mm
- +1 pc1/2" MA411M 11mm
- +1 pc1/2" MA411M 13mm
- +1 pc1/2" MA411M 15mm
- +1 pc1/2" MA411M 17mm
- +1 pc1/2" MA411M 19mm
- +1 pc1/2" MA411M 22mm
- +1 pc1/2" MA411M 27mm
- +1 pc1/2" MA411M 32mm
- +1 pc1/2" MA431M 11mm
- +1 pc1/2" MA431M 13mm
- +1 pc1/2" MA431M 15mm
- +1 pc1/2" MA431M 17mm
- +1 pc1/2" MA431M 19mm
- +1 pc1/2" MA431M 22mm

- Torque Wrench:  
+1 pc 1/2"TE-442210
- Mini Lubricator:  
+1pc 1/4"SW-12
- Universal Joint:  
+1pc 1/2"ME4711



NC-4255Q-41KITA05  
(Blowmold Case)

CAN BE CUSTOMIZED



| Square Drive | Bolt Capacity | Torque Range | Max Torque         | Free Speed | Avg. Air Consumption | Air Pressure | Overall Length | Net Weight | Air Hose      | Sound Pressure | Vibration Level  |      |      |     |
|--------------|---------------|--------------|--------------------|------------|----------------------|--------------|----------------|------------|---------------|----------------|------------------|------|------|-----|
| Inch         | Inch (mm)     | FT-LB (Nm)   | FT-LB Nm           | R.P.M      | CFM (L/min)          | PSI (bar)    | Inch (mm)      | LBS kg     | Inch          | dBA            | m/s <sup>2</sup> |      |      |     |
| NC-4130      | 1/2"          | 5/8"(16)     | 180-400(244-542)   | 600        | 813                  | 9000         | 4.5(127)       | 90(6.3)    | 5-9/16"(142)  | 55             | 1.61             | 3/8" | 93.0 | 1.2 |
| NC-4255Q     | 1/2"          | 1"(25)       | 200-800(271-1085)  | 1200       | 1627                 | 8500         | 4.8(136)       | 90(6.3)    | 7-1/32"(179)  | 3.7            | 1.70             | 3/8" | 85.0 | 4.7 |
| NC-6255Q     | 3/4"          | 1"(25)       | 200-1100(271-1491) | 1400       | 1890                 | 8500         | 4.8(136)       | 90(6.3)    | 7-13/16"(198) | 4.2            | 1.90             | 3/8" | 85.0 | 4.7 |
| NC-6255QH    | 3/4"          | 1"(25)       | 200-1100(271-1491) | 1400       | 1890                 | 8500         | 4.8(136)       | 90(6.3)    | 7-1/32"(179)  | 4.2            | 1.90             | 3/8" | 85.0 | 4.5 |
| NC-8266P     | 1"            | 1-3/8"(35)   | 200-2000(271-2710) | 2300       | 3118                 | 4500         | 9.0(254)       | 90(6.3)    | 10"(256)      | 13             | 5.90             | 1/2" | 92.0 | 6.1 |
| NC-8266P-6   | 1"            | 1-3/8"(35)   | 200-2000(271-2710) | 2300       | 3118                 | 4500         | 9.0(254)       | 90(6.3)    | 16"(408)      | 13.86          | 6.30             | 1/2" | 92.0 | 6.1 |

# NEW PRODUCTS

NEW PRODUCTS



## NC-8332 NC-8332-6

**1" DRIVE AIR** Pin Less Type  
**IMPACT WRENCH** Air inlet : 1/2"

NC-8332-6 is equipped with 6" extended anvil



NC-8332

|           | Square Drive<br>Inch | Bolt Capacity<br>Inch (mm) | Torque Range<br>FT-LB (Nm) | Max Torque<br>FT-LB Nm |      | Free Speed<br>R.P.M | Avg. Air Consumption<br>CFM (L/min) | Air Pressure<br>PSI (bar) | Overall Length<br>Inch (mm) | Net Weight<br>LBS kg |       | Air Hose<br>Inch | Sound Pressure<br>dBA | Vibration Level<br>m/s <sup>2</sup> |
|-----------|----------------------|----------------------------|----------------------------|------------------------|------|---------------------|-------------------------------------|---------------------------|-----------------------------|----------------------|-------|------------------|-----------------------|-------------------------------------|
| NC-8332   | 1"                   | 1-3/8"(33)                 | 200-2000(271-2710)         | 2500                   | 3390 | 4180                | 8.0(226.5)                          | 90(6.3)                   | 14-11/16"(372.6)            | 20.7                 | 9.4   | 3/8"             | 103.8                 | 8.22                                |
| NC-8332-6 | 1"                   | 1-3/8"(33)                 | 200-2000(271-2710)         | 2500                   | 3390 | 4180                | 8.0(226.5)                          | 90(6.3)                   | 20-11/16"(525)              | 23.3                 | 10.57 | 3/8"             | 103.8                 | 8.22                                |



## NC-398 NC-498

**3/8" & 1/2" DRIVE AIR**  
**ANGLE IMPACT WRENCH**  
Jumbo Hammer Type Air inlet : 1/4"

8 pieces in one carton

- Compared with geared angle impact, the gearless angle impact reduces vibration, increase torque output.
- Easy access in confined work spaces, short and stubby with 88 mm x 245 mm.
- Low reaction force.
- One handed Forward – Reverse operation 3 positions in forward and 1 in reverse.



|        | Square Drive<br>Inch | Bolt Capacity<br>Inch (mm) | Torque Range<br>FT-LB (Nm) | Max Torque<br>FT-LB Nm |     | Free Speed<br>R.P.M | Avg. Air Consumption<br>CFM (L/min) | Air Pressure<br>PSI (bar) | Overall Length<br>Inch (mm) | Net Weight<br>LBS kg |      | Air Hose<br>Inch | Sound Pressure<br>dBA | Vibration Level<br>m/s <sup>2</sup> |
|--------|----------------------|----------------------------|----------------------------|------------------------|-----|---------------------|-------------------------------------|---------------------------|-----------------------------|----------------------|------|------------------|-----------------------|-------------------------------------|
| NC-398 | 3/8"                 | 9/16"(14)                  | 50-200(68-271)             | 300                    | 405 | 6500                | 4.2(119)                            | 90(6.3)                   | 9-3/4"(247)                 | 3.0                  | 1.37 | 3/8"             | 85.0                  | 2.0                                 |
| NC-498 | 1/2"                 | 5/8"(16)                   | 80-300(108-405)            | 400                    | 542 | 6500                | 4.2(119)                            | 90(6.3)                   | 9-3/4"(247)                 | 3.0                  | 1.37 | 3/8"             | 85.0                  | 2.0                                 |



**NE-3901**  
**NE-4901**  
**3/8" & 1/2"**



DRIVE AIR  
IMPACT RATCHET  
Air inlet : 1/4" **20 pieces in one carton**



**NE-451R** **1/2" DRIVE AIR RATCHET WRENCH**  
**Rubber Handle**  
Air inlet : 1/4" **20 pieces in one carton**



|         | Square Drive | Torque Range   | Max Torque | Free Speed | Avg. Air Consumption | Air Pressure | Overall Length | Net Weight | Air Hose | Sound Pressure | Vibration Level  |
|---------|--------------|----------------|------------|------------|----------------------|--------------|----------------|------------|----------|----------------|------------------|
|         | Inch         | FT-LB (Nm)     | FT-LB Nm   | R.P.M      | CFM (L/min)          | PSI (bar)    | Inch (mm)      | LBS kg     | Inch     | dBA            | m/s <sup>2</sup> |
| NE-3901 | 3/8"         | 5-35(7-47)     | 40 54      | 1100       | 3.1(87.1)            | 90(6.3)      | 6-1/4"(159)    | 1.32 0.6   | 3/8"     | 89.0           | 2.2              |
| NE-4901 | 1/2"         | 10-40(13.5-54) | 50 68      | 1100       | 3.0(69.4)            | 90 (6.3)     | 6-1/4"(159)    | 1.48 0.67  | 3/8"     | 89.0           | 2.2              |
| NE-451R | 1/2"         | 5-15"(6.7-20)  | 22 30      | 350        | 3.0(84.96)           | 90 (6.3)     | 5"(126)        | 1.1 0.50   | 3/8"     | 89.0           | 4.4              |



**NE-0405-KIT** **5 IN 1 MULTIPLE TOOL KIT**  
Contents

- 1pc NE-9004
- 1pc QA-9120
- 1pc QA-9620
- 1pc QB-9903
- 1pc QE-9132

**5 pieces in one carton**

**60FT-LB 81Nm**  
Ratchet NE-9904



Die Grinder QA-9120



Angle Die Grinder QA-9620



Angle Grinder QB-9903



Air drill QE-9132



|         | Cylinder Power | Chuck Capacity          | Free Speed | Net Weight | Overall Length | Avg. Air Consumption | Air Pressure | Air Inlet Size | Air Hose | Sound Pressure |
|---------|----------------|-------------------------|------------|------------|----------------|----------------------|--------------|----------------|----------|----------------|
|         | hp(w)          | Inch (mm)               | R.P.M      | kg         | mm             | (L/min)              | PSI (bar)    | Inch           | Inch     | dBA            |
| QA-9120 | 0.5(372)       | 1/4" & 1/8" (6mm & 3mm) | 19,000     | 0.73       | 202.8          | 5.20                 | 90(6.3)      | 1/4            | 3/8      | 83             |
| NE-9904 | 0.5(372)       | 1/2"(13)                | 150        | 1.488      | 287.88         | 5.22                 | 90(6.3)      | 1/4            | 3/8      | 83             |
| QE-9132 | 0.5(372)       | 3/8"(10)                | 3300       | 1.143      | 248.38         | 5.20                 | 90(6.3)      | 1/4            | 3/8      | 83             |
| QB-9903 | 0.5(372)       | PAD DIA 3"(76)          | 14,000     | 0.976      | 211.5          | 5.20                 | 90(6.3)      | 1/4            | 3/8      | 83             |
| QA-9620 | 0.5(372)       | 1/4" & 1/8" (6mm & 3mm) | 14,000     | 0.89       | 208.5          | 5.20                 | 90(6.3)      | 1/4            | 3/8      | 83             |



# NEW PRODUCTS

NEW PRODUCTS

## QP-111

1" AIR ANGLE SANDER

Air inlet : 1/4"

20 pieces in one carton



## MA4031M85

3 PCS 1/2" DR. DEEP THIN WALL IMPACT SOCKET SET

20 pieces in one carton



**STRENGTHEN  
STEEL  
SLEEVE**

3PCS 17mm.19mm.21mm

## QB-322RC

AIR BELT SANDER - ANGLE FELXIBLE

Air inlet : 1/4"

Can be bent to 0~50 degrees

5-stage speed regulation 10000~16000R.P.M can be adjusted according to sanding conditions

<Rubber Pulley> equipped with single point operation sanding

Bending design for large diameter metal tubes with iron bars or large curved surfaces

10 pieces in one carton



|          | Belt Size<br>Pad Dia | Spindle Size | Free<br>Speed | Avg. Air<br>Consumption | Air<br>Pressure | Overall<br>Length | Net<br>Weight | Motor     | Air<br>Hose | Sound<br>Pressure | Vibration<br>Level |
|----------|----------------------|--------------|---------------|-------------------------|-----------------|-------------------|---------------|-----------|-------------|-------------------|--------------------|
|          | inch(mm)             |              | R.P.M         | CFM (L/min)             | PSI (bar)       | Inch (mm)         | LBS kg        | HP        | Inch        | dBA               | m/s²               |
|          |                      |              |               |                         |                 |                   |               | <b>hp</b> |             |                   |                    |
| QB-322RC | 3/4"x20-1/2"(20x520) | -----        | 16000         | 4.0(226)                | 90(6.3)         | 17" (431.8)       | 3.1(1.41)     | -----     | 3/8"        | 88                | 1.3                |
| QP-111   | 1" (26)              | M10 X P1.5   | 8000          | 2.7(152)                | 90(6.3)         | 6-3/8" (162.1)    | 1.2(0.55)     | 0.3       | 3/8"        | 89                | 0.3                |



# QB-7215M QB-7245M

## 100° AIR ANGLE GRINDER / LEVER TYPE THROTTLE

Note : The grinding wheel is not supplied along with the tool  
Air inlet : 1/4"

**Adjustable disc cover**

6 pieces in one carton

### Swivel Exhaust



- Strengthened motor design can reach 1.3HP.
- Metric and inch spindle design can meet accessory demands in every market.
- Spindle lock enables easier accessory changes.
- 100 degree design enables easier operation.
- Heavy duty air cooled spiral gears and double bearings for durability.



|          | Pad Dia<br>inch(mm) | Spindle Size | Free Speed<br>R.P.M | Avg. Air Consumption<br>CFM (L/min) | Air Pressure<br>PSI (bar) | Overall Length<br>Inch (mm) | Motor<br>HP | Net Weight<br>LBS(kg) | Air Hose<br>Inch | Sound Pressure<br>dBA | Vibration Level<br>m/s <sup>2</sup> |
|----------|---------------------|--------------|---------------------|-------------------------------------|---------------------------|-----------------------------|-------------|-----------------------|------------------|-----------------------|-------------------------------------|
| QB-7215M | 5"(127)             | M14*P2.0     | 11000               | 4.2(119)                            | 90(6.3)                   | 9-1/8" (232)                | 1.30        | 4.0 1.8               | 3/8"             | 90.0                  | 1.2                                 |
| QB-7245M | 4-1/2"(115)         | M14*P2.0     | 11000               | 4.2(119)                            | 90(6.3)                   | 9-1/8" (232)                | 1.30        | 4.0 1.8               | 3/8"             | 90.0                  | 1.2                                 |



# QB-51612 QB-51602

## AIR RANDOM ORBITAL SANDER CENTRAL-VACUUM

Air inlet : 1/4"

10 pieces in one carton

- With automatic brake function, it will not hurt the object.
- Brake function seal also improve vacuuming efficiency.
- Multiple holes sanding pad included.



**Sanding Pad Brake**



|          | Pad Dia<br>inch(mm) | Free Speed<br>R.P.M | Avg. Air Consumption<br>CFM (L/min) | Air Pressure<br>PSI (bar) | Overall Length<br>Inch (mm) | Motor<br>HP | Net Weight<br>LBS(kg) | Air Hose<br>Inch | Sound Pressure<br>dBA | Vibration Level<br>m/s <sup>2</sup> | orbit<br>mm |
|----------|---------------------|---------------------|-------------------------------------|---------------------------|-----------------------------|-------------|-----------------------|------------------|-----------------------|-------------------------------------|-------------|
| QB-51612 | 6"(152)             | 10000               | 5(141)                              | 90(6.3)                   | 6"(152)                     | 0.24        | 2 0.95                | 3/8"             | 81                    | 1.5                                 | 2.5         |
| QB-51602 | 6"(152)             | 10000               | 5(141)                              | 90(6.3)                   | 6"(152)                     | 0.24        | 2 0.95                | 3/8"             | 81                    | 1.5                                 | 5.0         |

# NEW PRODUCTS

NEW PRODUCTS

## ★★★ QE-624QA [SET]

### 4PCS MINI TOOLS SET

Air inlet : 1/4"

5 sets in one carton

#### Contents:

- + 1 pc QA-101
- + 1 pc QA-601
- + 1 pc QE-924
- + 1 pc QE-624



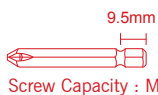
|        | Chuck Size<br>inch/mm   | Free Speed<br>R.P.M | Avg. Air Consumption<br>CFM (L/min) | Air Pressure<br>PSI(bar) | Overall Length<br>Inch (mm) | Net Weight<br>LBS /kg | Air Hose<br>Inch | Sound Pressure<br>dBA | Vibration Level<br>m/s <sup>2</sup> | Motor<br>HP |
|--------|-------------------------|---------------------|-------------------------------------|--------------------------|-----------------------------|-----------------------|------------------|-----------------------|-------------------------------------|-------------|
|        |                         |                     |                                     |                          |                             |                       |                  |                       |                                     |             |
| QE-624 | 1/4" (6mm)              | 5000                | 7.8(130)                            | 90(6.3)                  | 5-5/8"(143)                 | 1.47(0.67)            | 3/8"             | 82                    | 1.2                                 | 0.3         |
| QE-924 | 1/4" (6mm)              | 6500                | 8.1(135)                            | 90(6.3)                  | 5-3/4"(146)                 | 1.2(0.55)             | 3/8"             | 77                    | 1.2                                 | 0.3         |
| QA-101 | 1/4" & 1/8" (6mm & 3mm) | 25000               | 6.3(105)                            | 90(6.3)                  | 4-11/16"(119)               | 0.7(0.32)             | 3/8"             | 80                    | 1.4                                 | 0.3         |
| QA-601 | 1/4" & 1/8" (6mm & 3mm) | 22000               | 10(167)                             | 90(6.3)                  | 4-3/4"(120.7)               | 0.97(0.44)            | 3/8"             | 84                    | 1.1                                 | 0.3         |

## ★★★ RA-801EA

### AIR SCREWDRIVER EXTERNAL ADJUSTABLE

Air inlet : 1/4"

10 pieces in one carton



- One hand forward / reverse operation
- Two step trigger
- Swivel air inlet



EXTERNAL ADJUSTABLE



|          | Chuck Size<br>inch | Torque Range<br>FT-LB(Nm) | Free Speed<br>R.P.M | Avg. Air Consumption<br>CFM (L/min) | Air Pressure<br>PSI(bar) | Overall Length<br>Inch(mm) | Net Weight<br>LBS /kg | Air Hose<br>Inch | Sound Pressure<br>dBA | Vibration Level<br>m/s <sup>2</sup> |
|----------|--------------------|---------------------------|---------------------|-------------------------------------|--------------------------|----------------------------|-----------------------|------------------|-----------------------|-------------------------------------|
|          |                    |                           |                     |                                     |                          |                            |                       |                  |                       |                                     |
| RA-801EA | 1/4"               | 3.8-10.4(5-14 Nm)         | 2100                | 4.0(113)                            | 90(6.3)                  | 9"(230)                    | 3.0 (1.39)            | 3/8"             | 90.0                  | 4.2                                 |



# 3/8" QE-2130/QE-2133/QE-2137 1/2" QE-2143

## AIR REVERSIBLE DRILL

Air inlet : 1/4"

10 pieces in one carton

- 4 Running speeds identified by different colour rings for multiple applications.



|         | Chuck Size<br>inch(mm) | Free Speed<br>R.P.M | Motor<br>hp | Avg. Air Consumption<br>CFM (L/min) | Air Pressure<br>PSI (bar) | Overall Length<br>Inch (mm) | Net Weight<br>LBS / kg | Air Hose<br>Inch | Sound Pressure<br>dBA | Vibration Level<br>m/s <sup>2</sup> |
|---------|------------------------|---------------------|-------------|-------------------------------------|---------------------------|-----------------------------|------------------------|------------------|-----------------------|-------------------------------------|
|         |                        |                     |             |                                     |                           |                             |                        |                  |                       |                                     |
| QE-2130 | 3/8"(10)               | 3500                | 0.5(372w)   | 4(113)                              | 90(6.3)                   | 7.12( 181)                  | 1.76(0.8)              | 3/8"             | 92                    | 0.2                                 |
| QE-2133 | 3/8"(10)               | 2000                | 0.5(372w)   | 4(113)                              | 90(6.3)                   | 7.12( 181)                  | 1.76(0.8)              | 3/8"             | 92                    | 0.2                                 |
| QE-2137 | 3/8"(10)               | 2800                | 0.5(372w)   | 4(113)                              | 90(6.3)                   | 7.12( 181)                  | 1.76(0.8)              | 3/8"             | 92                    | 0.2                                 |
| QE-2143 | 1/2"(13)               | 500                 | 0.5(372w)   | 4(113)                              | 90(6.3)                   | 9(229)                      | 2.64(1.2)              | 3/8"             | 92                    | 0.2                                 |

## YA-0303

### QUICK ASSEMBLY TENT

1 pieces in one carton

- Quick disassembly and assembly with quick release structure design.
- After shrinking, it can be placed in the trunk of vehicle. Easy to carry.

| Tent Size | Size | Area            | Weight | Top high |
|-----------|------|-----------------|--------|----------|
|           | 3.3m | 9m <sup>2</sup> | 22.5kg | 3.5m     |



## AD-309 DISPLAY BOARD

1 pieces in one carton

- Nice m7 brand image is conducive to small space display hanging tools.
- Can also be used as a gift to the user to hang the tools.

Overall Size(mm)  
Width x Depth x Height  
725 x 14 x 900  
weight:11.5kg



## ZC-203 SPORTS CAP



# NEW PRODUCTS

NEW PRODUCTS

## JC-202

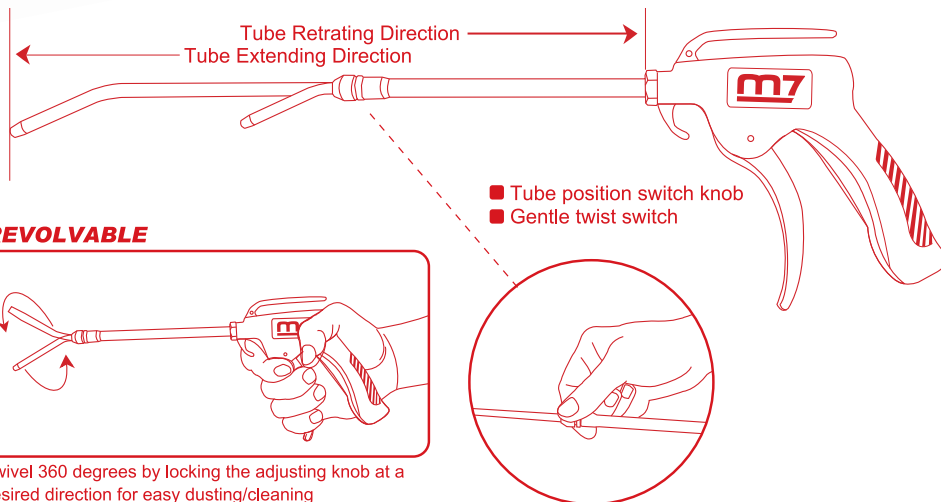
AIR BLOW GUN

Air inlet : 1/4"

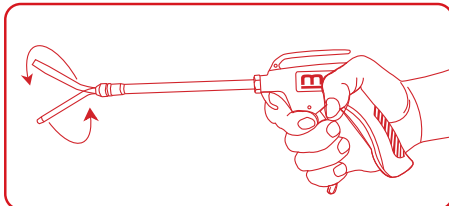
60 pieces in one carton



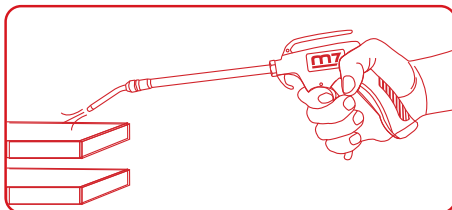
**Extendable tube.  
Revolvable nozzle.**



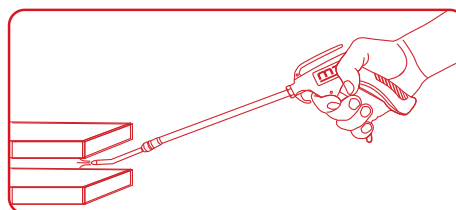
### REVOLVABLE



Swivel 360 degrees by locking the adjusting knob at a desired direction for easy dusting/cleaning



Extending reach on narrow surface area dusting/cleaning



As well as dusting/cleaning on hard reaching area

|        | Nozzle Length<br>inch | Working Pressure<br>PSI (bar) | Max Pressure<br>PSI (bar) | Avg. Air Consumption<br>CFM(L/min) | Avg. Air Consumption<br>CFM(L/min) | Net Weight<br>LBS kg | Air Hose<br>Inch | Sound Pressure<br>dBA |
|--------|-----------------------|-------------------------------|---------------------------|------------------------------------|------------------------------------|----------------------|------------------|-----------------------|
| JC-202 | 7"-12"                | 90-120(6.2-8.5)               | 220(15.1)                 | -----                              | 5.10(144)                          | 0.48 0.22            | 3/8"             | 90.0                  |

# SX-1618

10 pieces in one carton

## AIR CLEANING GUN KIT

Contents: 1pc air pressure washer gun.

1pc air snow gun.

1pc sponge .



Sponge

Air Pressure Washer Gun



Air Snow Gun

# SX-1201

20 pieces in one carton

## AIR UNDERSEAL GUN

- Connect the gun to the compressed air line system.
- When the handle is activated, the air flow sucks the paint up out of the container with an ejective effect.



|         | Air Inlet | Avg. Air Consumption | Air Pressure | Air Hose  | Overall Length   | Net Weight |      |
|---------|-----------|----------------------|--------------|-----------|------------------|------------|------|
|         | Inch (mm) | CFM                  | PSI          | Inch (mm) | Inch (mm)        | LBS        | (kg) |
| SX-1201 | 1/4"(6mm) | 6.2                  | 90           | 3/8"(10)  | 9-9/16"(245mm)   | 1.43       | 0.65 |
| SX-1618 | 1/4"(6mm) | 5                    | 90           | 3/8"(10)  | 14-15/16"(380mm) | 0.44       | 0.19 |

# NEW PRODUCTS

NEW PRODUCTS

## SB-6042

Air Inlet : 1/4"  
Dial Face Size : ø3"



## SB-3030

Air inlet : 1/4"



## SB-3038

Air inlet : 1/4"



## SB-4031 SB-4151

**ONE TOUCH**  
Air Inlet : 1/4"  
Short Piping  
Dial Face Size : ø3.5"

20 pieces in one carton



Long Piping



SB-4151

## SB-2031 SB-2131

**ONE TOUCH**  
Air Inlet : 1/4"  
Short Piping  
Dial Face Size : ø3.5"

20 pieces in one carton



Long Piping



SB-2131

|         | Max Pressure<br>PSI (bar) | Air Consumption<br>at 100PSI<br>CFM | Air Inlet<br>Inch | Air Pressure<br>PSI (bar) | Net Weight<br>kg | Air Hose<br>Inch | Pipe Length<br>cm |                 |
|---------|---------------------------|-------------------------------------|-------------------|---------------------------|------------------|------------------|-------------------|-----------------|
|         | MAX                       |                                     |                   |                           |                  |                  |                   |                 |
| SB-2031 | 160(11.0)                 | 1.41                                | 1/4"              | 90(6.3)                   | 0.6              | 3/8"             | 30                | One touch clip  |
| SB-2131 | 160(11.0)                 | 1.41                                | 1/4"              | 90(6.3)                   | 0.65             | 3/8"             | 150               | One touch clip  |
| SB-3030 | 200(14.0)                 | 1.41                                | 1/4"              | 90(6.3)                   | 0.49             | 3/8"             | 30                | Tyre valve clip |
| SB-3038 | 200(14.0)                 | 1.41                                | 1/4"              | 90(6.3)                   | 0.68             | 3/8"             | 100               | Tyre valve clip |
| SB-4031 | 160(11.0)                 | 1.41                                | 1/4"              | 90(6.3)                   | 0.6              | 3/8"             | 30                | One touch clip  |
| SB-4151 | 160(11.0)                 | 1.41                                | 1/4"              | 90(6.3)                   | 0.65             | 3/8"             | 150               | One touch clip  |
| SB-6042 | 160(11.0)                 | 1.41                                | 1/4"              | 90(6.3)                   | 0.62             | 3/8"             | 100               | Tyre valve clip |

## ★★ TB-205025N

1/4" Torque Wrench, Engrave. Nm / ft-lb scale, Down Push

24 pieces in one carton



## ★★ TB-305025N

## TB-320110N

3/8" Torque Wrench, Engrave. Nm / ft-lb scale, Down Push

24 pieces in one carton



## ★★ TB-420210N

## TB-450350N

1/2" Torque Wrench, Engrave. Nm / ft-lb scale, Down Push

12 pieces in one carton



## ★★ TB-610060N

## TB-615080N

## TB-620100N

3/4" Torque Wrench, Engrave. Nm / ft-lb scale, Down Push

2 pieces in one carton



|            | Drive | Torque Range<br>(Nm) | Torque Range<br>(ft-lb) | Indicator | Torque<br>Adjusting | D<br>mm | H<br>mm | L<br>mm | Weight<br>kg |
|------------|-------|----------------------|-------------------------|-----------|---------------------|---------|---------|---------|--------------|
| TB-205025N | 1/4"  | 5-25                 | 4.425-17.7              | Engrave   | Rotating            | 32      | 31.8    | 281     | 0.53         |
| TB-305025N | 3/8"  | 5-25                 | 4.425-17.7              | Engrave   | Rotating            | 32      | 31.8    | 361     | 0.77         |
| TB-320110N | 3/8"  | 20-110               | 18.5-77.5               | Engrave   | Rotating            | 32      | 31.8    | 361     | 0.77         |
| TB-420210N | 1/2"  | 20-210               | 18.4-151.2              | Engrave   | Rotating            | 40.5    | 40      | 461     | 1.25         |
| TB-450350N | 1/2"  | 50-350               | 48-247.2                | Engrave   | Rotating            | 40.5    | 40      | 553     | 1.59         |
| TB-610060N | 3/4"  | 100-600              | 92-424                  | Engrave   | Rotating            | 63      | 58      | 1010    | 2.41         |
| TB-615080N | 3/4"  | 150-800              | 129-572                 | Engrave   | Rotating            | 63      | 58      | 1010    | 2.41         |
| TB-620100N | 3/4"  | 200-1000             | 166-719                 | Engrave   | Rotating            | 63      | 58      | 1010    | 2.41         |



# NEW PRODUCTS

NEW PRODUCTS

## ★★ TW-611602 TW-611802 TW-612102

3/4" Torque Wrench, Window display.  
Nm / ft-lb scale, Back Tuning

2 pieces in one carton



## ★★ TW-210222

1/4" Torque Wrench, Window display.  
Nm / ft-lb scale, Back Tuning

24 pieces in one carton

## ★★ TW-310552

3/8" Torque Wrench, Window display.  
Nm / ft-lb scale, Back Tuning

24 pieces in one carton

## ★★ TW-411102 TW-412202

1/2" Torque Wrench, Window display.  
Nm / ft-lb scale, Back Tuning

12 pieces in one carton



|           | Drive | Torque Range<br>(Nm) | Torque Range<br>(ft-lb) | Indicator        | Torque<br>Adjusting | D<br>mm | H<br>mm | L<br>mm | Weight<br>kg |
|-----------|-------|----------------------|-------------------------|------------------|---------------------|---------|---------|---------|--------------|
| TW-210222 | 1/4"  | 2-25                 | 1.5 - 18                | Magnifying glass | Back Tuning         | 40.5    | 40      | 296     | 0.41         |
| TW-310552 | 3/8"  | 5 - 50               | 3.5 - 37                | Magnifying glass | Back Tuning         | 40.5    | 40      | 333     | 0.47         |
| TW-411102 | 1/2"  | 10-100               | 8-75                    | Magnifying glass | Back Tuning         | 40.5    | 40      | 400     | 0.82         |
| TW-412202 | 1/2"  | 20-200               | 10-150                  | Magnifying glass | Back Tuning         | 40.5    | 40      | 500     | 1.3          |
| TW-611602 | 3/4"  | 100 - 600            | 75 - 440                | Magnifying glass | Back Tuning         | 63      | 58.5    | 1040    | 4.65         |
| TW-611802 | 3/4"  | 150 - 800            | 110 - 590               | Magnifying glass | Back Tuning         | 63      | 58.5    | 1240    | 5.45         |
| TW-612102 | 3/4"  | 200 - 1000           | 150 - 740               | Magnifying glass | Back Tuning         | 63      | 58.5    | 1240    | 5.45         |

## BRUSHLESS DD-20502

20V BL Motor Drill Driver

Key Spec:

- Speed: 0-450RPM/0-1750RPM
- Setting: 23+1
- Max Torque: 68N.m
- Chuck Size: 1/2"
- Accessory: 2pcs 5.0Ah Li-ion battery+ 1pc charger +2pcs bits
- Package: BMC

## FEATURES

1. Brushless motor technology delivers longer motor life, more power and more run-time.
2. Jacobs® 1/2" Ratcheting , single-sleeve keyless metal chuck.
3. Two speed metal gearbox operates at 0-450/0-1750 RPM.
4. LED work light on the foot with after-glow.
5. Electric brake quickly stops the chuck rotation.
6. Removable bit holder and belt clip.



# DJS-25502A

## 18V Jig Saw

Key Spec:

- Stroke Length: 25mm (1inch)
- No Load Speed: 0-2200
- Variable Speed
- Keyless Accessory Change
- LED Light
- Accessories: 5.0Ah battery x 2pcs; charger x 1pc
- Packaging: BMC

## FEATURES

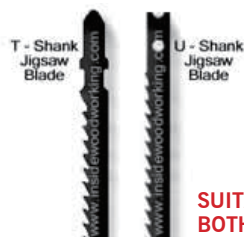
1. Variable speed trigger for precision speed and control.
2. Electric brake quickly stops the blade motion.
3. 4-Position orbital action for cutting versatility in a variety of materials.
4. Adjustable shoe bevels from 0 - 45 degrees (left/right).
5. Tool-less blade change allows for fast blade changes; accepts "T" and "U" shank Jigsaw blades.
6. LED work light.

### SPEC

VARIABLE SPEEDS 0-2,200 SPM( No-load)  
STROKE LENGTH 1"

### CUTTING CAPACITY:

2-1/2" (Wood); 3/8" (Aluminum); 1/4" (Steel)



SUITABLE FOR BOTH T&U SHANK



# DG-585502A

## 5" Angle Grinder

Key Spec:

- Power: 20V
- No Load Speed: 8000RPM
- Cutting Disk: 125mm (NOT INCLUDED)
- Spindle thread: M14

Accessories:

- 5.0Ah battery x 2pcs
- Charger x 1pc
- Guard spanner x 1pc
- Aux handle x 1pc
- Packaging: color box charger x 1pc
- Packaging: color box



## FEATURES

1. Tool-less adjustable guard for quick and easy adjustments.
2. Spindle lock for quick and easy disc changes.
3. 2-Position handle.
4. Lock-on switch for continuous operation



**AIR  
IMPACT  
WRENCH**

# **AIR IMPACT WRENCH**



## TOP SALES



# NC-4255Q NC-4265Q

**1/2" DRIVE AIR IMPACT WRENCH** Twin Hammer Type  
Air inlet : 1/4"

NC-4265 is equipped with 2" extended anvil

8 pieces in one carton



PATENT GREASE HOLE

FOR EZ GREASE VERSION ONLY

# NC-4255QP NC-4255QHP

(EZ GREASE ANVIL)

WITH PROTECTIVE COVER INSIDE

8 pieces in one carton

## FEATURES

- The front housing & back head cover made by magnesium alloy
- Durability composite material



PATENT GREASE HOLE

FOR EZ GREASE VERSION ONLY

# NC-4255QH

EZ GREASE ANVIL



## "IMPOSSIBLE"

Is Not A Big Word Anymore

The world's lightest and most powerful

# NC-4255PVC

PROTECTIVE COVER



|           | Square Drive<br>Inch | Bolt Capacity<br>Inch (mm) | Torque Range<br>FT-LB (Nm) | Max Torque<br>FT-LB Nm | Free Speed<br>R.P.M | Avg. Air Consumption<br>CFM (L/min) | Air Pressure<br>PSI (bar) | Overall Length<br>Inch (mm) | Net Weight<br>LBS kg | Air Hose<br>Inch | Sound Pressure<br>dBA | Vibration Level<br>m/s <sup>2</sup> |
|-----------|----------------------|----------------------------|----------------------------|------------------------|---------------------|-------------------------------------|---------------------------|-----------------------------|----------------------|------------------|-----------------------|-------------------------------------|
| NC-4255Q  | 1/2"                 | 1"(25)                     | 200-800(271-1085)          | 1200 1627              | 8500                | 4.8(136)                            | 90(6.3)                   | 7-1/32"(179)                | 3.7 1.70             | 3/8"             | 85.0                  | 4.7                                 |
| NC-4255QP | 1/2"                 | 1"(25)                     | 200-800(271-1085)          | 1200 1627              | 8500                | 4.8(136)                            | 90(6.3)                   | 7-1/32"(179)                | 4.0 1.80             | 3/8"             | 85.0                  | 4.7                                 |
| NC-4255QH | 1/2"                 | 1"(25)                     | 200-800(271-1085)          | 1200 1627              | 8500                | 4.8(136)                            | 90(6.3)                   | 7-1/32"(179)                | 3.7 1.70             | 3/8"             | 85.0                  | 4.7                                 |
| NC-4265Q  | 1/2"                 | 1"(25)                     | 200-800(271-1085)          | 1200 1627              | 8500                | 4.8(136)                            | 90(6.3)                   | 9-1/32"(230.5)              | 4.0 1.80             | 3/8"             | 85.0                  | 4.7                                 |

# AIR IMPACT WRENCH

AIR IMPACT WRENCH



## NC-3610Q

**3/8" DRIVE AIR IMPACT WRENCH**

Jumbo Hammer Type  
Air inlet : 1/4"

10 pieces in one carton



## NC-3210

**3/8" DRIVE AIR IMPACT WRENCH**

Twin Hammer Type  
Air inlet : 1/4"

10 pieces in one carton



## NC-3831

**3/8" DRIVE AIR IMPACT WRENCH**

Twin Dog Type  
Air inlet : 1/4"

10 pieces in one carton



## NC-398 NC-498

**3/8" & 1/2" DRIVE AIR ANGLE IMPACT WRENCH**

Jumbo Hammer Type Air inlet : 1/4"

10 pieces in one carton



## NC-3410

**3/8" DRIVE AIR IMPACT WRENCH**

Rocking Dog Type  
Air inlet : 1/4"

20 pieces in one carton



## NC-3810

**3/8" DRIVE AIR IMPACT WRENCH**

Twin Dog Type  
Air inlet : 1/4"  
 • Butterfly type forward/reverse trigger  
 • 180 degree turnaround air inlet  
 • Three speed adjusting switch

20 pieces in one carton



Air impact wrench



## NC-3910

**3/8" DRIVE AIR IMPACT WRENCH**

Twin Dog Type  
Air inlet : 1/4"

12 pieces in one carton



## NC-3911

**3/8" DRIVE AIR IMPACT WRENCH**

Twin Dog Type  
Air inlet : 1/4"

12 pieces in one carton



## RA-111

**3/8" DRIVE AIR IMPACT WRENCH**

Twin Hammer Type  
Air inlet : 1/4"

20 pieces in one carton



## NC-3812

**3/8" DRIVE AIR IMPACT WRENCH**

Twin Dog Type  
Air inlet : 1/4"

12 pieces in one carton



|          | Square Drive | Bolt Capacity | Torque Range     | Max Torque |     | Free Speed | Avg. Air Consumption | Air Pressure | Overall Length  | Net Weight |      | Air Hose | Sound Pressure | Vibration Level  |
|----------|--------------|---------------|------------------|------------|-----|------------|----------------------|--------------|-----------------|------------|------|----------|----------------|------------------|
|          | Inch         | Inch (mm)     | FT-LB (Nm)       | FT-LB      | Nm  | R.P.M      | CFM (L/min)          | PSI (bar)    | Inch (mm)       | LBS        | kg   | Inch     | dBA            | m/s <sup>2</sup> |
| NC-3210  | 3/8"         | 1/2"(13)      | 100-300(136-407) | 350        | 474 | 10000      | 4.0(113)             | 90 (6.3)     | 5-5/8" (142)    | 3.3        | 1.50 | 3/8"     | 92.1           | 3.6              |
| NC-3410  | 3/8"         | 3/8"(10)      | 5-50(7-68)       | 75         | 102 | 10000      | 2.5(71)              | 90 (6.3)     | 6-1/4" (159)    | 1.7        | 0.80 | 3/8"     | 92.1           | 3.6              |
| NC-3610Q | 3/8"         | 1/2"(13)      | 100-300(136-407) | 350        | 474 | 8000       | 4.4(124)             | 90 (6.3)     | 4-9/16" (155.5) | 3.3        | 1.50 | 3/8"     | 85.0           | 2.8              |
| NC-3810  | 3/8"         | 3/8"(10)      | 5-50(7-68)       | 75         | 102 | 11000      | 2.3(65)              | 90 (6.3)     | 5-15/32" (139)  | 1.1        | 0.50 | 3/8"     | 91.0           | 3.6              |
| NC-3812  | 3/8"         | M10~M12       | 60-120(81-162)   | 180        | 244 | 8000       | 10(283)              | 90 (6.3)     | 7-31/64" (190)  | 2.3        | 1.06 | 3/8"     | 97.0           | 5.1              |
| NC-3831  | 3/8"         | 15/32"(M12)   | 80-120(108-162)  | 180        | 244 | 8000       | 10(283)              | 90 (6.3)     | 7-9/32" (185)   | 2.9        | 1.34 | 3/8"     | 93.0           | 4.9              |
| NC-3910  | 3/8"         | 5/16"(8)      | 5-37(7-50)       | 66         | 90  | 8500       | 8.5(240)             | 90 (6.3)     | 10-7/16"(265)   | 3.5        | 1.60 | 3/8"     | 90.0           | 5.1              |
| NC-3911  | 3/8"         | 3/8"(10)      | 5-44(7-60)       | 96         | 130 | 7000       | 7.0(198)             | 90 (6.3)     | 9-7/16"(240)    | 3.5        | 1.60 | 3/8"     | 90.0           | 5.1              |
| RA-111   | 3/8"         | 5/16" (8)     | 3.7-36.9(5-50)   | 50         | 68  | 8500       | 8.5(255)             | 90 (6.3)     | 8-1/4"(208)     | 2.2        | 1.0  | 3/8"     | 96.7           | 4.9              |
| NC-398   | 3/8"         | 9/16"(14)     | 50-200(68-271)   | 300        | 405 | 6500       | 4.2(119)             | 90(6.3)      | 9-3/4"(247)     | 3.0        | 1.37 | 3/8"     | 85.0           | 2.0              |
| NC-498   | 1/2"         | 5/8"(16)      | 80-300(108-405)  | 400        | 542 | 6500       | 4.2(119)             | 90(6.3)      | 9-3/4"(247)     | 3.0        | 1.37 | 3/8"     | 85.0           | 2.0              |

# AIR IMPACT WRENCH

AIR IMPACT WRENCH



## NC-4233Q NC-4233QH (EZ GREASE ANVIL)

**1/2" DRIVE AIR IMPACT WRENCH** Twin Hammer Type Air inlet : 1/4"



- Rotor blades attached with springs which prolong durability.
- Shorter air inlet path to boost air efficiency
- simple mechanism for easy maintenance
- Air inlet 360 degree swivel.
- Composite material light design
- 3 setting forward power regulator for controlled run up.



**45%**  
Lighter

PATENT GREASE HOLE

FOR EZ GREASE VERSION ONLY



Exhaust



## NC-4233TL (TORQUE LIMITED)

**1/2" DRIVE AIR IMPACT WRENCH**

Twin Hammer Type Air inlet : 1/4"

**8** pieces in one carton

- Forward operation torque is limited 50 ~ 80 Nm for vehicle tire service.
- 6 rotor-blades makes efficient starting torque.



Exhaust



## NC-4236 NC-4236Q

**1/2" DRIVE AIR IMPACT WRENCH**

Twin Hammer Type Air inlet : 1/4"

**8** pieces in one carton

**60%**  
more Powerful



Exhaust



# NC-4610 NC-4610Q

**1/2" DRIVE AIR IMPACT WRENCH** Jumbo Hammer Type  
Air inlet : 1/4"

- Best in class performance for a tool of just 115.5 mm long and weight 1.6 Kg.
- The minimum size of this tool will allow greater access to tight and limited spaces.
- Small but with greater power. Reach 450-ft-lb in just 5 seconds.
- Low noise sound level 85 db.
- Common application to narrow working place and Agricultural maintenance.
- Powerful yet compact.

10 pieces in one carton

**64%** Lighter  
**60%** Shorter



# NC-4256 NC-4256Q NC-4266

**1/2" DRIVE AIR IMPACT WRENCH**

Twin Hammer Type  
Air inlet : 1/4"  
NC-4266 is equipped with 2" extended anvil

10 pieces in one carton



# NC-4258

**1/2" DRIVE AIR IMPACT WRENCH**

Twin Hammer Type  
Air inlet : 1/4"

8 pieces in one carton



|           | Square Drive | Bolt Capacity | Torque Range      | Max Torque |      | Free Speed | Avg. Air Consumption | Air Pressure | Overall Length | Net Weight |      | Air Hose | Sound Pressure | Vibration Level  |
|-----------|--------------|---------------|-------------------|------------|------|------------|----------------------|--------------|----------------|------------|------|----------|----------------|------------------|
|           | Inch         | Inch (mm)     | FT-LB (Nm)        | FT-LB      | Nm   | R.P.M      | CFM (L/min)          | PSI (bar)    | Inch (mm)      | LBS        | kg   | Inch     | dBA            | m/s <sup>2</sup> |
|           |              |               |                   |            |      |            |                      |              |                |            |      |          |                |                  |
| NC-4233Q  | 1/2"         | 3/4"(19)      | 200-500(271-678)  | 850        | 1152 | 9000       | 4.6(132)             | 90(6.3)      | 7-1/2"(190)    | 4.6        | 2.10 | 3/8"     | 85.0           | 4.4              |
| NC-4233QH | 1/2"         | 3/4"(19)      | 200-500(271-678)  | 850        | 1152 | 9000       | 4.6(132)             | 90(6.3)      | 7-1/2"(190)    | 4.6        | 2.10 | 3/8"     | 85.0           | 4.4              |
| NC-4233TL | 1/2"         | 3/4"(19)      | 37-59(50-80)      | 850        | 1152 | 2800       | 4.6(132)             | 90(6.3)      | 7-1/2"(190)    | 4.6        | 2.10 | 3/8"     | 85.0           | 4.4              |
| NC-4236   | 1/2"         | 1"(25)        | 200-700(271-949)  | 1000       | 1350 | 7500       | 5.5(155)             | 90(6.3)      | 6-45/64"(171)  | 5.7        | 2.60 | 3/8"     | 87.0           | 4.5              |
| NC-4236Q  | 1/2"         | 1"(25)        | 200-700(271-949)  | 1000       | 1350 | 7500       | 5.5(155)             | 90(6.3)      | 6-45/64"(171)  | 5.7        | 2.60 | 3/8"     | 83.0           | 4.5              |
| NC-4256   | 1/2"         | 1"(25)        | 200-900(271-1220) | 1100       | 1491 | 7000       | 5.1(144)             | 90(6.3)      | 5-9/16"(141)   | 4.0        | 1.80 | 3/8"     | 95.0           | 2.8              |
| NC-4256Q  | 1/2"         | 1"(25)        | 200-900(271-1220) | 1000       | 1356 | 7000       | 5.1(144)             | 90(6.3)      | 5-9/16"(141)   | 4.0        | 1.80 | 3/8"     | 85.0           | 2.8              |
| NC-4266   | 1/2"         | 1"(25)        | 200-900(271-1220) | 1000       | 1356 | 7000       | 5.1(144)             | 90(6.3)      | 7-9/16"(191)   | 4.2        | 1.90 | 3/8"     | 85.0           | 2.8              |
| NC-4610   | 1/2"         | 5/8"(16)      | 200-350(271-475)  | 450        | 610  | 9000       | 4.4(124)             | 90(6.3)      | 4-9/16"(115.5) | 3.5        | 1.60 | 3/8"     | 93.0           | 2.8              |
| NC-4610Q  | 1/2"         | 5/8"(16)      | 200-350(271-475)  | 400        | 542  | 9000       | 4.4(124)             | 90(6.3)      | 4-9/16"(115.5) | 3.5        | 1.60 | 3/8"     | 85.0           | 2.8              |
| NC-4258   | 1/2"         | 5/8"(16)      | 150-300(203-407)  | 400        | 542  | 7000       | 4.2(119)             | 90(6.3)      | 7-1/4"(185)    | 5.6        | 2.50 | 3/8"     | 93.0           | 4.4              |



# AIR IMPACT WRENCH



## NC-4650 NC-4650H

**1/2" DRIVE AIR IMPACT WRENCH** Jumbo Hammer Type  
Air inlet : 1/4"

10 pieces in one carton

### FEATURES

- + Ergonomic design, lightweight 1.4kg
- + Excellent Max torque 900NM(650FT/LB)
- + Mini type with overall length 104mm, ultralight and easy to use.

## NC-4650H

EZ GREASE



PATENT GREASE HOLE FOR EZ GREASE VERSION ONLY



## NC-4611Q

**1/2" DRIVE AIR IMPACT WRENCH**

Jumbo Hammer Type  
Air inlet : 1/4"

*m7 3rd generation super mini in length 111mm.*

10 pieces in one carton



## NC-4620QN

**1/2" DRIVE AIR IMPACT WRENCH**

Jumbo Hammer Type  
Air inlet : 1/4"

10 pieces in one carton

- 2" Extended Anvil matching special double sided socket 17mm & 19mm and 21mm & 22mm specifically for automotive tyres.
- Reduce physical loading 40%.



## NC-4630 NC-4630Q

**1/2" DRIVE AIR IMPACT WRENCH**

Jumbo Hammer Type  
Air inlet : 1/4"

10 pieces in one carton

**68%** Lighter  
**60%** Shorter



## NC-4811

**1/2" DRIVE AIR IMPACT WRENCH**

Twin Dog Type  
Air inlet : 1/4"

12 pieces in one carton

Exhaust





# NC-4210N

**1/2" DRIVE AIR IMPACT WRENCH**

Twin Hammer Type Air inlet : 1/4"

**10** pieces in one carton

- stubby impact sockets, 6 points:5pcs 13,17,19,22,24 mm



# NC-4610N

**1/2" DRIVE AIR IMPACT WRENCH**

Junbo Hammer Type Air inlet : 1/4"

**10** pieces in one carton

- stubby impact sockets, 6 points:5pcs 13,17,19,22,24 mm



|           | Square Drive | Bolt Capacity | Torque Range      | Max Torque |     | Free Speed | Avg. Air Consumption | Air Pressure | Overall Length | Net Weight |      | Air Hose | Sound Pressure | Vibration Level  |
|-----------|--------------|---------------|-------------------|------------|-----|------------|----------------------|--------------|----------------|------------|------|----------|----------------|------------------|
|           | Inch         | Inch (mm)     | FT-LB (Nm)        | FT-LB      | Nm  | R.P.M      | CFM (L/min)          | PSI (bar)    | Inch (mm)      | LBS        | kg   | Inch     | dBA            | m/s <sup>2</sup> |
|           |              |               |                   |            |     |            |                      |              |                |            |      |          |                |                  |
| NC-4650   | 1/2"         | 5/8"(16)      | 180-400(244-542)  | 650        | 900 | 9000       | 4.69(132.8)          | 90(6.3)      | 4-1/16"(104)   | 3.3        | 1.40 | 3/8"     | 95.0           | 2.4              |
| NC-4650H  | 1/2"         | 5/8"(16)      | 180-400(244-542)  | 650        | 900 | 9000       | 4.69(132.8)          | 90(6.3)      | 4-1/16"(104)   | 3.3        | 1.40 | 3/8"     | 95.0           | 2.4              |
| NC-4611Q  | 1/2"         | 5/8"(16)      | 200-350(271-475)  | 450        | 610 | 10000      | 4.0(113)             | 90(6.3)      | 4-3/8"(111)    | 3.3        | 1.50 | 3/8"     | 85.0           | 2.8              |
| NC-4620QN | 1/2"         | 5/8"(16)      | 200-350(271-475)  | 450        | 610 | 9000       | 4.4(124)             | 90(6.3)      | 6-9/16"(166)   | 3.7        | 1.70 | 3/8"     | 85.0           | 2.8              |
| NC-4630   | 1/2"         | 5/8"(16)      | 100-400(136-475)  | 550        | 746 | 10000      | 4.4(124)             | 90(6.3)      | 3-27/32"(97)   | 3.3        | 1.50 | 3/8"     | 96.0           | 2.8              |
| NC-4630Q  | 1/2"         | 5/8"(16)      | 100-400(136-475)  | 550        | 746 | 10000      | 4.4(124)             | 90(6.3)      | 3-27/32"(97)   | 3.3        | 1.50 | 3/8"     | 85.0           | 2.8              |
| NC-4811   | 1/2"         | 9/16"(M14)    | 100-140 (136-189) | 200        | 271 | 5500       | 8.5(240)             | 90(6.3)      | 10-9/32" (260) | 3.7        | 1.70 | 3/8"     | 85.0           | 5.3              |
| NC-4210N  | 1/2"         | 5/8"(16)      | 150-350(203-475)  | 400        | 542 | 10000      | 4.2(119)             | 90(6.3)      | 5-5/8"(142)    | 3.5        | 1.60 | 3/8"     | 90.6           | 2.8              |
| NC-4610N  | 1/2"         | 5/8"(16)      | 200-350(271-475)  | 450        | 610 | 9000       | 4.4(124)             | 90(6.3)      | 4-9/16"(115.5) | 3.5        | 1.60 | 3/8"     | 93.0           | 2.8              |

# AIR IMPACT WRENCH

AIR IMPACT WRENCH



## NC-4130

**1/2" DRIVE AIR IMPACT WRENCH**

Pin clutch Type  
Air inlet : 1/4"

10 pieces in one carton



- Low vibration for working
- Clutch delivers smooth and comfortable operation
- Mini size tool body ,ultralight and easy use.
- One-handed forward / reverse button with 3 position power settings
- Compact and ergonomic design with rubber grip
- General Maintenance
- Robust housing and oil bath clutch provide durability Versatile tool
- ideal for all general repairs and maintenance applications



## NC-4232Q

**1/2" DRIVE AIR IMPACT WRENCH**

Twin Hammer Type  
Air inlet : 1/4"

10 pieces in one carton



## WON PTEN Air tools U.S.A

- Sophisticated and powerful tool: m7's most advanced composite mini air impact wrench that can use in narrow space.
- Unbelievable light and compact with only 1.35kg
- Quiet series: sound pressure only 83 DbA
- "m7's unique lazy design" that can operate forward/reverse switch with one hand.
- Twin-hammer impact mechanism provides more torque power and stability, and balanced impact can reduce the vibration.
- Ergonomic switch design well suited for operator's hand that provides fingers with most comfortability and controllability.
- m7's unique shark fin shaped body design that creates an esthetics of speed and explosiveness.



## NC-4210

**1/2" DRIVE AIR IMPACT WRENCH**

Twin Hammer Type  
Air inlet : 1/4"

10 pieces in one carton



## NC-4230 NC-4230Q NC-4240

**1/2" DRIVE AIR IMPACT WRENCH**

Twin Hammer Type  
Air inlet : 1/4"

NC-4240 is equipped with 2" extended anvil

8 pieces in one carton





# NC-4216 NC-4226

**1/2" DRIVE AIR  
IMPACT WRENCH**

Twin Hammer Type

Air inlet : 1/4"

NC-4226 is equipped with 2" extended anvil

**45%**  
Lighter

10 pieces in one carton



# NC-4230NE

5 Sets in one carton

**1/2" DRIVE AIR  
IMPACT WRENCH & RATCHET WRENCH**

Twin Hammer Type

Air inlet : 1/4"

- NC-4230 :1/2" Drive Air Impact Wrench Twin Hammer
- NE-432 :1/2" Push Air Ratchet Wrench
- 1/4" Air Adaptor Couplings Male Thread Type
- Mini socket set, size:13,17,19,22,24mm



|          | Square Drive | Bolt Capacity | Torque Range     | Max Torque |     | Free Speed | Avg. Air Consumption | Air Pressure | Overall Length | Net Weight |      | Air Hose | Sound Pressure | Vibration Level  |
|----------|--------------|---------------|------------------|------------|-----|------------|----------------------|--------------|----------------|------------|------|----------|----------------|------------------|
|          | Inch         | Inch (mm)     | FT-LB (Nm)       | FT-LB      | Nm  | R.P.M      | CFM (L/min)          | PSI (bar)    | Inch (mm)      | LBS        | kg   | Inch     | dBA            | m/s <sup>2</sup> |
| NC-4130  | 1/2"         | 5/8"(16)      | 180-400(244-542) | 600        | 813 | 9000       | 4.5(127)             | 90(6.3)      | 5-9/16"(142)   | 3.55       | 1.61 | 3/8"     | 93             | 1.2              |
| NC-4210  | 1/2"         | 5/8"(16)      | 150-350(203-475) | 400        | 542 | 10000      | 4.2(119)             | 90 (6.3)     | 5-5/8"(142)    | 3.5        | 1.60 | 3/8"     | 90.6           | 2.8              |
| NC-4230  | 1/2"         | 3/4"(19)      | 180-500(244-678) | 700        | 949 | 7500       | 4.5(127)             | 90(6.3)      | 5-15/32"(164)  | 5.5        | 2.50 | 3/8"     | 87             | 4.5              |
| NC-4230Q | 1/2"         | 3/4"(19)      | 180-500(244-678) | 650        | 881 | 6500       | 4.5(127)             | 90(6.3)      | 6-15/32"(164)  | 5.5        | 2.50 | 3/8"     | 85             | 4.5              |
| NC-4232Q | 1/2"         | 5/8"(16)      | 100-400(136-542) | 550        | 746 | 10000      | 4.0(113)             | 90(6.3)      | 4-3/4"(120)    | 3.0        | 1.38 | 3/8"     | 83             | 3.7              |
| NC-4240  | 1/2"         | 3/4"(19)      | 180-500(244-678) | 700        | 949 | 7500       | 4.5(127)             | 90(6.3)      | 8-15/32"(215)  | 5.7        | 2.60 | 3/8"     | 87             | 4.5              |
| NC-4216  | 1/2"         | 5/8"(16)      | 180-400(244-542) | 650        | 881 | 9000       | 4.2(119)             | 90(6.3)      | 7-3/4"(195)    | 4.4        | 2.00 | 3/8"     | 93.9           | 4.5              |
| NC-4226  | 1/2"         | 5/8"(16)      | 180-400(244-542) | 650        | 881 | 9000       | 4.2(119)             | 90(6.3)      | 8-7/8"(225)    | 4.8        | 2.20 | 3/8"     | 93.9           | 4.5              |

# AIR IMPACT WRENCH

## NC-4255PVC

Protective cover



The NC-4255PVC Protective cover can apply on NC-6255



## NC-6255Q NC-6255QH

**3/4" DRIVE AIR IMPACT WRENCH** Twin Hammer Type  
Air inlet : 1/4"

- Light weight 1.9kg
- The front housing & back head cover made by magnesium alloy
- Durability composite material

8 pieces in one carton



PATENT GREASE HOLE FOR EZ GREASE VERSION ONLY

EZ GREASE



Exhaust



## NC-6236 NC-6236Q

**3/4" DRIVE AIR IMPACT WRENCH**

Twin Hammer Type  
Air inlet : 1/4"

**33%**  
Lighter

- Ultimate power reach 1200 ft-lb under 5seconds.
- Does the toughest job efficiently with industrial level quality & durability.

8 pieces in one carton



Exhaust



## NC-6210 / 6210Q NC-6220

**3/4" DRIVE AIR IMPACT WRENCH**

Twin Hammer Type  
Air inlet : 1/4"

**76%**  
Lighter

NC-6220 is equipped with 6" extended anvil

8 pieces in one carton



Exhaust



# NC-6266 NC-6266-6

## 3/4" DRIVE AIR IMPACT WRENCH

Twin Hammer Type

Air inlet : 3/8"

NC-6266-6 is equipped with 6" extended anvil

6 pieces in one carton

- Torque output 1500ft-lb reached in 5 seconds.
- Light weight 2.95kg.
- The front housing and back head cover made by magnesium alloy.
- Durability composite material.
- Special alloy steel impact mechanism to keep longer life time.



**MIGHTY POWER  
MIGHTY LIGHT**



# NC-6217

## 3/4" DRIVE AIR IMPACT WRENCH

Twin Hammer Type

Air inlet : 3/8"

4 pieces in one carton

- Alloy steel forward/reverse switch
- torque output 1400ft-lb reached in 5 seconds
- Special Alloy Steel impact mechanism to keep longer life time.



# NC-6213

## 3/4" DRIVE AIR IMPACT WRENCH

Twin Hammer Type

Air inlet : 3/8"

5 pieces in one carton

- Composite material



|           | Square Drive | Bolt Capacity | Torque Range       | Max Torque |      | Free Speed | Avg. Air Consumption | Air Pressure | Overall Length  | Net Weight |      | Air Hose | Sound Pressure | Vibration Level  |
|-----------|--------------|---------------|--------------------|------------|------|------------|----------------------|--------------|-----------------|------------|------|----------|----------------|------------------|
|           | Inch         | Inch (mm)     | FT-LB (Nm)         | FT-LB      | Nm   | R.P.M      | CFM (L/min)          | PSI (bar)    | Inch (mm)       | LBS        | kg   | Inch     | dBA            | m/s <sup>2</sup> |
|           |              |               |                    |            |      |            |                      |              |                 |            |      |          |                |                  |
| NC-6217   | 3/4"         | 1-1/4"(30)    | 200-1300(271-1762) | 1400       | 1898 | 4800       | 5.4(153)             | 90(6.3)      | 8-15/32" (215)  | 11.0       | 5.00 | 1/2"     | 92.0           | 6.1              |
| NC-6213   | 3/4"         | 1-1/16"(27)   | 200-1000(271-1356) | 1200       | 1627 | 6000       | 6.9(195)             | 90(6.3)      | 9-7/16" (239)   | 8.5        | 3.88 | 1/2"     | 92.0           | 5.0              |
| NC-6210   | 3/4"         | 3/4"(19)      | 180-600(244-810)   | 700        | 1017 | 7500       | 4.5(127)             | 90(6.3)      | 6-45/64" (170)  | 5.6        | 2.55 | 3/8"     | 87.0           | 4.5              |
| NC-6210Q  | 3/4"         | 3/4"(19)      | 180-600(244-810)   | 700        | 1017 | 6500       | 4.5(127)             | 90(6.3)      | 6-45/64" (170)  | 5.6        | 2.55 | 3/8"     | 85.0           | 4.5              |
| NC-6220   | 3/4"         | 3/4"(19)      | 180-600(244-810)   | 750        | 1017 | 7500       | 4.5(127)             | 90(6.3)      | 12-23/32" (323) | 6.7        | 3.08 | 3/8"     | 85.0           | 4.5              |
| NC-6236   | 3/4"         | 1"(25)        | 200-900(271-1220)  | 1200       | 1627 | 7500       | 5.5(155)             | 90(6.3)      | 6-45/64" (171)  | 5.9        | 2.68 | 3/8"     | 87.0           | 4.5              |
| NC-6236Q  | 3/4"         | 1"(25)        | 200-900(271-1220)  | 1200       | 1627 | 7500       | 5.5(155)             | 90(6.3)      | 6-45/64" (171)  | 5.9        | 2.68 | 3/8"     | 83.0           | 4.5              |
| NC-6255Q  | 3/4"         | 1"(25)        | 200-1100(271-1491) | 1400       | 1890 | 8500       | 4.8(136)             | 90(6.3)      | 7-13/16" (198)  | 4.2        | 1.90 | 3/8"     | 85.0           | 4.7              |
| NC-6255QH | 3/4"         | 1"(25)        | 200-1100(271-1491) | 1400       | 1898 | 8500       | 4.8(136)             | 90(6.3)      | 7-13/16" (198)  | 4.2        | 1.90 | 3/8"     | 85.0           | 4.7              |
| NC-6266   | 3/4"         | 1-1/4"(30)    | 200-1300(271-1760) | 1500       | 2034 | 6000       | 5.9(169)             | 90(6.3)      | 8-1/16" (205)   | 6.5        | 2.95 | 1/2"     | 88.0           | 5.9              |
| NC-6266-6 | 3/4"         | 1-1/4"(30)    | 200-1300(271-1760) | 1500       | 2034 | 6000       | 5.9(169)             | 90(6.3)      | 14-1/16" (355)  | 7.9        | 3.60 | 1/2"     | 88.0           | 5.9              |

# AIR IMPACT WRENCH



## NC-6113 / 6123

**3/4" DRIVE AIR IMPACT WRENCH** Pin Clutch Type  
Air inlet : 1/4"

NC-6123 is equipped with 6" extended anvil

4 pieces in one carton

- Common applications include maintenance of buses, trucks, farm machinery and construction equipment



## NC-6215 / 6225

**3/4" DRIVE AIR IMPACT WRENCH**

New Twin Hammer Type  
Air inlet : 1/4"

4 pieces in one carton

### FEATURES

- Light weight 1.8kg
- Balanced weighted body that offers comfort feeling



NC-6225 is equipped with 6" extended anvil



## NC-6216 / 6226

**3/4" DRIVE AIR IMPACT WRENCH** New Twin Hammer Type  
Air inlet : 3/8"

NC-6226 is equipped with 6" extended anvil

4 pieces in one carton

• Composite material  
**NC-6216PVC**  
Protective cover



**10%**  
Lighter



## NC-6218

**3/4" DRIVE AIR IMPACT WRENCH**

Twin Hammer Type  
Air inlet : 1/2"

2 pieces in one carton



## NC-8212

**1" DRIVE AIR IMPACT WRENCH**

New Twin Hammer Type  
Air inlet : 3/8"

4 pieces in one carton



## NC-8217

**1" DRIVE AIR IMPACT WRENCH**

Twin Hammer Type  
Air inlet : 3/8"

4 pieces in one carton



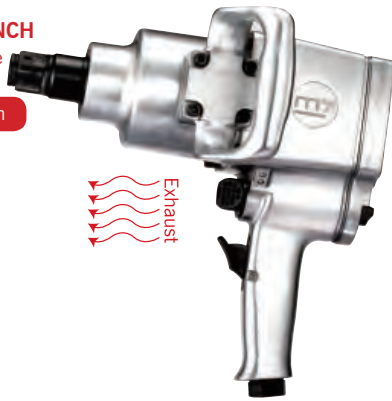


## NC-8219

### 1" DRIVE AIR IMPACT WRENCH

New Twin Hammer Type  
Air inlet : 1/2"

2 pieces in one carton



## NC-8237 / 8247

### 1" DRIVE AIR IMPACT WRENCH

Twin Hammer Type  
Air inlet : 3/8"

4 pieces in one carton



NC-8247 is equipped with 6" extended anvil



## NC-8266P / 8266P-6

### 1" DRIVE AIR IMPACT WRENCH

Twin Hammer Type  
Air inlet : 1/2"

4 pieces in one carton

**33%**  
Lighter

**38%**  
More Powerful



NC-8266-6 is equipped with 6" extended anvil



|            | Square Drive | Bolt Capacity | Torque Range       | Max Torque |      | Free Speed | Avg. Air Consumption | Air Pressure | Overall Length | Net Weight |      | Air Hose | Sound Pressure | Vibration Level  |
|------------|--------------|---------------|--------------------|------------|------|------------|----------------------|--------------|----------------|------------|------|----------|----------------|------------------|
|            | Inch         | Inch (mm)     | FT-LB (Nm)         | FT-LB      | Nm   | R.P.M      | CFM (L/min)          | PSI (bar)    | Inch (mm)      | LBS        | kg   | Inch     | dBA            | m/s <sup>2</sup> |
|            |              |               |                    |            |      |            |                      |              |                |            |      |          |                |                  |
| NC-6113    | 3/4"         | 1"(25)        | 150-600(203-814)   | 850        | 1153 | 4500       | 7.0(198)             | 90(6.3)      | 10" (252)      | 10.0       | 4.50 | 1/2"     | 94.3           | 7.2              |
| NC-6123    | 3/4"         | 1"(25)        | 150-600(203-814)   | 850        | 1163 | 4500       | 7.0(198)             | 90(6.3)      | 14-3/16" (350) | 11.6       | 5.30 | 1/2"     | 94.3           | 7.2              |
| NC-6225    | 3/4"         | 1"(25)        | 180-500(244-810)   | 900        | 1220 | 6500       | 7.0(198)             | 90(6.3)      | 13-3/4" (350)  | 10.8       | 4.90 | 1/2"     | 91.5           | 10.8             |
| NC-6215    | 3/4"         | 1"(25)        | 180-600(244-810)   | 900        | 1220 | 6500       | 7.0(198)             | 90(6.3)      | 9-7/32" (234)  | 10.0       | 4.50 | 1/2"     | 91.5           | 10.8             |
| NC-6216    | 3/4"         | 1-1/16"(27)   | 200-1000(271-1355) | 1200       | 1627 | 6000       | 6.0(169)             | 90(6.3)      | 9-1/4"(235)    | 9.0        | 4.10 | 1/2"     | 91.2           | 5.0              |
| NC-6218    | 3/4"         | 1-1/16"(27)   | 200-1400(271-1898) | 1500       | 2034 | 6000       | 6.3(182)             | 90(6.3)      | 12-9/16"(320)  | 12.5       | 5.70 | 1/2"     | 106.0          | 3.3              |
| NC-6226    | 3/4"         | 1-1/16"(27)   | 200-1000(271-1356) | 1200       | 1627 | 6000       | 6.0(170)             | 90(6.3)      | 13-3/4"(350)   | 9.9        | 4.50 | 3/8"     | 91.2           | 5.0              |
| NC-8212    | 1"           | 1-1/16"(27)   | 200-1000(271-1356) | 1300       | 1726 | 6000       | 6.0(170)             | 90(6.3)      | 9-1/4"(235)    | 9.6        | 4.40 | 1/2"     | 91.2           | 5.0              |
| NC-8217    | 1"           | 1-1/4"(30)    | 200-1300(271-1762) | 1500       | 2034 | 4800       | 5.4(153)             | 90(6.3)      | 8-3/4"(222)    | 11.0       | 5.00 | 1/2"     | 92.0           | 6.1              |
| NC-8219    | 1"           | 1-7/16"(36)   | 200-1600(271-2170) | 1800       | 2441 | 4000       | 11(311)              | 90(6.3)      | 12-13/32"(315) | 21.6       | 9.84 | 1/2"     | 103.4          | 16.7             |
| NC-8237    | 1"           | 1-3/8"(33)    | 200-1500(271-2034) | 1800       | 2441 | 4500       | 5.4(153)             | 90(6.3)      | 8-3/4"(222)    | 12.8       | 5.70 | 1/2"     | 92.0           | 6.1              |
| NC-8247    | 1"           | 1-3/8"(33)    | 200-1500(271-2034) | 1800       | 2441 | 4500       | 5.4(153)             | 90(6.3)      | 15-9/16"(395)  | 14.3       | 6.50 | 1/2"     | 92.0           | 6.1              |
| NC-8266P   | 1"           | 1-3/8"(35)    | 200-1800(270-2400) | 2300       | 3118 | 4500       | 5.4(153)             | 90(6.3)      | 10"(256)       | 13         | 5.90 | 1/2"     | 92.0           | 6.1              |
| NC-8266P-6 | 1"           | 1-3/8"(35)    | 200-1800(270-2400) | 2300       | 3118 | 4500       | 5.4(153)             | 90(6.3)      | 10"(256)       | 13.86      | 6.30 | 1/2"     | 92.0           | 6.1              |



# AIR IMPACT WRENCH

AIR IMPACT WRENCH



## NC-8343 NC-8343-8

**1" DRIVE AIR** Pin Less Type  
**IMPACT WRENCH** Air inlet : 1/2"  
NC-8343-8 is equipped with 8" extended anvil

- M7 UNIQUE SHARK SHAPE DESIGN ON BOTH SIDES
- NEW DESIGNED UP EXHAUST
- LOW VIBRATION OFFERS A SMOOTH OPERATION
- POWERFUL & DURABLE

1 piece in one carton



## NC-8211 NC-8221

**1" DRIVE AIR** Twin Hammer Type  
**IMPACT WRENCH** Air inlet : 1/2"  
NC-8221 is equipped with 6" extended anvil

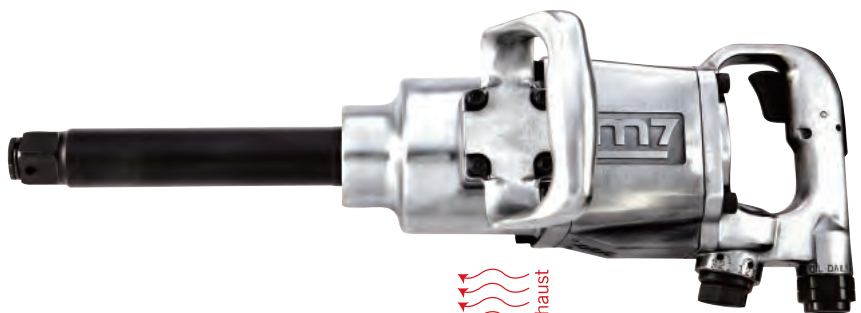
1 piece in one carton



## NC-8232

**1" DRIVE AIR** New Twin Hammer Type  
**IMPACT WRENCH** Air inlet : 1/2"

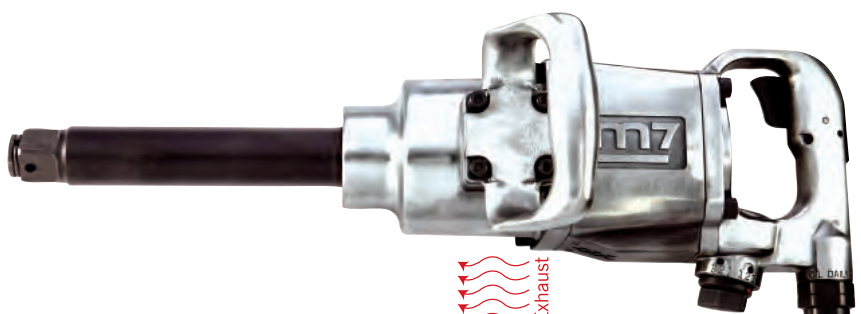
1 piece in one carton



## NC-8311 NC-8351

**1" DRIVE AIR** Pin Less Type  
**IMPACT WRENCH** Air inlet : 1/2"  
NC-8351 is equipped with 6" extended anvil

2 pieces in one carton





## NC-8216 NC-8226 NC-8226Q

**1" DRIVE AIR IMPACT WRENCH** Twin Hammer Type  
Air inlet : 1/2"

NC-8226 is equipped with 6" extended anvil

2 pieces in one carton

**48%**  
Lighter

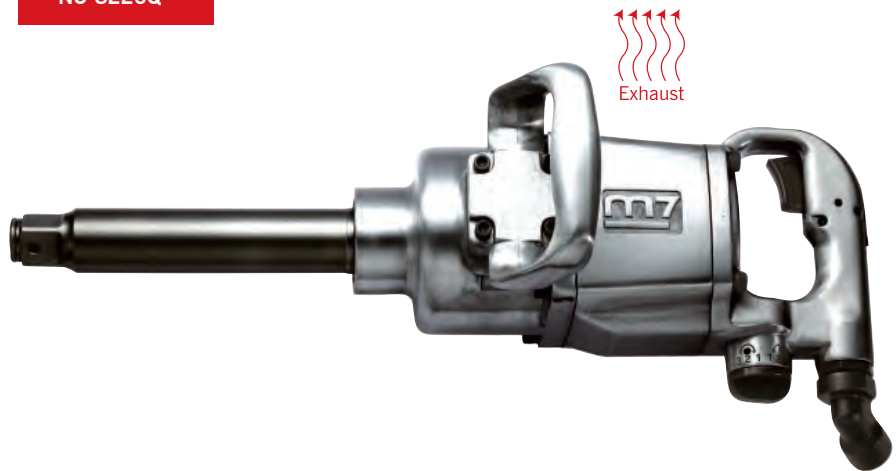


## NC-8341

**1" DRIVE AIR IMPACT WRENCH** Pin Less Type  
Air inlet : 1/2"

NC-8341 is equipped with 6" extended anvil

1 piece in one carton



|           | Square Drive | Bolt Capacity | Torque Range       | Max Torque | Free Speed | Avg. Air Consumption | Air Pressure | Overall Length | Net Weight     | Air Hose   | Sound Pressure | Vibration Level  |
|-----------|--------------|---------------|--------------------|------------|------------|----------------------|--------------|----------------|----------------|------------|----------------|------------------|
|           | Inch         | Inch (mm)     | FT-LB (Nm)         | FT-LB Nm   | R.P.M      | CFM (L/min)          | PSI (bar)    | Inch (mm)      | LBS kg         | Inch       | dBA            | m/s <sup>2</sup> |
|           |              |               |                    |            |            |                      |              |                |                |            |                |                  |
| NC-8216   | 1"           | 1-3/8"(33)    | 200-1600(271-2170) | 1800       | 2441       | 6000                 | 9.0(254)     | 90(6.3)        | 13-1/2"(343)   | 15.5 7.00  | 102.0          | 9.3              |
| NC-8226   | 1"           | 1-3/8"(33)    | 200-1600(271-2170) | 1800       | 2441       | 6000                 | 9.0(254)     | 90(6.3)        | 19-3/16"(487)  | 18.4 8.40  | 102.0          | 9.3              |
| NC-8226Q  | 1"           | 1-3/8"(33)    | 200-1600(271-2170) | 1800       | 2441       | 6000                 | 9.0(254)     | 90(6.3)        | 19-3/16"(487)  | 18.4 8.40  | 90             | 9.3              |
| NC-8211   | 1"           | 1-3/8"(33)    | 200-1600(271-2170) | 1800       | 2441       | 5000                 | 10.0(284)    | 90(6.3)        | 14-8/15"(370)  | 22.2 10.10 | 100.0          | 10.0             |
| NC-8221   | 1"           | 1-3/8"(33)    | 200-1600(271-2170) | 1800       | 2441       | 5000                 | 10.0(284)    | 90(6.3)        | 20-7/8"(530)   | 25.2 11.50 | 100.0          | 10.0             |
| NC-8232   | 1"           | 1-7/16"(36)   | 200-1600(271-2170) | 1800       | 2441       | 4000                 | 11.0(311)    | 90(6.3)        | 20-13/32"(518) | 24.8 11.30 | 102.0          | 11.5             |
| NC-8343   | 1"           | 1-3/8"(33)    | 200-1600(271-2170) | 1800       | 2441       | 3900                 | 11.5(325)    | 90(6.3)        | 15"(381)       | 27.7 12.56 | 103.0          | 6.3              |
| NC-8343-8 | 1"           | 1-3/8"(33)    | 200-1600(271-2170) | 1800       | 2441       | 3900                 | 11.5(325)    | 90(6.3)        | 23"(590)       | 30.6 13.9  | 103.0          | 6.3              |
| NC-8311   | 1"           | 1-3/8" (33)   | 200-1600(271-2170) | 1800       | 2441       | 4000                 | 11.5(325)    | 90(6.3)        | 15" (380)      | 24.0 10.90 | 101.0          | 7.3              |
| NC-8351   | 1"           | 1-3/8" (33)   | 200-1600(271-2170) | 1800       | 2441       | 4000                 | 11.5(325)    | 90(6.3)        | 20" (510)      | 27.6 12.50 | 101.0          | 7.3              |
| NC-8341   | 1"           | 1-3/8" (33)   | 200-1600(271-2170) | 1800       | 2441       | 4000                 | 11.5(325)    | 90(6.3)        | 20" (510)      | 27.6 12.50 | 97.0           | 6.3              |

# AIR IMPACT WRENCH

AIR IMPACT WRENCH



## NC-8382 NC-8382-8

**1" DRIVE AIR** Pin Less Type  
**IMPACT WRENCH** Air inlet : 1/2"  
NC-8382-8 is equipped with 8" extended anvil



**38%**  
more  
Powerful

**40%**  
Lighter

- Max. torque 2500 ft-lb (reverse in 5 seconds).
- Weight 30% less comparing with equal torque output models to reduce physical loading 30%.
- Torque output 38% higher comparing with equal weight models.
- Two-stage trigger for easier operation.

**NC-8382** 2 pieces in one carton

**NC-8382-8** 1 piece in one carton



## NC-8242 NC-8242-8

**1" DRIVE AIR** Twin Hammer Type  
**IMPACT WRENCH** Air inlet : 1/2"  
NC-8242-8 is equipped with 8" extended anvil

**NC-8242** 2 pieces in one carton

**NC-8242-8** 1 piece in one carton



## NC-8252 NC-8262

**1" DRIVE AIR** Twin Hammer Type  
**IMPACT WRENCH** Air inlet : 1/2"  
NC-8262 is equipped with 6" extended anvil

**1** piece in one carton





## NC-8322 NC-8342

**1" DRIVE AIR** Pin Less Type  
**IMPACT WRENCH** Air inlet : 1/2"  
NC-8342 is equipped with 8" extended anvil  
1 piece in one carton



## NC-8362 NC-8372

**1" DRIVE AIR** Pin Less Type  
**IMPACT WRENCH** Air inlet : 1/2"  
NC-8372 is equipped with 6" extended anvil  
1 piece in one carton



## NC-9223 NC-9243

**1-1/2" DRIVE AIR** New Twin Hammer Type  
**IMPACT WRENCH** Air inlet : 1/2"  
NC-9243 is equipped with 8" extended anvil  
1 piece in one carton



|           | Square Drive | Bolt Capacity | Torque Range       | Max Torque |      | Free Speed | Avg. Air Consumption | Air Pressure | Overall Length | Net Weight |       | Air Hose | Sound Pressure | Vibration Level  |
|-----------|--------------|---------------|--------------------|------------|------|------------|----------------------|--------------|----------------|------------|-------|----------|----------------|------------------|
|           | Inch         | Inch (mm)     | FT-LB (Nm)         | FT-LB      | Nm   | R.P.M      | CFM (L/min)          | PSI (bar)    | Inch (mm)      | LBS        | kg    | Inch     | dBA            | m/s <sup>2</sup> |
|           |              |               |                    |            |      |            |                      |              |                |            |       |          |                |                  |
| NC-8382   | 1"           | 1-9/16"(40)   | 200-2000(271-2710) | 2500       | 3390 | 5000       | 15.9(450)            | 90(6.3)      | 14-17/32"(370) | 22.0       | 11.00 | 1/2"     | 100.0          | 6.4              |
| NC-8382-8 | 1"           | 1-9/16"(40)   | 200-2000(271-2710) | 2500       | 3390 | 5000       | 15.9(450)            | 90(6.3)      | 22-15/32"(570) | 27.5       | 12.50 | 1/2"     | 100.0          | 6.4              |
| NC-8242   | 1"           | 1-9/16"(40)   | 200-2000(271-2710) | 2500       | 3390 | 5000       | 15.9(450)            | 90(6.3)      | 14-17/32"(370) | 23.1       | 10.50 | 1/2"     | 100.0          | 6.4              |
| NC-8242-8 | 1"           | 1-9/16"(40)   | 200-2000(271-2710) | 2500       | 3390 | 5000       | 15.9(450)            | 90(6.3)      | 22-15/32"(570) | 26.2       | 11.90 | 1/2"     | 100.0          | 6.4              |
| NC-8252   | 1"           | 1-7/16"(36)   | 200-2000(271-2170) | 2400       | 3250 | 4000       | 10.0(284)            | 90(6.3)      | 15-3/8"(390)   | 26.6       | 12.10 | 1/2"     | 100.0          | 10.0             |
| NC-8262   | 1"           | 1-7/16"(36)   | 200-2000(271-2170) | 2400       | 3250 | 4000       | 10.0(284)            | 90(6.3)      | 22"(560)       | 29.7       | 13.50 | 1/2"     | 100.0          | 10.0             |
| NC-8322   | 1"           | 1-7/16"(36)   | 200-2000(271-2170) | 2500       | 3390 | 3300       | 11.0(311)            | 90(6.3)      | 17-5/16"(440)  | 34.2       | 15.50 | 1/2"     | 93.9           | 8.8              |
| NC-8342   | 1"           | 1-7/16"(36)   | 200-2000(271-2170) | 2500       | 3390 | 3300       | 11.0(311)            | 90(6.3)      | 24-3/8"(619)   | 38.0       | 17.30 | 1/2"     | 93.9           | 8.8              |
| NC-8362   | 1"           | 1-7/16"(36)   | 200-2000(271-2170) | 2500       | 3390 | 3700       | 11.0(284)            | 90(6.3)      | 17-7/8"(455)   | 35.2       | 16.00 | 1/2"     | 93.9           | 8.8              |
| NC-8372   | 1"           | 1-7/16"(36)   | 200-2000(271-2170) | 2500       | 3390 | 3700       | 11.0(284)            | 90(6.3)      | 24-7/32"(615)  | 38.7       | 17.60 | 1/2"     | 93.9           | 8.8              |
| NC-9223   | 1-1/2"       | 2"(50)        | 200-3000(271-4065) | 3500       | 4746 | 3000       | 16.0(453)            | 90(6.3)      | 17-3/4"(450)   | 43.2       | 19.70 | 3/4"     | 104.5          | 8.8              |
| NC-9243   | 1-1/2"       | 2"(50)        | 200-3000(271-4065) | 3500       | 4746 | 3000       | 16.0(453)            | 90(6.3)      | 24-1/4"(616)   | 50.2       | 22.8  | 3/4"     | 104.5          | 8.8              |

# AIR IMPACT WRENCH

## NC-4232Q KIT

1/2" DRIVE AIR IMPACT WRENCH 11 PCS

### FEATURES

- 1pc - 1/2" Air Impact Wrench
- 7pcs - Impact sockets, MA411M13, 17, 19, 21, 22, 24, 27
- 1pc - 5" Extension bar
- 1pc - Mini Lubricator SW-12
- 1pc - 1/4" plug

5 pieces in one carton



## NC-4233Q KIT

1/2" DRIVE AIR IMPACT WRENCH 11 PCS

### FEATURES

5 pieces in one carton

- 1pc - 1/2" Air Impact Wrench
- 7pcs - Impact sockets, MA411M13, 17, 19, 21, 22, 24, 27
- 1pc - 5" Extension bar
- 1pc - Mini Lubricator SW-12
- 1pc - 1/4" plug



## NC-4255Q KIT

1/2" DRIVE AIR IMPACT WRENCH 11 PCS

### FEATURES

5 pieces in one carton

- 1pc - 1/2" Air Impact Wrench
- 7pcs - Impact sockets, MA411M13, 17, 19, 21, 22, 24, 27
- 1pc - 5" Extension bar
- 1pc - Mini Lubricator SW-12
- 1pc - 1/4" plug



# NC-4650 KIT

1/2"

DRIVE AIR  
IMPACT WRENCH 11 PCS

## FEATURES

5 pieces in one carton

- 1pc - 1/2" Air Impact Wrench
- 7pcs - Impact sockets,  
MA411M13, 17, 19, 21, 22, 24, 27
- 1pc - 5" Extension bar
- 1pc - Mini Lubricator SW-12
- 1pc - 1/4" plug



# NC-6236Q KIT

3/4" DRIVE AIR  
IMPACT WRENCH 11 PCS

## FEATURES

2 pieces in one carton

- 1pc - 3/4" Air Impact Wrench
- 7pcs - Impact sockets,  
MA611M24, 27, 30, 32, 33, 34, 36
- 1pc - 7" Extension bar
- 1pc - Mini Lubricator SW-12
- 1pc - 1/4" plug



# NC-6255Q KIT

3/4" DRIVE AIR  
IMPACT WRENCH 11 PCS

## FEATURES

2 pieces in one carton

- 1pc - 3/4" Air Impact Wrench
- 7pcs - Impact sockets,  
MA611M24, 27, 30, 32, 33, 34, 36
- 1pc - 7" Extension bar
- 1pc - Mini Lubricator SW-12
- 1pc - 1/4" plug



# AIR IMPACT WRENCH

AIR IMPACT WRENCH

## NC-0410KIT

1/2" DRIVE AIR IMPACT WRENCH

10 PCS

5 pieces in one carton

- 1pc - Air Impact Wrench
- 5pcs - Impact sockets, 6 points, standard length 11, 13 mm, deep version 17, 19, 21mm
- 1pc - Extension bar 3"
- 1pc - Mini Oiler 1/4" female x 1/4" male
- 1pc - 1/4" plug
- 1pc - Oil box



## NC-0415KIT

1/2" DRIVE AIR IMPACT WRENCH 15 PCS

- 1pc-1/2" Air Impact Wrench
- 10pcs-Impact sockets, 6 points, standard length 9, 10, 11, 13, 14, 17, 19, 22, 24, 27mm
- 1pc-Extension bar 5"
- 1pc-Allen Key : 4mm
- 1pc-Mini Oiler 1/4" female x 1/4" male
- 1pc-1/4" plug

5 pieces in one carton



# NC-0615KIT

## 3/4" DRIVE AIR IMPACT WRENCH 15 PCS

- 1pc-3/4" Air Impact Wrench
- 8pcs-Impact sockets, 6 points, standard length 26, 27, 29, 30, 32, 35, 36, 38mm
- 1pc-Extension bar 7"
- 1pc-Universal Joint
- 2pcs-Allen Key : 4mm, 5mm
- 1pc-Mini Oiler 1/4"-6113,6215 , 3/8"-6216
- 1pc-1/4" plug - 6113.6215 , 3/8" plug - 6216
- 1pc-O-Ring&Pin

2 pieces in one carton



NC-0615M0  
NC-6113



NC-0615M1  
NC-6216



NC-0615M2  
NC-6215



# NC-4255Q-41KIT NC-4255Q-41KITA05

2 pieces in one carton

## FEATURES

Expert Quality, Commonly used in car repair special sets .  
 Supplied complete in a two tone 1/4 drawer EVA insert tray made from closed cell foam suitable to be used in M7 Expert tool chests and other manufacturers similar tool chests.  
 Set with torque wrench for user correction.



Can be customized



NC-4255Q-41KITA05





**NC-3111K01**

|             |                |             |                    |                |                |
|-------------|----------------|-------------|--------------------|----------------|----------------|
| Anvil Ass'y | Hammer         | Rotor Blade | Gasket             | O-Ring         | Muffler Elemen |
| Rubber Grip | Retaining Ring | Washer      | Motor Clamp Washer | Cylinder Dowel | Rubber Cap     |

**NC-3210K01**

|             |                |             |                    |                |                |
|-------------|----------------|-------------|--------------------|----------------|----------------|
| Anvil Ass'y | Hammer         | Rotor Blade | Gasket             | O-Ring         | Muffler Elemen |
| Rubber Grip | Retaining Ring | Washer      | Motor Clamp Washer | Cylinder Dowel | Rubber Cap     |

**NC-3610QK01**

|             |                |             |                    |                |                |
|-------------|----------------|-------------|--------------------|----------------|----------------|
| Anvil Ass'y | Hammer         | Rotor Blade | Gasket             | O-Ring         | Muffler Elemen |
| Rubber Grip | Retaining Ring | Washer      | Motor Clamp Washer | Cylinder Dowel | Rubber Cap     |

**NC-3611QK01**

|             |                |             |                    |                |                |
|-------------|----------------|-------------|--------------------|----------------|----------------|
| Anvil Ass'y | Hammer         | Rotor Blade | Gasket             | O-Ring         | Muffler Elemen |
| Rubber Grip | Retaining Ring | Washer      | Motor Clamp Washer | Cylinder Dowel | Rubber Cap     |

**NC-4210K01**

|             |                |             |                    |                |                |
|-------------|----------------|-------------|--------------------|----------------|----------------|
| Anvil Ass'y | Hammer         | Rotor Blade | Gasket             | O-Ring         | Muffler Elemen |
| Rubber Grip | Retaining Ring | Washer      | Motor Clamp Washer | Cylinder Dowel | Rubber Cap     |

**NC-4213K01**

|             |                |             |                    |                |                |
|-------------|----------------|-------------|--------------------|----------------|----------------|
| Anvil Ass'y | Hammer         | Rotor Blade | Gasket             | O-Ring         | Muffler Elemen |
| Rubber Grip | Retaining Ring | Washer      | Motor Clamp Washer | Cylinder Dowel | Rubber Cap     |

**NC-4216K01**

|             |                |             |                    |                |                |
|-------------|----------------|-------------|--------------------|----------------|----------------|
| Anvil Ass'y | Hammer         | Rotor Blade | Gasket             | O-Ring         | Muffler Elemen |
| Rubber Grip | Retaining Ring | Washer      | Motor Clamp Washer | Cylinder Dowel | Rubber Cap     |

**NC-6266K01**

|             |                |             |                    |                |                |
|-------------|----------------|-------------|--------------------|----------------|----------------|
| Anvil Ass'y | Hammer         | Rotor Blade | Gasket             | O-Ring         | Muffler Elemen |
| Rubber Grip | Retaining Ring | Washer      | Motor Clamp Washer | Cylinder Dowel | Rubber Cap     |

**NC-4233K01**

|             |                |             |                    |                |                |
|-------------|----------------|-------------|--------------------|----------------|----------------|
| Anvil Ass'y | Hammer         | Rotor Blade | Gasket             | O-Ring         | Muffler Elemen |
| Rubber Grip | Retaining Ring | Washer      | Motor Clamp Washer | Cylinder Dowel | Rubber Cap     |

**NC-4236K01**

|             |                |             |                    |                |                |
|-------------|----------------|-------------|--------------------|----------------|----------------|
| Anvil Ass'y | Hammer         | Rotor Blade | Gasket             | O-Ring         | Muffler Elemen |
| Rubber Grip | Retaining Ring | Washer      | Motor Clamp Washer | Cylinder Dowel | Rubber Cap     |

**NC-4255K01**

|             |                |             |                    |                |                |
|-------------|----------------|-------------|--------------------|----------------|----------------|
| Anvil Ass'y | Hammer         | Rotor Blade | Gasket             | O-Ring         | Muffler Elemen |
| Rubber Grip | Retaining Ring | Washer      | Motor Clamp Washer | Cylinder Dowel | Rubber Cap     |

**NC-4258K01**

|             |                |             |                    |                |                |
|-------------|----------------|-------------|--------------------|----------------|----------------|
| Anvil Ass'y | Hammer         | Rotor Blade | Gasket             | O-Ring         | Muffler Elemen |
| Rubber Grip | Retaining Ring | Washer      | Motor Clamp Washer | Cylinder Dowel | Rubber Cap     |

**NC-4610QK01**

|             |                |             |                    |                |                |
|-------------|----------------|-------------|--------------------|----------------|----------------|
| Anvil Ass'y | Hammer         | Rotor Blade | Gasket             | O-Ring         | Muffler Elemen |
| Rubber Grip | Retaining Ring | Washer      | Motor Clamp Washer | Cylinder Dowel | Rubber Cap     |

**NC-4611QK01**

|             |                |             |                    |                |                |
|-------------|----------------|-------------|--------------------|----------------|----------------|
| Anvil Ass'y | Hammer         | Rotor Blade | Gasket             | O-Ring         | Muffler Elemen |
| Rubber Grip | Retaining Ring | Washer      | Motor Clamp Washer | Cylinder Dowel | Rubber Cap     |

**NC-4650K01**

|             |                |             |                    |                |                |
|-------------|----------------|-------------|--------------------|----------------|----------------|
| Anvil Ass'y | Hammer         | Rotor Blade | Gasket             | O-Ring         | Muffler Elemen |
| Rubber Grip | Retaining Ring | Washer      | Motor Clamp Washer | Cylinder Dowel | Rubber Cap     |

**NC-4217K01**

|             |                |             |                    |                |                |
|-------------|----------------|-------------|--------------------|----------------|----------------|
| Anvil Ass'y | Hammer         | Rotor Blade | Gasket             | O-Ring         | Muffler Elemen |
| Rubber Grip | Retaining Ring | Washer      | Motor Clamp Washer | Cylinder Dowel | Rubber Cap     |

**NC-6216K01**

|             |                |             |                    |                |                |
|-------------|----------------|-------------|--------------------|----------------|----------------|
| Anvil Ass'y | Hammer         | Rotor Blade | Gasket             | O-Ring         | Muffler Elemen |
| Rubber Grip | Retaining Ring | Washer      | Motor Clamp Washer | Cylinder Dowel | Rubber Cap     |

Repair kit

**NC-6218K01**

|             |                |             |                    |                |                |
|-------------|----------------|-------------|--------------------|----------------|----------------|
| Anvil Ass'y | Hammer         | Rotor Blade | Gasket             | O-Ring         | Muffler Elemen |
| Rubber Grip | Retaining Ring | Washer      | Motor Clamp Washer | Cylinder Dowel | Rubber Cap     |

**NC-6210K01**

|             |                |             |                    |                |                |
|-------------|----------------|-------------|--------------------|----------------|----------------|
| Anvil Ass'y | Hammer         | Rotor Blade | Gasket             | O-Ring         | Muffler Elemen |
| Rubber Grip | Retaining Ring | Washer      | Motor Clamp Washer | Cylinder Dowel | Rubber Cap     |

**NC-6236K01**

|             |                |             |                    |                |                |
|-------------|----------------|-------------|--------------------|----------------|----------------|
| Anvil Ass'y | Hammer         | Rotor Blade | Gasket             | O-Ring         | Muffler Elemen |
| Rubber Grip | Retaining Ring | Washer      | Motor Clamp Washer | Cylinder Dowel | Rubber Cap     |

**NC-6255K01**

|             |                |             |                    |                |                |
|-------------|----------------|-------------|--------------------|----------------|----------------|
| Anvil Ass'y | Hammer         | Rotor Blade | Gasket             | O-Ring         | Muffler Elemen |
| Rubber Grip | Retaining Ring | Washer      | Motor Clamp Washer | Cylinder Dowel | Rubber Cap     |

**NE-399/499K01**

|              |                |                     |                   |             |            |        |
|--------------|----------------|---------------------|-------------------|-------------|------------|--------|
| Anvil Ass'y  | Hammer         | Ratchet Anvil Ass'y | Planet Gear Ass'y | Rotor Blade | Gasket     | O-Ring |
| Work Spindle | Needle Bearing | Ball Bearing        | Muffler           | Washer      | Planet Pin |        |

**NE-251/351K01**

|              |                |                     |                   |             |            |        |
|--------------|----------------|---------------------|-------------------|-------------|------------|--------|
| Anvil Ass'y  | Hammer         | Ratchet Anvil Ass'y | Planet Gear Ass'y | Rotor Blade | Gasket     | O-Ring |
| Work Spindle | Needle Bearing | Ball Bearing        | Muffler           | Washer      | Planet Pin |        |

**NE-352K01**

|              |                |                     |                   |             |            |        |
|--------------|----------------|---------------------|-------------------|-------------|------------|--------|
| Anvil Ass'y  | Hammer         | Ratchet Anvil Ass'y | Planet Gear Ass'y | Rotor Blade | Gasket     | O-Ring |
| Work Spindle | Needle Bearing | Ball Bearing        | Muffler           | Washer      | Planet Pin |        |

**NE-321/421K01**

|              |                |                     |                   |             |            |        |
|--------------|----------------|---------------------|-------------------|-------------|------------|--------|
| Anvil Ass'y  | Hammer         | Ratchet Anvil Ass'y | Planet Gear Ass'y | Rotor Blade | Gasket     | O-Ring |
| Work Spindle | Needle Bearing | Ball Bearing        | Muffler           | Washer      | Planet Pin |        |

**NE-332/432K01**

|              |                |                     |                   |             |            |        |
|--------------|----------------|---------------------|-------------------|-------------|------------|--------|
| Anvil Ass'y  | Hammer         | Ratchet Anvil Ass'y | Planet Gear Ass'y | Rotor Blade | Gasket     | O-Ring |
| Work Spindle | Needle Bearing | Ball Bearing        | Muffler           | Washer      | Planet Pin |        |

**NE-343/443K01**

|              |                |                     |                   |             |            |        |
|--------------|----------------|---------------------|-------------------|-------------|------------|--------|
| Anvil Ass'y  | Hammer         | Ratchet Anvil Ass'y | Planet Gear Ass'y | Rotor Blade | Gasket     | O-Ring |
| Work Spindle | Needle Bearing | Ball Bearing        | Muffler           | Washer      | Planet Pin |        |

**NE-461K01**

|              |                |                     |                   |             |            |        |
|--------------|----------------|---------------------|-------------------|-------------|------------|--------|
| Anvil Ass'y  | Hammer         | Ratchet Anvil Ass'y | Planet Gear Ass'y | Rotor Blade | Gasket     | O-Ring |
| Work Spindle | Needle Bearing | Ball Bearing        | Muffler           | Washer      | Planet Pin |        |

**NE-483K01**

|              |                |                     |                   |             |            |        |
|--------------|----------------|---------------------|-------------------|-------------|------------|--------|
| Anvil Ass'y  | Hammer         | Ratchet Anvil Ass'y | Planet Gear Ass'y | Rotor Blade | Gasket     | O-Ring |
| Work Spindle | Needle Bearing | Ball Bearing        | Muffler           | Washer      | Planet Pin |        |

**AIR  
IMPACT  
RATCHET  
WRENCH**

**AIR  
IMPACT  
RATCHET  
WRENCH**



# NE-3901 NE-4901

**3/8" & 1/2" DRIVE AIR IMPACT RATCHET WRENCH**

Air inlet : 1/4"



## FEATURES

1. No force is generated when used
2. Strike device structure makes it easier to fix the nut
3. Small vibration frequency
4. Improve instant torque
5. Ergonomic design, comfort and convenience for using at confined



# NE-3920

**3/8" DRIVE AIR IMPACT RATCHET WRENCH**

10 pieces in one carton

Unicorn Hammer Type

Air inlet : 1/4"



## FEATURES

- Ratchet wrench design (Patented impact hammer mechanism)
- Non-reaction
- Compact, lightweight, dust free head-sealed
- Ergonomic design, comfort and convenience for using at confined area



# NE-462

Pin Clutch Type  
Air inlet : 1/4"

**1/2" DRIVE AIR IMPACT RATCHET WRENCH**

10 pieces in one carton

- Pin-Clutch design mechanism generates 100 Nm torque output.
- Fasten to Stop design provides comfortable feel.



# NE-399/499

Jumbo Hammer Type  
Air inlet : 1/4"

**3/8" & 1/2" DRIVE AIR ANGLE IMPACT WRENCH**

8 pieces in one carton

- Max. torque 250ft-lb.
- Forward & reverse ring control.
- Composite rubber covered grip to increase holding feel.
- Jumbo-hammer mechanism.



|         | Square Drive | Torque Range   | Max Torque |     | Free Speed | Avg. Air Consumption | Air Pressure | Overall Length | Net Weight |      | Air Hose | Sound Pressure | Vibration Level  |
|---------|--------------|----------------|------------|-----|------------|----------------------|--------------|----------------|------------|------|----------|----------------|------------------|
|         | Inch         | FT-LB (Nm)     | FT-LB      | Nm  | R.P.M      | CFM (L/min)          | PSI (bar)    | Inch (mm)      | LBS        | kg   | Inch     | dBA            | m/s <sup>2</sup> |
| NE-3901 | 3/8"         | 5-35(7-47)     | 40         | 54  | 1100       | 3.1(87.1)            | 90(6.3)      | 6-1/4"(159)    | 1.32       | 0.6  | 3/8"     | 89.0           | 2.2              |
| NE-4901 | 1/2"         | 10-40(13.5-54) | 50         | 68  | 1100       | 3.0(69.4)            | 90 (6.3)     | 6-1/4"(159)    | 1.48       | 0.67 | 3/8"     | 89.0           | 2.2              |
| NE-3920 | 3/8"         | 5-37(7-50)     | 50         | 68  | 700        | 3.1(87)              | 90(6.3)      | 6.5"(164)      | 1.32       | 0.6  | 3/8"     | 88.0           | 1.85             |
| NE-462  | 1/2"         | 10-55(13.5-74) | 74         | 100 | 200        | 4.0(113.28)          | 90 (6.3)     | 13"(330)       | 4.1        | 1.88 | 3/8"     | 84.0           | 2.5              |
| NE-399  | 3/8"         | 50-130(68-176) | 180        | 244 | 7500       | 2.45(69.4)           | 90 (6.3)     | 13-3/8"(340)   | 4.0        | 1.83 | 3/8"     | 93.0           | 9.9              |
| NE-499  | 1/2"         | 50-150(68-176) | 250        | 339 | 7500       | 2.45(69.4)           | 90 (6.3)     | 13-3/8"(340)   | 4.0        | 1.83 | 3/8"     | 93.0           | 9.9              |

# AIR RATCHET WRENCH

AIR RATCHET WRENCH



## NE-488

**1/2" DRIVE AIR RATCHET WRENCH** 12 pieces in one carton

Air inlet : 1/4"



## FEATURES



Swivel Head. (up and down 30 degrees).  
Body TPR soft handle to reduce the sense of vibration.  
Exhaust hood all angle adjustable design.



## NE-332/432

**3/8" & 1/2" DRIVE AIR RATCHET WRENCH** Air inlet : 1/4"

- Quick release button enables fast and efficient socket change.
- Allows fast positioning on nut.
- Hardened gears, needle and ball bearings provide longer lifetime.
- Ultimate Torque: 60ft-lbs.

20 pieces in one carton

**20%** Longer Life-time

Compare With ordinary models



## NE-251 1/4" & 3/8" DRIVE AIR RATCHET WRENCH

NE-351 Air inlet : 1/4"



## NE-352 3/8" DRIVE 2 in 1 AIR RATCHET WRENCH

Air inlet : 1/4"



- 3/8" square drive dual use + hex bits

**NE-251R** 1/4" DRIVE  
**NE-351R** 3/8" DRIVE  
**NE-451R** 1/2" DRIVE

**Rubber Handle**

AIR IMPACT  
 RATCHET WRENCH  
 Air inlet : 1/4"



20 pieces in one carton



**NE-261** 1/4" & 3/8"  
**NE-361** DRIVE AIR  
 RATCHET WRENCH  
 Air inlet : 1/4"



**NE-362** 3/8" DRIVE 2 in 1 AIR  
 RATCHET WRENCH  
 Air inlet : 1/4"



- back exhaust design to reduce flying dusts
- NE-361 with 3/8" square drive
- NE-362 with dual-use square drive
- 160mm long suitable for narrow space



**NE-321** 3/8" & 1/2"  
**NE-421** DRIVE AIR  
 RATCHET WRENCH  
 Air inlet : 1/4"

20 pieces in one carton



**NE-343** 3/8" & 1/2"  
**NE-443** DRIVE AIR  
 RATCHET WRENCH  
 Air inlet : 1/4"

10 pieces in one carton



|         | Square Drive | Torque Range    | Max Torque |       | Free Speed | Avg. Air Consumption | Air Pressure | Overall Length | Net Weight |      | Air Hose | Sound Pressure | Vibration Level  |
|---------|--------------|-----------------|------------|-------|------------|----------------------|--------------|----------------|------------|------|----------|----------------|------------------|
|         | Inch         | FT-LB (Nm)      | FT-LB      | Nm    | R.P.M      | CFM (L/min)          | PSI (bar)    | Inch (mm)      | LBS        | kg   | Inch     | dBA            | m/s <sup>2</sup> |
|         |              |                 |            |       |            |                      |              |                |            |      |          |                |                  |
| NE-488  | 1/2"         | 10-40(13.5-54)  | 60         | 81    | 150        | 4.5(127.4)           | 90(6.3)      | 10-13/16"(275) | 3.2        | 1.45 | 3/8"     | 85.0           | 3.9              |
| NE-332  | 3/8"         | 10-45"(13.5-51) | 60         | 81    | 160        | 4.0(113.28)          | 90 (6.3)     | 10-3/8"(265)   | 2.6        | 1.22 | 3/8"     | 90.5           | 4.4              |
| NE-432  | 1/2"         | 10-45"(13.5-51) | 60         | 81    | 160        | 4.0(113.28)          | 90 (6.3)     | 10-3/8"(265)   | 2.6        | 1.22 | 3/8"     | 90.5           | 5.2              |
| NE-251  | 1/4"         | 5-15"(6.7-20)   | 22         | 30    | 350        | 3.0(84.96)           | 90 (6.3)     | 5"(125)        | 1.1        | 0.50 | 3/8"     | 89.0           | 4.4              |
| NE-351  | 3/8"         | 5-15"(6.7-20)   | 22         | 30    | 350        | 3.0(84.96)           | 90 (6.3)     | 5"(125)        | 1.1        | 0.50 | 3/8"     | 89.0           | 4.4              |
| NE-352  | 3/8"         | 5-15"(6.7-20)   | 22         | 30    | 350        | 3.0(84.96)           | 90 (6.3)     | 5"(125)        | 1.1        | 0.50 | 3/8"     | 89.0           | 4.4              |
| NE-251R | 1/4"         | 5-15"(6.7-20)   | 22         | 30    | 350        | 3.0(84.96)           | 90 (6.3)     | 5"(125)        | 1.1        | 0.50 | 3/8"     | 89.0           | 4.4              |
| NE-351R | 3/8"         | 5-15"(6.7-20)   | 22         | 30    | 350        | 3.0(84.96)           | 90 (6.3)     | 5"(125)        | 1.1        | 0.50 | 3/8"     | 89.0           | 4.4              |
| NE-451R | 1/2"         | 5-15"(6.7-20)   | 22         | 30    | 350        | 3.0(84.96)           | 90 (6.3)     | 5"(125)        | 1.1        | 0.50 | 3/8"     | 89.0           | 4.4              |
| NE-261  | 1/4"         | 10-35(13.5-47)  | 37         | 50    | 230        | 4.6(130)             | 90 (6.3)     | 6-5/16"(160)   | 1.1        | 0.50 | 3/8"     | 88.0           | 3.0              |
| NE-361  | 3/8"         | 10-35(13.5-47)  | 37         | 50    | 230        | 4.6(130)             | 90 (6.3)     | 6-6/16"(160)   | 1.1        | 0.50 | 3/8"     | 88.0           | 3.0              |
| NE-321  | 3/8"         | 10-35(13.5-47)  | 50         | 60    | 160        | 4.0(113.28)          | 90 (6.3)     | 10-3/8"(265)   | 2.3        | 1.04 | 3/8"     | 91.0           | 3.9              |
| NE-421  | 1/2"         | 10-35(13.5-47)  | 50         | 60    | 160        | 4.0(113.28)          | 90 (6.3)     | 10-3/8"(265)   | 2.3        | 1.04 | 3/8"     | 92.0           | 4.6              |
| NE-343  | 3/8"         | 10-55(13.5-74)  | 75         | 101.7 | 160        | 4.0(113.28)          | 90 (6.3)     | 11"(280)       | 2.8        | 1.30 | 3/8"     | 84.0           | 4.4              |
| NE-443  | 1/2"         | 10-55(13.5-74)  | 100        | 135.6 | 160        | 4.0(113.28)          | 90 (6.3)     | 11"(280)       | 2.8        | 1.30 | 3/8"     | 84.0           | 4.4              |
| NE-362  | 3/8"         | 10-35(13.5-47)  | 37         | 50    | 230        | 4.6(130)             | 90 (6.3)     | 6-5/16"(160)   | 1.1        | 0.50 | 3/8"     | 88.0           | 3.0              |

# AIR RATCHET WRENCH

AIR RATCHET WRENCH



## NE-499N

### 1/2" DRIVE AIR ANGLE IMPACT WRENCH

Air inlet : 1/4"

- Air Angle Impact Wrench : 1pc (NE-499)
- Stubby impact sockets, 6 points :
- 9pcs 9, 10, 11, 13, 14, 17, 19, 22, 24 mm
- 1/4" plug : 1pc

10 pieces in one carton



## NE-0357

### 3/8" DRIVE AIR RATCHET WRENCH 57PCS

Air inlet : 1/4"

- 1pc Air Ratchet Wrench (NE-352)
- 7pcs 1/4" Dr. socket : 4,5,6,7,8,9,10 mm
- 6pcs 3/8" Dr. socket : 11,12,13,14,15,17 mm
- 40pcs 1/4" Bits
- 1pc 3/8" Extension Bar
- 1pc 1/4" Hex Size shank driver
- 1pc Plug

10 pieces in one carton



## NE-0413 [KIT] NE-0413S [KIT]

### 1/2" DRIVE AIR RATCHET WRENCH Thru-Hole 13pcs

Air inlet : 1/4"

6 pieces in one carton

- 1pc Air Ratchet Wrench(NE-461)
- 8pcs 3/4" Hex Thru-hole socket : 8,9,10,12,13,14,17,19 mm (NE-0413)
- 8pcs 3/4" Hex Thru-hole socket : 5/16",3/8",7/16",1/2",9/16",5/8",11/16",3/4" (NE-0413S)
- 1pc 3" Extension Bar
- 2pcs 1/2" 3/8" Adapter
- 1pc Plug



|        | Square Drive | Bolt Capacity | Torque Range   | Max Torque | Free Speed | Avg. Air Consumption | Air Pressure | Overall Length | Net Weight | Air Hose | Sound Pressure | Vibration Level  |
|--------|--------------|---------------|----------------|------------|------------|----------------------|--------------|----------------|------------|----------|----------------|------------------|
|        | Inch         | Inch (mm)     | FT-LB (Nm)     | FT-LB Nm   | R.P.M      | CFM (L/min)          | PSI (bar)    | Inch (mm)      | LBS kg     | Inch     | dBA            | m/s <sup>2</sup> |
|        |              |               |                |            |            |                      |              |                |            |          |                |                  |
| NE-499 | 1/2"         | 9/16"(14)     | 50-150(68-203) | 250 339    | 7500       | 2.45(69.4)           | 90(6.3)      | 13-3/8"(340)   | 4.0 1.83   | 3/8"     | 93.0           | 9.9              |
| NE-352 | 3/8"         | 9/16"(14)     | 5-15(6.7-20)   | 22 30      | 350        | 3.0(84.96)           | 90(6.3)      | 5"(125)        | 1.1 0.50   | 3/8"     | 89.0           | 4.4              |
| NE-461 | 1/2"         | 9/16"(14)     | 10-65(13.5-88) | 100 135    | 180        | 4.0(113)             | 90(6.3)      | 10-3/8"(270)   | 2.6 1.20   | 3/8"     | 83.0           | 2.3              |



# NE-0405-KIT

5 IN 1 MULTIPLE TOOL KIT

Air inlet : 1/4"

- 1pc NE-9004      ● 1pc QA-9120
- 1pc QA-9620    ● 1pc QB-9903
- 1pc QE-9132

5 pieces in one carton



**60FT-LB / 81Nm**



Ratchet NE-9904



Die Grinder QA-9120



Air drill QE-9132



Angle Die Grinder QA-9620



Angle Grinder QB-9903



|         | Cylinder Power | Chuck Capacity          | Free Speed | Net Weight | Overall Length | Avg. Air Consumption | Air Pressure | Air Inlet Size | Air Hose | Sound Pressure |
|---------|----------------|-------------------------|------------|------------|----------------|----------------------|--------------|----------------|----------|----------------|
|         | hp(w)          | Inch (mm)               | R.P.M      | kg         | mm             | (L/min)              | PSI (bar)    | Inch           | Inch     | dBA            |
| QA-9120 | 0.5(372)       | 1/4" & 1/8" (6mm & 3mm) | 19,000     | 0.73       | 202.8          | 5.20                 | 90(6.3)      | 1/4            | 3/8      | 83             |
| NE-9904 | 0.5(372)       | 1/2"(13)                | 150        | 1.488      | 287.88         | 5.22                 | 90(6.3)      | 1/4            | 3/8      | 83             |
| QE-9132 | 0.5(372)       | 3/8"(10)                | 3300       | 1.143      | 248.38         | 5.20                 | 90(6.3)      | 1/4            | 3/8      | 83             |
| QB-9903 | 0.5(372)       | PAD DIA 3"(76)          | 14,000     | 0.976      | 211.5          | 5.20                 | 90(6.3)      | 1/4            | 3/8      | 83             |
| QA-9620 | 0.5(372)       | 1/4" & 1/8" (6mm & 3mm) | 14,000     | 0.89       | 208.5          | 5.20                 | 90(6.3)      | 1/4            | 3/8      | 83             |



**AIR  
DIE  
GRINDER**

**AIR  
DIE  
GRINDER**





Air die grinder



## QA-633Q A/B

**97° AIR ANGLE**  
**DIE GRINDER**

Air inlet : 1/4"

- No gear type to reduce maintenance costs
- 97 degree angle to reduce wrist fatigue
- Low sound pressure 75dBA
- Composite grip / long time usage without cold feeling
- Enlarged motor design for bigger power output



**64%**  
Lower sound

**50%**  
longer  
Life-time

Compare With ordinary models

20 pieces in one carton



|         | Collet Size<br>A mm | Collet Size<br>B inch | Free Speed<br>R.P.M | Avg. Air Consumption<br>CFM (L/min) | Air Pressure<br>PSI (bar) | Overall Length<br>Inch (mm) | Motor<br>HP | Net Weight<br>LBS(kg) | Air Hose<br>Inch | Sound Pressure<br>dBA | Vibration Level<br>m/s <sup>2</sup> |
|---------|---------------------|-----------------------|---------------------|-------------------------------------|---------------------------|-----------------------------|-------------|-----------------------|------------------|-----------------------|-------------------------------------|
| QA-633Q | 6 & 3               | 1/4" & 1/8"           | 15000               | 17.2(490)                           | 90(6.3)                   | 7-1/8"(180)                 | 0.6         | 1.54 0.70             | 3/8"             | 75.0                  | >2.5                                |

# AIR DIE GRINDER



## QA-1710A/B

EXTENDED AIR DIE GRINDER  
Air inlet : 1/4"

10 pieces in one carton



Length can be adjusted.

## FEATURES

- Grinder can be used in a wide range of grinding and polishing applications.
- Easy operation at the corner or deep place.



## QA-131 A / B

AIR DIE GRINDER Air inlet : 1/4" Roll Type Throttle

10 pieces in one carton



## QA-143 A / B

AIR DIE GRINDER Air inlet : 1/4" Roll Type Throttle

10 pieces in one carton

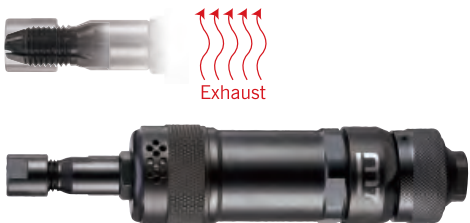


## QA-141 A / B QA-141L A / B

AIR DIE GRINDER Air inlet : 1/4"

QA-141-Roll Type Throttle  
QA-141L-Lever Type Throttle

10 pieces in one carton



- 6mm / 1/4" collet both available
- steel housing / high strength
- Front exhaust design

80%  
Longer  
Life-time

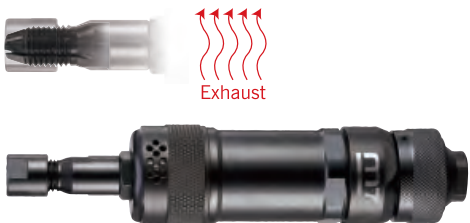
70%  
More  
Powerful



## QA-151 A / B

AIR DIE GRINDER Air inlet : 1/4" Roll Type Throttle

10 pieces in one carton



## QA-163 A / B QA-163L A / B

AIR DIE GRINDER

Air inlet : 1/4"

QA-163-Roll Type Throttle  
QA-163L-Lever Type Throttle





## QA-632Q A / B

97°AIR ANGLE DIE GRINDER Air inlet : 1/4"

- No gear type to reduce maintenance costs
- 97 degree angle to reduce wrist fatigue
- Low sound pressure 75dBA Composite grip / long time usage
- without cold feeling

20 pieces in one carton



## QA-611 A / B

90°AIR ANGLE DIE GRINDER Air inlet : 1/4"

- 90° working angle provides wide flexibility in confined areas.
- Both 3mm and 6mm or 1/8" and 1/4" collets are included.

20 pieces in one carton



|         | Collet Size<br>A mm | Collet Size<br>B inch | Free Speed<br>R.P.M | Avg. Air Consumption<br>CFM (L/min) | Air Pressure<br>PSI (bar) | Overall Length<br>Inch (mm) | Motor<br>HP | Net Weight<br>LBS(kg) | Air Hose<br>Inch | Sound Pressure<br>dBA | Vibration Level<br>m/s <sup>2</sup> |
|---------|---------------------|-----------------------|---------------------|-------------------------------------|---------------------------|-----------------------------|-------------|-----------------------|------------------|-----------------------|-------------------------------------|
|         |                     |                       |                     |                                     |                           |                             |             |                       |                  |                       |                                     |
| QA-131  | 3                   | 1/4"                  | 30000               | 14.0(396)                           | 90(6.3)                   | 6-11/16"(170)               | 0.4         | 1.3 0.60              | 3/8"             | 75.0                  | 2.5                                 |
| QA-141  | 6                   | 1/4"                  | 24000               | 14.0(396)                           | 90(6.3)                   | 6-11/16"(170)               | 0.4         | 1.3 0.60              | 3/8"             | 75.0                  | 2.5                                 |
| QA-141L | 6                   | 1/4"                  | 24000               | 14.0(396)                           | 90(6.3)                   | 6-11/16"(170)               | 0.4         | 1.3 0.60              | 3/8"             | 75.0                  | 2.5                                 |
| QA-143  | 6                   | 1/4"                  | 24000               | 14.0(396)                           | 90(6.3)                   | 11-11/16"(296)              | 0.4         | 2.0 0.90              | 3/8"             | 75.0                  | 2.5                                 |
| QA-151  | 6                   | 1/4"                  | 18000               | 12.2(345)                           | 90(6.3)                   | 7"(177)                     | 0.9         | 1.76 0.80             | 3/8"             | 75.0                  | 2.1                                 |
| QA-163  | 6                   | 1/4"                  | 16000               | 5.0(141)                            | 90(6.3)                   | 12"(305)                    | 0.9         | 2.7 1.25              | 3/8"             | 75.0                  | 2.8                                 |
| QA-163L | 6                   | 1/4"                  | 16000               | 5.0(141)                            | 90(6.3)                   | 13-25/32"(350)              | 0.9         | 2.9 1.31              | 3/8"             | 75.0                  | 2.8                                 |
| QA-1710 | 6                   | 1/4"                  | 18000               | 5.0(141)                            | 90(6.3)                   | 18-5/16"(465)               | 0.4         | 2.36 1.07             | 3/8"             | 80.0                  | 1.5                                 |
| QA-611  | 6 & 3               | 1/4" & 1/8"           | 19000               | 10.0(283)                           | 90(6.3)                   | 6-1/8"(160)                 | 0.3         | 1.12 0.51             | 3/8"             | 74.4                  | 1.7                                 |
| QA-632Q | 6 & 3               | 1/4" & 1/8"           | 22000               | 12.3(350)                           | 90(6.3)                   | 7"(177)                     | 0.4         | 1.12 0.51             | 3/8"             | 75.0                  | >2.5                                |

# AIR DIE GRINDER



## QA-101 A / B

AIR DIE GRINDER Air inlet : 1/4"

- Grinder can be used in a wide range of grinding and polishing applications.
- Easy operation at the corner or deep place.



**Mighty Mini**  
**119mm**



## QA-111 A / B

AIR DIE GRINDER Air inlet : 1/4"

20 pieces in one carton



## QA-210 A / B

AIR DIE GRINDER Air inlet : 1/4"

20 pieces in one carton



## QA-211 A / B

AIR DIE GRINDER Air inlet : 1/4"

20 pieces in one carton



## QA-231Q A / B

AIR DIE GRINDER Air inlet : 1/4"

20 pieces in one carton



## QA-241 A / B

AIR DIE GRINDER Air inlet : 1/4"

10 pieces in one carton





## QA-311 A / B

AIR DIE GRINDER Air inlet : 1/4"

10 pieces in one carton



## QA-313 A / B

AIR DIE GRINDER Air inlet : 1/4"

10 pieces in one carton



## QA-315 A / B

AIR DIE GRINDER Air inlet : 1/4"

10 pieces in one carton



|         | Collet Size<br>A mm | Collet Size<br>B inch | Free Speed<br>R.P.M | Avg. Air Consumption<br>CFM (L/min) | Air Pressure<br>PSI (bar) | Overall Length<br>Inch (mm) | Motor<br>HP | Net Weight<br>LBS(kg) |      | Air Hose<br>Inch | Sound Pressure<br>dBA | Vibration Level<br>m/s <sup>2</sup> |
|---------|---------------------|-----------------------|---------------------|-------------------------------------|---------------------------|-----------------------------|-------------|-----------------------|------|------------------|-----------------------|-------------------------------------|
|         |                     |                       |                     |                                     |                           |                             |             |                       |      |                  |                       |                                     |
| QA-101  | 6 & 3               | 1/4" & 1/8"           | 25000               | 6.3(178)                            | 90(6.3)                   | 4-11/16"(119)               | 0.3         | 0.71                  | 0.32 | 3/8"             | 80.0                  | 1.4                                 |
| QA-111  | 6 & 3               | 1/4" & 1/8"           | 25000               | 10.0(283)                           | 90(6.3)                   | 6"(155)                     | 0.3         | 0.8                   | 0.38 | 3/8"             | 81.5                  | 1.8                                 |
| QA-210  | 6                   | 1/4"                  | 20000               | 10.0(283)                           | 90(6.3)                   | 7-1/2"(190)                 | 0.9         | 1.4                   | 0.65 | 3/8"             | 75.7                  | 0.8                                 |
| QA-211  | 6 & 3               | 1/4" & 1/8"           | 20000               | 10.0(283)                           | 90(6.3)                   | 7-1/2"(190)                 | 0.9         | 1.4                   | 0.65 | 3/8"             | 75.7                  | 0.8                                 |
| QA-231Q | 6 & 3               | 1/4" & 1/8"           | 20000               | 14.8(420)                           | 90(6.3)                   | 5-29/32"(150)               | 0.45        | 0.8                   | 0.35 | 3/8"             | 80.0                  | >2.5                                |
| QA-241  | 6                   | 1/4"                  | 4000                | 10.6(283)                           | 90(6.3)                   | 8-5/8"(220)                 | 0.5         | 1.6                   | 0.75 | 3/8"             | 75.0                  | 0.87                                |
| QA-311  | 6 & 3               | 1/4" & 1/8"           | 25000               | 10.0(283)                           | 90(6.3)                   | 7-1/2"(190)                 | 0.3         | 1.0                   | 0.48 | 3/8"             | 81.5                  | 1.8                                 |
| QA-313  | 6 & 3               | 1/4" & 1/8"           | 25000               | 10.0(283)                           | 90(6.3)                   | 9-1/4"(235)                 | 0.3         | 1.2                   | 0.58 | 3/8"             | 81.5                  | 1.8                                 |
| QA-315  | 6 & 3               | 1/4" & 1/8"           | 25000               | 10.0(283)                           | 90(6.3)                   | 11"(280)                    | 0.3         | 1.4                   | 0.63 | 3/8"             | 81.5                  | 1.8                                 |

# AIR DIE GRINDER KIT

AIR DIE GRINDER



## QA-0115 A / B QA-0215 A / B

AIR DIE GRINDER 15PCS KIT Air inlet : 1/4"

- 1pc Air Die Grinder (QA-111 / 211)
- 1pc Collet (3 mm or 1/8")
- 2pcs Spanner Wrench
- 5pcs Grinding Stone (3 mm or 1/8")
- 5pcs Grinding Stone (6 mm or 1/4")
- 1pc Plug (adapter)



## QA-0615 A / B

AIR DIE GRINDER 15PCS KIT Air inlet : 1/4"

- 1pc Air Die Grinder (QA-611)
- 1pc Collet (3 mm or 1/8")
- 2pcs Spanner Wrench
- 5pcs Grinding Stone (3 mm or 1/8")
- 5pcs Grinding Stone (6 mm or 1/4")
- 1pc Plug (adapter)

10 pieces in one carton



## QA-0207

AIR DIE GRINDER 7PCS KIT

Air inlet : 1/4"

- 1pc Air Die Grinder (QA-210)
- 5pcs Grinding stone
- 1pc Plug (adapter)

10 pieces in one carton





## QA-4507

A:6mm B:1/4"  
MICRO AIR DIE GRINDER  
Air inlet : 1/4"



## QA-412

A:3mm B:1/8"  
MICRO AIR DIE GRINDER  
Air inlet : 1/4"



## QA-421

A:3mm B:1/8"  
MICRO AIR DIE GRINDER  
Air inlet : 1/4"



## QA-431

A:3mm B:1/8"  
MICRO AIR DIE GRINDER  
Air inlet : 1/4"



## QA-432

A:3mm B:1/8"  
MICRO AIR DIE GRINDER  
Air inlet : 1/4"



## QA-511

ENGRAVING PEN  
Air inlet : 1/4"



## QA-441

HEAVY DUTY MICRO AIR DIE GRINDER A:3mm B:1/8"  
Air inlet : 1/4"

- Heavy Duty 3mm Pencil Grinder
- Rust-free stainless steel front housing
- Ideal for machining dies, molds or other restricted grinding applications



|         | Collet Size<br>inch(mm) | Free Speed<br>R.P.M | Blow Per Minute<br>bpm | Avg. Air Consumption<br>CFM (L/min) | Air Pressure<br>PSI (bar) | Overall Length<br>Inch (mm) | Hose Length<br>mm | Net Weight<br>LBS(kg) | Air Hose<br>Inch | Sound Pressure<br>dBA | Vibration Level<br>m/s <sup>2</sup> |
|---------|-------------------------|---------------------|------------------------|-------------------------------------|---------------------------|-----------------------------|-------------------|-----------------------|------------------|-----------------------|-------------------------------------|
| QA-412  | 1/8" (3)                | 60000               | -----                  | 2.7(76)                             | 90(6.3)                   | 6-3/4"(170)                 | 1500              | 0.50 0.24             | 3/8"             | 70.0                  | 0.5                                 |
| QA-421  | 1/8" (3)                | 60000               | -----                  | 2.7(76)                             | 90(6.3)                   | 6"(150)                     | 1500              | 0.50 0.22             | 3/8"             | 70.0                  | 0.5                                 |
| QA-431  | 1/8" (3)                | 54000               | -----                  | 2.0(56)                             | 90(6.3)                   | 5-3/8"(137)                 | 1425              | 0.40 0.20             | 3/8"             | 70.0                  | 0.5                                 |
| QA-432  | 1/8" (3)                | 70000               | -----                  | 1.0(29)                             | 90(6.3)                   | 5-3/8"(137)                 | 1425              | 0.40 0.20             | 3/8"             | 70.0                  | 0.5                                 |
| QA-511  | -----                   | -----               | 13000                  | 1.0(29)                             | 90(6.3)                   | 5-1/2"(140)                 | 1420              | 0.50 0.23             | 3/8"             | 78.0                  | 0.6                                 |
| QA-441  | 1/8"(3)                 | 60000               | -----                  | 2.0(56)                             | 90(6.3)                   | 5-5/16"(135)                | 1500              | 0.40 0.21             | 3/8"             | 71.0                  | 1.0                                 |
| QA-4507 | 1/4"(6)                 | 32000               | -----                  | 4.0(113)                            | 90(6.3)                   | 14-11/32"(364)              | 1500              | 0.88 0.40             | 3/8"             | 85.0                  | 1.2                                 |



**AIR ANGLE GRINDER**

**AIR ANGLE GRINDER**





# QB-7114 S/M

# QB-7115 S/M

# QB-7145 S/M

**20%**  
More Powerful

Compare With ordinary models

## 100° AIR ANGLE GRINDER / LEVER TYPE THROTTLE

Note : The grinding wheel is not supplied along with the tool  
Air inlet : 1/4"

6 pieces in one carton

- Strengthened motor design can reach 1.3HP.
- Metric and inch spindle design can meet accessory demands in every market.
- Spindle lock enables easier accessory changes.
- 100 degree design enables easier operation.
- Heavy duty air cooled spiral gears and double bearings for durability.



|              | Pad Dia<br>Inch(mm) | Spindle Size       | Free Speed<br>R.P.M | Avg. Air Consumption<br>CFM (L/min) | Air Pressure<br>PSI (bar) | Overall Length<br>Inch (mm) | Motor<br>HP | Net Weight<br>LBS(kg) | Air Hose<br>Inch | Sound Pressure<br>dBA | Vibration Level<br>m/s <sup>2</sup> |
|--------------|---------------------|--------------------|---------------------|-------------------------------------|---------------------------|-----------------------------|-------------|-----------------------|------------------|-----------------------|-------------------------------------|
| QB-7114(S/M) | 4"(100)             | 3/8"-24 / M10*P1.5 | 11000               | 4.2(119)                            | 90(6.3)                   | 9-1/8"(232)                 | 1.30        | 4.0 1.81              | 3/8"             | 90.0                  | 1.2                                 |
| QB-7115(S/M) | 5"(125)             | 5/8"-11 / M14*P2.0 | 11000               | 4.2(119)                            | 90(6.3)                   | 9-1/8"(232)                 | 1.30        | 4.0 1.81              | 3/8"             | 90.0                  | 1.2                                 |
| QB-7145(S/M) | 4-1/2"(114)         | 5/8"-11 / M14*P2.0 | 11000               | 4.2(119)                            | 90(6.3)                   | 9-1/8"(232)                 | 1.30        | 4.0 1.81              | 3/8"             | 90.0                  | 1.2                                 |

# AIR ANGLE GRINDER

AIR ANGLE GRINDER



## QB-104/105

AIR ANGLE GRINDER / Roll Type Throttle  
Air inlet : 1/4"

Note : The grinding wheel is not supplied along with the tool

10 pieces in one carton



## QB-114/115

AIR ANGLE GRINDER / Lever Type Throttle  
Air inlet : 1/4"

Note : The grinding wheel is not supplied along with the tool

10 pieces in one carton



## QB-124/125

AIR ANGLE GRINDER/LEVER TYPE THROTTLE  
Air inlet : 1/4"

Note : The grinding wheel is not supplied along with the tool

8 pieces in one carton



## QB-134/135 QB-154/155

AIR ANGLE GRINDER / LEVER TYPE THROTTLE  
Air inlet : 1/4"

Note : The grinding wheel is not supplied along with the tool

10 pieces in one carton



## QB-144/145 QB-164/165

AIR ANGLE GRINDER / ROLL TYPE THROTTLE

Air inlet : 1/4"

Note : The grinding wheel is not supplied along with the tool

10 pieces in one carton



## QB-107

AIR ANGLE GRINDER / ROLL TYPE THROTTLE

Air inlet : 3/8"

Note : The grinding wheel is not supplied along with the tool

6 pieces in one carton





## QB-117

**AIR ANGLE GRINDER / LEVER TYPE THROTTLE**

Air inlet : 3/8"

Note : The grinding wheel is not supplied along with the tool

6 pieces in one carton



## QB-177

**AIR ANGLE GRINDER / LEVER TYPE THROTTLE**

Air inlet : 3/8"

Note : The grinding wheel is not supplied along with the tool

6 pieces in one carton



|        | Pad Dia / Arbor Size | Spindle Size | Free Speed | Avg. Air Consumption | Air Pressure | Overall Length | Motor | Net Weight | Air Hose | Sound Pressure | Vibration Level  |
|--------|----------------------|--------------|------------|----------------------|--------------|----------------|-------|------------|----------|----------------|------------------|
|        | inch(mm)             |              | R.P.M      | CFM (L/min)          | PSI (bar)    | Inch (mm)      | HP    | LBS(kg)    | Inch     | dBA            | m/s <sup>2</sup> |
|        |                      |              |            |                      |              |                |       |            |          |                |                  |
| QB-104 | 4"(100x16)           | 3/8"-24      | 11000      | 6.0(170)             | 90(6.3)      | 8-7/8"(226)    | 0.78  | 4.0 1.81   | 3/8"     | 87.8           | 1.2              |
| QB-105 | 5"(125x22)           | 3/8"-24      | 11000      | 6.0(170)             | 90(6.3)      | 8-7/8"(226)    | 0.78  | 4.0 1.81   | 3/8"     | 87.1           | 1.2              |
| QB-114 | 4"(100x16)           | 3/8"-24      | 11000      | 6.0(170)             | 90(6.3)      | 9"(230)        | 0.78  | 4.0 1.81   | 3/8"     | 87.8           | 1.2              |
| QB-115 | 5"(125x22)           | 3/8"-24      | 11000      | 6.0(170)             | 90(6.3)      | 9"(230)        | 0.78  | 4.0 1.81   | 3/8"     | 87.1           | 1.2              |
| QB-124 | 4"(100x16)           | 3/8"-24      | 11000      | 6.0(170)             | 90(6.3)      | 9"(230)        | 0.80  | 3.8 1.73   | 3/8"     | 85.7           | 1.2              |
| QB-125 | 5"(125x22)           | 5/8"-11      | 11000      | 6.0(170)             | 90(6.3)      | 9"(230)        | 0.80  | 3.9 1.78   | 3/8"     | 87.0           | 1.2              |
| QB-134 | 4"(100x16)           | M10xP1.5     | 11000      | 6.0(170)             | 90(6.3)      | 9"(230)        | 0.78  | 4.0 1.81   | 3/8"     | 87.8           | 1.2              |
| QB-135 | 5"(125x22)           | M14xP2.0     | 11000      | 6.0(170)             | 90(6.3)      | 9"(230)        | 0.78  | 4.0 1.81   | 3/8"     | 87.1           | 1.2              |
| QB-144 | 4"(100x16)           | M10xP1.5     | 11000      | 6.0(170)             | 90(6.3)      | 8-7/8"(226)    | 0.78  | 4.0 1.81   | 3/8"     | 87.8           | 1.2              |
| QB-145 | 5"(125x22)           | M14xP2.0     | 11000      | 6.0(170)             | 90(6.3)      | 8-7/8"(226)    | 0.78  | 4.0 1.81   | 3/8"     | 87.8           | 1.2              |
| QB-154 | 4"(100x16)           | 3/8"-24      | 11000      | 6.0(170)             | 90(6.3)      | 9"(230)        | 0.78  | 3.8 1.73   | 3/8"     | 87.8           | 1.2              |
| QB-155 | 5"(125x22)           | 3/8"-24      | 11000      | 6.0(170)             | 90(6.3)      | 9"(230)        | 0.78  | 3.8 1.73   | 3/8"     | 87.8           | 1.2              |
| QB-164 | 4"(100x16)           | 3/8"-24      | 11000      | 6.0(170)             | 90(6.3)      | 8-7/8"(226)    | 0.78  | 4.0 1.81   | 3/8"     | 87.8           | 1.2              |
| QB-165 | 5"(125x22)           | 3/8"-24      | 11000      | 6.0(170)             | 90(6.3)      | 8-7/8"(226)    | 0.78  | 4.0 1.81   | 3/8"     | 87.8           | 1.2              |
| QB-107 | 7"(178x22)           | -----        | 7000       | 9.0(255)             | 90(6.3)      | 11-1/4"(290)   | 1.0   | 7.1 3.24   | 1/2"     | 89.7           | 1.0              |
| QB-117 | 7"(178x22)           | -----        | 7000       | 9.0(255)             | 90(6.3)      | 13-1/2"(343)   | 1.0   | 7.1 3.2    | 1/2"     | 89.7           | 1.0              |
| QB-177 | 7"(178x22)           | 5/8"-11      | 7600       | 6.0(170)             | 90(6.3)      | 11-13/16"(300) | 2.0   | 7.2 3.3    | 3/8"     | 92.0           | 2.7              |

# AIR ANGLE GRINDER

AIR ANGLE GRINDER



## QB-197Q

AIR ANGLE GRINDER / LEVER TYPE THROTTLE

Air inlet : 3/8"

Note : The grinding wheel is not supplied along with the tool

6 pieces in one carton



## QB-179

AIR VERTICAL GRINDER / LEVER TYPE THROTTLE

Air inlet : 1/2"

Note : The grinding wheel is not supplied along with the tool

4 pieces in one carton



## QB-185

AIR VERTICAL GRINDER / LEVER TYPE THROTTLE

Air inlet : 3/8"

Note : The grinding wheel is not supplied along with the tool

4 pieces in one carton



## QB-187

AIR VERTICAL GRINDER / LEVER TYPE THROTTLE

Air inlet : 3/8"

Note : The grinding wheel is not supplied along with the tool

4 pieces in one carton





## QB-194

**AIR ANGLE GRINDER / ROLL TYPE THROTTLE**

Air inlet : 3/8"

Note : The grinding wheel is not supplied along with the tool

10 pieces in one carton



## QB-194L

**AIR ANGLE GRINDER / LEVER TYPE THROTTLE**

Air inlet : 3/8"

Note : The grinding wheel is not supplied along with the tool

6 pieces in one carton



## QB-194-CN

**AIR ANGLE GRINDER / ROLL TYPE THROTTLE**

Air inlet : 3/8"

Note : The grinding wheel is not supplied along with the tool

10 pieces in one carton



## QB-195-85 QB-195-120

**AIR ANGLE GRINDER / ROLL TYPE THROTTLE**

Air inlet : 3/8"

Note : The grinding wheel is not supplied along with the tool

10 pieces in one carton



|            | Pad Dia / Arbor Size | Spindle Size | Free Speed | Avg. Air Consumption | Air Pressure | Overall Length | Motor | Net Weight | Air Hose | Sound Pressure | Vibration Level  |
|------------|----------------------|--------------|------------|----------------------|--------------|----------------|-------|------------|----------|----------------|------------------|
|            | inch(mm)             |              | R.P.M      | CFM (L/min)          | PSI (bar)    | Inch (mm)      | HP    | LBS(kg)    | Inch     | dBA            | m/s <sup>2</sup> |
|            |                      |              |            |                      |              |                |       |            |          |                |                  |
| QB-197Q    | 7"(178x22)           | 5/8"-11      | 7000       | 6.0(170)             | 90(6.3)      | 13-15/16"(353) | 2.2   | 6.8 3.1    | 3/8"     | 77.0           | 1.5              |
| QB-179     | 9"(230x22)           | 5/8"-11      | 6000       | 7.0(198)             | 90(6.3)      | 11"(279)       | 3.8   | 13.2 6.0   | 3/4"     | 86.0           | 2.1              |
| QB-185     | 5"(125x22)           | 5/8"-11      | 12000      | 6.0(170)             | 90(6.3)      | 9-9/64"(232)   | 1.4   | 6.2 2.8    | 1/2"     | 86.0           | 2.1              |
| QB-187     | 7"(178x22)           | 5/8"-11      | 7000       | 6.0(170)             | 90(6.3)      | 9-23/32"(247)  | 2.0   | 8.8 4.0    | 1/2"     | 86.0           | 2.1              |
| QB-194     | 4"(100x16)           | M8 X 1.25    | 12000      | 4.9(138)             | 90(6.3)      | 8-15/32"(215)  | 0.9   | 4.2 1.9    | 3/8"     | 91.0           | 2.6              |
| QB-194L    | 4"(100x16)           | M8 X 1.25    | 12000      | 4.9(138)             | 90(6.3)      | 10-23/32"(272) | 0.9   | 4.6 2.1    | 3/8"     | 89.0           | 2.5              |
| QB-194-CN  | 4"(100x16)           | M8 X 1.25    | 13500      | 4.8(136)             | 90(6.3)      | 8-15/64"(210)  | 0.8   | 4.2 1.9    | 3/8"     | 92.0           | 2.8              |
| QB-195-85  | 5"(125x22)           | 1/2"-13      | 8500       | 4.9(138)             | 90(6.3)      | 8-15/16"(227)  | 1.4   | 5.3 2.4    | 3/8"     | 91.0           | 2.1              |
| QB-195-120 | 5"(125x22)           | 1/2"-13      | 12000      | 5.1(144)             | 90(6.3)      | 8-15/16"(227)  | 1.4   | 5.3 2.4    | 3/8"     | 91.0           | 2.1              |

# AIR ANGLE GRINDER

AIR ANGLE GRINDER



## QB-195L-85 QB-195L-120

AIR ANGLE GRINDER / LEVER TYPE THROTTLE

Air inlet : 3/8"

Note : The grinding wheel is not supplied along with the tool

6 pieces in one carton



## QB-195CN

AIR ANGLE GRINDER / ROLL TYPE THROTTLE

Air inlet : 3/8"

Note : The grinding wheel is not supplied along with the tool

10 pieces in one carton



## QB-199 S/M

AIR ANGLE GRINDER / LEVER TYPE THROTTLE

Air inlet : 3/8"

Note : The grinding wheel is not supplied along with the tool

6 pieces in one carton



## QB-1004

AIR ANGLE GRINDER / ROLL TYPE THROTTLE

Air inlet : 1/4"

Note : The grinding wheel is not supplied along with the tool

6 pieces in one carton





## QB-2925

**AIR STRAIGHT GRINDER / ROLL TYPE THROTTLE**

Air inlet : 3/8"

Note : The grinding wheel is not supplied along with the tool

12 pieces in one carton



## QB-2925L

**AIR STRAIGHT GRINDER / LEVER TYPE THROTTLE**

Air inlet : 3/8"

Note : The grinding wheel is not supplied along with the tool

12 pieces in one carton



## QB-623

**2" AIR ANGLE GRINDER / LEVER TYPE THROTTLE**

Air inlet : 1/4"

- back exhaust design to reduce flying dusts
- suitable sizes for detailed sanding and trimming

20 pieces in one carton



|             | Pad Dia / Arbor Size<br>inch(mm) | Spindle Size         | Free Speed<br>R.P.M | Avg. Air Consumption<br>CFM (L/min) | Air Pressure<br>PSI (bar) | Overall Length<br>Inch (mm) | Motor<br>HP | Net Weight<br>LBS(kg) | Air Hose<br>Inch | Sound Pressure<br>dBA | Vibration Level<br>m/s <sup>2</sup> |
|-------------|----------------------------------|----------------------|---------------------|-------------------------------------|---------------------------|-----------------------------|-------------|-----------------------|------------------|-----------------------|-------------------------------------|
| QB-195L-85  | 5"(125x22)                       | 1/2"-13              | 8500                | 4.9(138)                            | 90(6.3)                   | 10-13/16"(275)              | 1.4         | 5.5 2.5               | 3/8"             | 91.0                  | 2.1                                 |
| QB-195L-120 | 5"(125x22)                       | 1/2"-13              | 12000               | 5.1(144)                            | 90(6.3)                   | 10-13/16"(275)              | 1.4         | 5.5 2.4               | 3/8"             | 91.0                  | 2.1                                 |
| QB-195-CN   | 5"(125x22)                       | M8 X 1.25            | 12000               | 4.9(138)                            | 90(6.3)                   | 8-15/32"(215)               | 1.0         | 4.4 2.0               | 3/8"             | 91.0                  | 2.6                                 |
| QB-199S     | 9"(230x22)                       | 5/8"                 | 5900                | 6.8(178)                            | 90(6.3)                   | 14"(360)                    | 2.5         | 9.9 4.5               | 3/8"             | 98.0                  | 3.75                                |
| QB-199M     | 9"(230x22)                       | M14 X P2.0           | 5900                | 6.8(178)                            | 90(6.3)                   | 14"(360)                    | 2.5         | 9.9 4.5               | 3/8"             | 98.0                  | 3.75                                |
| QB-1004     | 4" (100x16)                      | M8 X 1.25            | 13500               | 4.9(138)                            | 90(6.3)                   | 7-3/32"(215)                | 0.6         | 2.6                   | 3/8"             | 86.0                  | 2.5                                 |
| QB-2925     | (65x13x9.5)                      | 3/8"-16              | 16000               | 5.0(141)                            | 90(6.3)                   | 10-11/16"(270)              | 0.9         | 2.9 1.33              | 3/8"             | 90.0                  | 2.8                                 |
| QB-2925L    | (65x13x9.5)                      | 3/8"-16<br>(5/8"-11) | 16000               | 5.0(141)                            | 90(6.3)                   | 12-25/32"(215)              | 0.9         | 3.0 1.39              | 3/8"             | 90.0                  | 2.8                                 |
| QB-623      | 2"(50x10)                        | M14 X P2.0           | 19000               | 8.1(283)                            | 90(6.3)                   | 6-5/16"(160)                | 0.3         | 1.2 0.57              | 3/8"             | 80.0                  | 0.5                                 |



# AIR BELT SANDER



## QB-311

AIR BELT SANDER  
Air inlet : 1/4"

10 pieces in one carton

- Quick belt change function
- Belt automatically adjusts to correct position.
- Belt shroud protects hands.
- Rubber handle offers non-slip grip and insulates hands from cold housing.
- Common applications include sanding and smoothing of welds, paint, rust and deburring removal.



## QB-312

AIR BELT SANDER  
Air inlet : 1/4"

10 pieces in one carton

- Common applications include sanding and smoothing of welds, paint, rust and deburring removal in difficult-to-access locations



## QB-313

AIR BELT SANDER  
Air inlet : 1/4"

6 pieces in one carton



## QB-321

AIR BELT SANDER  
Air inlet : 1/4"

10 pieces in one carton



## QB-324

AIR BELT SANDER  
Air inlet : 1/4"

10 pieces in one carton

- Adjustable belt speed control regulator
- Common applications include sanding and smoothing of welds, paint, rust and deburring removal in difficult-to-access locations





## QB-322 QB-322C

### AIR BELT SANDER

Air inlet : 1/4"

10 pieces in one carton

- Ergonomic grip with streamline plastic cover
- Air regulator switch for speed adjusting
- No screw type -> 360 degree open shield, easy to change sanding belts



QB-322C:Rubber pulley



## QB-322RC

### AIR BELT SANDER - ANGLE FELXIBLE

Air inlet : 1/4"

Can be bent to 0~50 degrees

5-stage speed regulation 10000~16000R.P.M can be adjusted according to grinding conditions

<Rubber Pulley> equipped with single point operation grinding

Bending design for large diameter metal tubes with iron bars or large curved surfaces

10 pieces in one carton



## QB-325N[SET]

Belt Size

### AIR BELT SANDER

Air inlet : 1/4"

4 pieces in one carton

- Adjustable belt speed regulator.
- Non-woven abradive belt available.
- Ergonomic design for comfortable operation.
- 10x330mm / 3/8"x13"
- 3x330mm / 1/8"x13"
- 6x330mm / 1/4"x13"
- 20x330mm / 3/4"x13"
- 20x520mm / 3/4"x20-1/2"



QB-325P54 20x520mm / 3/4"x20-1/2"

QB-325P53 20x330mm / 3/4"x13"

QB-325P04 10x330mm / 3/8"x13"

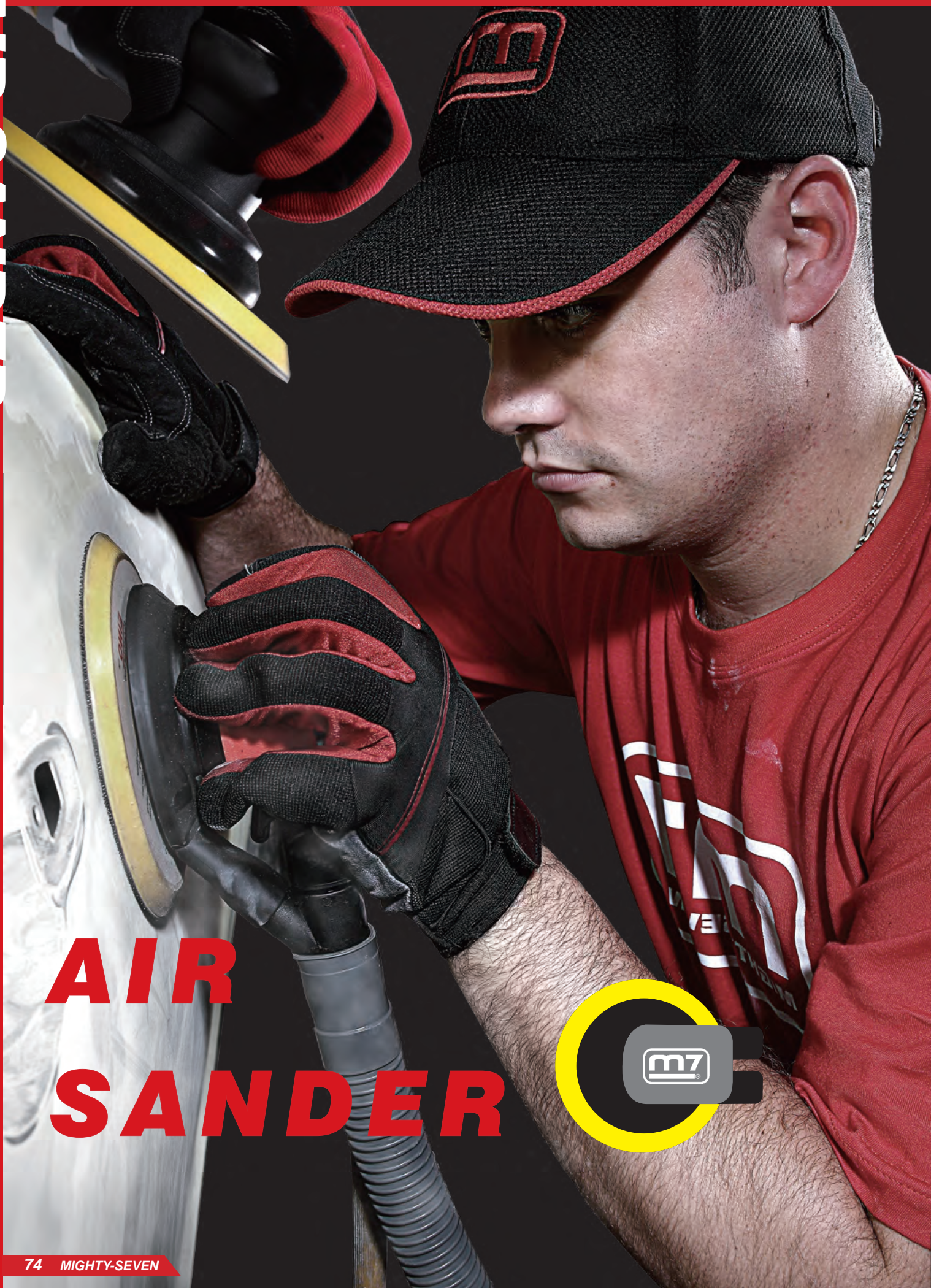
QB-325P52 6x330mm / 1/4"x13"

QB-325P51 3x330mm / 1/8"x13"



|          | Belt Size<br>Pad Dia  | Free<br>Speed | Avg. Air<br>Consumption | Air<br>Pressure | Overall<br>Length | Net<br>Weight | Air<br>Hose | Sound<br>Pressure | Vibration<br>Level |
|----------|---|---------------|-------------------------|-----------------|-------------------|---------------|-------------|-------------------|--------------------|
|          | inch(mm)  | R.P.M         | CFM (L/min)             | PSI (bar)       | Inch (mm)         | LBS<br>kg     | Inch        | dBA               | m/s <sup>2</sup>   |
|          |   |               |                         |                 |                   |               |             |                   |                    |
| QB-311   | 3/8"x13"(10x330)  | 16000         | 8.0(226)                | 90(6.3)         | 11-1/2"(290)      | 1.7<br>0.80   | 3/8"        | 89.7              | 0.5                |
| QB-312   | 3/4"x20-1/2"(20x520)  | 16000         | 9.0(254)                | 90(6.3)         | 14"(360)          | 2.6<br>1.20   | 3/8"        | 91.8              | 0.4                |
| QB-313   | 1-3/16"x21-1/4"(30x540)   | 13000         | 10.0(283)               | 90(6.3)         | 15-3/8"(390)      | 5.2<br>2.40   | 3/8"        | 81.0              | 1.2                |
| QB-321   | 3/8"x13"(10x330)  | 16000         | 4.0(113)                | 90(6.3)         | 12-5/8"(320)      | 2.1<br>0.95   | 3/8"        | 88.0              | 1.0                |
| QB-322   | 3/4"x20-1/2"(20x520)  | 16000         | 4.0(113)                | 90(6.3)         | 17"(430)          | 3.1<br>1.40   | 3/8"        | 88.0              | 1.3                |
| QB-322RC | 3/4"x20-1/2"(20x520)  | 16000         | 4.0(226)                | 90(6.3)         | 17"(430)          | 3.1<br>1.40   | 3/8"        | 88.0              | 1.3                |
| QB-324   | 1/2"x24"(12.7x610)  | 16000         | 4.0(113)                | 90(6.3)         | 18"(455)          | 2.4<br>1.10   | 3/8"        | 88.0              | 1.1                |
| QB-325   | 3/8"x13" (10X330)<br>1/8"x13" (3X330)<br>1/4"x13" (6X330)<br>3/4"x13" (20X330)<br>3/4"x20-1/2" (20X520) | 16000         | 4.0(113)                | 90(6.3)         | 12-5/8"(320)      | 2.1<br>0.95   | 3/8"        | 90.0              | 1.0                |

**AIR SANDER**



**AIR SANDER**





**NEW**



## QB-51612 QB-51602

**AIR RANDOM ORBITALS  
CENTRAL-VACUUM**

Air inlet : 1/4"

**10** pieces in one carton

- With automatic brake function, it will not hurt the object.
- Brake function seal also improve vacuuming efficiency.
- Multiple holes sanding pad included.



|          | Pad Dia  | Free Speed | Avg. Air Consumption | Air Pressure | Overall Length | Motor | Net Weight |      | Air Hose | Sound Pressure | Vibration Level  | orbit |
|----------|----------|------------|----------------------|--------------|----------------|-------|------------|------|----------|----------------|------------------|-------|
|          | inch(mm) | R.P.M      | CFM (L/min)          | PSI (bar)    | Inch (mm)      | HP    | lbs(kg)    |      | Inch     | dBA            | m/s <sup>2</sup> | mm    |
|          |          |            |                      |              |                |       |            |      |          |                |                  |       |
| QB-51612 | 6"(152)  | 12000      | 5(141)               | 90(6.3)      | 6"(152)        | 0.24  | 2          | 0.95 | 3/8"     | 81             | 1.5              | 2.5   |
| QB-51602 | 6"(152)  | 12000      | 5(141)               | 90(6.3)      | 6"(152)        | 0.24  | 2          | 0.95 | 3/8"     | 81             | 1.5              | 5     |

# AIR SANDER

## Non-Vacuum SERIES



### QB-52

5" QB-52502 5mm orbit  
6" QB-52602 5mm orbit  
AIR RANDOM ORBITAL SANDER  
NON-VACUUM

Air inlet : 1/4"

10 pieces in one carton



### QB-55

6" QB-55602 5mm orbit  
AIR RANDOM ORBITAL SANDER  
NON-VACUUM  
Air inlet : 1/4"

10 pieces in one carton



### QB-46

5" QB-46502 5mm orbit | 6" QB-46602 5mm orbit  
5" QB-46512 2.5mm orbit | 6" QB-46612 2.5mm orbit  
AIR RANDOM ORBITAL SANDER  
NON-VACUUM

Air inlet : 1/4"

- Excellent for refinishing or smoothing the surface of metal, wood, leather etc.

10 pieces in one carton



### QB-42

5" QB-42502 5mm orbit  
6" QB-42602 5mm orbit  
AIR RANDOM ORBITAL SANDER  
NON-VACUUM

Air inlet : 1/4"

10 pieces in one carton



### 6" QB-49602

DUAL ACTION SANDER  
NON-VACUUM 9.5mm orbit  
Air inlet : 1/4"

10 pieces in one carton



### 5" QB-58502 6" QB-58602

AIR 2-HAND RANDOM ORBITAL SANDER  
NON-VACUUM 5mm orbit  
Air inlet : 1/4"

10 pieces in one carton





## 5" QB-58542 6" QB-58642

**AIR 2-HAND RANDOM ORBITAL SANDER**  
**NON-VACUUM 5mm orbit**

Air inlet : 1/4"

- Gear transmission for quicker hard sanding, saving time and longer lifespan.
- Aluminum alloy body housing completely covered with composite materials, robust and no cold feeling during long time usage.
- Long grip can reduce reaction while sanding.
- Air regulator switch for speed adjusting.

**10** pieces in one carton



Air regulator



Gear driven

|          | Pad Dia  | Free Speed | Avg. Air Consumption | Air Pressure | Overall Length | Motor | Net Weight | Air Hose | Sound Pressure | Vibration Level  | orbit |
|----------|----------|------------|----------------------|--------------|----------------|-------|------------|----------|----------------|------------------|-------|
|          | inch(mm) | R.P.M      | CFM (L/min)          | PSI (bar)    | Inch (mm)      | HP    | LBS(kg)    | Inch     | dBA            | m/s <sup>2</sup> | mm    |
|          |          |            |                      |              |                |       |            |          |                |                  |       |
| QB-52502 | 5"(127)  | 10000      | 6.0(170)             | 90(6.3)      | 6"(153)        | 0.24  | 2.2 1.00   | 3/8"     | 87.6           | 1.2              | 5     |
| QB-52602 | 6"(152)  | 10000      | 6.0(170)             | 90(6.3)      | 6-1/2"(166)    | 0.24  | 2.6 1.20   | 3/8"     | 87.6           | 1.7              | 5     |
| QB-55602 | 6"(152)  | 10000      | 3.0(85)              | 90(6.3)      | 6-11/16"(157)  | 0.24  | 1.5 0.68   | 3/8"     | 81.6           | 1.5              | 5     |
| QB-42502 | 5"(127)  | 10000      | 3.85(109)            | 90(6.3)      | 6"(153)        | 0.24  | 1.7 0.81   | 3/8"     | 75.7           | 1.4              | 5     |
| QB-42602 | 6"(152)  | 10000      | 3.85(109)            | 90(6.3)      | 6-1/2"(166)    | 0.24  | 1.8 0.85   | 3/8"     | 74.4           | 1.4              | 5     |
| QB-49602 | 6"(152)  | 10000      | 3.60(102)            | 90(6.3)      | 8-21/32"(220)  | 0.75  | 2.0 0.91   | 3/8"     | 92.5           | 3.3              | 9.5   |
| QB-46502 | 5"(127)  | 10000      | 3.85(109)            | 90(6.3)      | 6"(153)        | 0.24  | 1.7 0.79   | 3/8"     | 80.1           | 2.2              | 5     |
| QB-46512 | 5"(127)  | 10000      | 3.85(109)            | 90(6.3)      | 6"(153)        | 0.24  | 1.7 0.79   | 3/8"     | 80.1           | 2.2              | 2.5   |
| QB-46602 | 6"(152)  | 10000      | 3.85(109)            | 90(6.3)      | 6-1/2"(166)    | 0.24  | 1.7 0.79   | 3/8"     | 80.1           | 2.2              | 5     |
| QB-46612 | 6"(152)  | 10000      | 3.85(109)            | 90(6.3)      | 6-1/2"(166)    | 0.24  | 1.7 0.79   | 3/8"     | 80.1           | 2.2              | 2.5   |
| QB-58502 | 5"(127)  | 10000      | 3.10(88)             | 90(6.3)      | 9-7/16"(240)   | 0.4   | 2.6 1.2    | 3/8"     | 80.0           | 1.3              | 5     |
| QB-58602 | 6"(152)  | 10000      | 3.10(88)             | 90(6.3)      | 9-7/16"(240)   | 0.4   | 2.6 1.2    | 3/8"     | 80.0           | 1.3              | 5     |
| QB-58542 | 5"(127)  | 900        | 3.10(88)             | 90(6.3)      | 9-7/16"(240)   | 0.4   | 3.3 1.5    | 3/8"     | 82.0           | <2.5             | 5     |
| QB-58642 | 6"(152)  | 900        | 3.10(88)             | 90(6.3)      | 9-7/16"(240)   | 0.4   | 3.5 1.6    | 3/8"     | 82.0           | <2.5             | 5     |

# AIR SANDER

AIR SANDER

## Self-Generated Vacuum SERIES



### QB-56602

6" AIR RANDOM ORBITAL SANDER  
SELF-GENERATED VACUUM 5mm orbit  
Air inlet : 1/4"

10 pieces in one carton



### QB-53

5" QB-53802 5mm orbit  
6" QB-53902 5mm orbit  
AIR RANDOM ORBITAL SANDER  
SELF-GENERATED VACUUM

Air inlet : 1/4" 10 pieces in one carton



### QB-47

6" QB-47602 5mm orbit  
6" QB-47612 2.5mm orbit  
AIR RANDOM ORBITAL SANDER  
SELF-GENERATED VACUUM  
Air inlet : 1/4"

10 pieces in one carton

- Excellent for refinishing or smoothing the surface of metal, wood, leather etc.



### QB-43

5" QB-43802 5mm orbit  
6" QB-43902 5mm orbit  
AIR RANDOM ORBITAL SANDER  
SELF-GENERATED VACUUM  
Air inlet : 1/4"

10 pieces in one carton





## 6" QB-59602

AIR 2-HAND RANDOM ORBITAL SANDER  
 SELF-GENERATED VACUUM 5mm orbit  
 Air inlet : 1/4"

6 pieces in one carton

- Aluminum alloy body housing completely covered with composite materials,
- robust and no cold feeling during long time usage.
- Long grip can reduce reaction while sanding.
- Air adjusting switch for adjusting speed.



## 6" QB-59642

AIR 2-HAND RANDOM ORBITAL SANDER  
 SELF-GENERATED VACUUM 5mm orbit  
 Air inlet : 1/4"

6 pieces in one carton



|          | Pad Dia  | Free Speed | Avg. Air Consumption | Air Pressure | Overall Length | Motor | Net Weight | Air Hose | Sound Pressure | Vibration Level  | orbit |
|----------|----------|------------|----------------------|--------------|----------------|-------|------------|----------|----------------|------------------|-------|
|          | inch(mm) | R.P.M      | CFM (L/min)          | PSI (bar)    | Inch (mm)      | HP    | LBS(kg)    | Inch     | dBA            | m/s <sup>2</sup> | mm    |
|          |          |            |                      |              |                |       |            |          |                |                  |       |
| QB-53802 | 5"(127)  | 10000      | 6(170)               | 90(6.3)      | 6"(153)        | 0.24  | 2.2 1.00   | 3/8"     | 86.2           | 1.1              | 5     |
| QB-53902 | 6"(152)  | 10000      | 6(170)               | 90(6.3)      | 6-1/2"(166)    | 0.24  | 2.6 1.20   | 3/8"     | 80.1           | 1.6              | 5     |
| QB-43802 | 5"(127)  | 10000      | 3.85(109)            | 90(6.3)      | 8"(206)        | 0.24  | 3.2 1.49   | 3/8"     | 83.9           | 1.3              | 5     |
| QB-43902 | 6"(152)  | 10000      | 3.85(109)            | 90(6.3)      | 8-3/4"(221)    | 0.24  | 3.3 1.54   | 3/8"     | 83.0           | 1.4              | 5     |
| QB-47602 | 6"(152)  | 10000      | 3.85(109)            | 90(6.3)      | 7-1/2"(193)    | 0.24  | 2.4 1.13   | 3/8"     | 84.7           | 2.2              | 5     |
| QB-47612 | 6"(152)  | 10000      | 3.85(109)            | 90(6.3)      | 7-1/2"(193)    | 0.24  | 2.4 1.13   | 3/8"     | 84.7           | 2.2              | 2.5   |
| QB-56602 | 6"(152)  | 10000      | 3.0(85)              | 90(6.3)      | 8-1/4"(210)    | 0.24  | 1.7 0.78   | 3/8"     | 81.6           | 1.5              | 5     |
| QB-59602 | 6"(152)  | 10000      | 3.10(88)             | 90(6.3)      | 9-7/16"(240)   | 0.4   | 2.6 1.2    | 3/8"     | 80.0           | 1.3              | 5     |
| QB-59642 | 6"(152)  | 900        | 3.10(88)             | 90(6.3)      | 9-7/16"(240)   | 0.4   | 3.5 1.6    | 3/8"     | 82.0           | <2.5             | 5     |



# AIR SANDER

AIR SANDER

## Central-Vacuum SERIES



### QB-45

6" QB-45602 5mm orbit  
6" QB-45612 2.5mm orbit  
AIR RANDOM ORBITAL SANDER  
CENTRAL-VACUUM

Air inlet : 1/4" **10** pieces in one carton

- Excellent for refinishing or smoothing the surface of metal, wood, leather etc.



### QB-41

6" QB-41902 5mm orbit  
AIR RANDOM ORBITAL SANDER  
CENTRAL-VACUUM

Air inlet : 1/4" **10** pieces in one carton



### QB-54

6"QB-54602 (six hole Pad)  
6"QB-54702 (fifteen hole Pad)  
AIR RANDOM ORBITAL SANDER  
CENTRAL-VACUUM

Air inlet : 1/4" **10** pieces in one carton

- Composite body housing, light weight
- Strengthened composite rotor, durable and longer lifetime



### 6" QB-57602

AIR 2-HAND RANDOM ORBITAL SANDER  
CENTRAL-VACUUM 5mm orbit

Air inlet : 1/4"

**6** pieces in one carton



### 6" QB-57642

AIR 2-HAND RANDOM ORBITAL SANDER  
CENTRAL-VACUUM 5mm orbit

Air inlet : 1/4"

**6** pieces in one carton



Air sander



## QB-48012

AIR JITTERBUG SANDER  
NON-VACUUM 2.5mm orbit

Air inlet : 1/4"

12 pieces in one carton



## QB-48111

AIR JITTERBUG SANDER  
NON-VACUUM 2.5mm orbit

Air inlet : 1/4"

10 pieces in one carton



## QB-48112

AIR JITTERBUG SANDER  
NON-VACUUM 2.5mm orbit

Air inlet : 1/4"

12 pieces in one carton



## QB-48212

AIR JITTERBUG SANDER  
NON-VACUUM 2.5mm orbit

Air inlet : 1/4"

12 pieces in one carton



## QB-48211

AIR STRAIGHT LINE SANDER  
NON-VACUUM 2.5mm orbit

Air inlet : 1/4"

5 pieces in one carton



|          | Pad Dia                | Free Speed | Avg. Air Consumption | Air Pressure | Overall Length | Motor | Net Weight | Air Hose | Sound Pressure | Vibration Level  | orbit |
|----------|------------------------|------------|----------------------|--------------|----------------|-------|------------|----------|----------------|------------------|-------|
|          | inch(mm)               | R.P.M      | CFM (L/min)          | PSI (bar)    | Inch (mm)      | HP    | LBS(kg)    | Inch     | dBA            | m/s <sup>2</sup> | mm    |
|          |                        |            |                      |              |                |       |            |          |                |                  |       |
| QB-41902 | 6"(152)                | 10000      | 3.85(109)            | 90(6.3)      | 8"(206)        | 0.24  | 2.0 0.91   | 3/8"     | 81.5           | 1.2              | 5     |
| QB-45602 | 6"(152)                | 10000      | 3.85(109)            | 90(6.3)      | 7-1/2"(193)    | 0.24  | 1.8 0.84   | 3/8"     | 81.6           | 2.2              | 5     |
| QB-45612 | 6"(152)                | 10000      | 3.85(109)            | 90(6.3)      | 7-1/2"(193)    | 0.24  | 1.8 0.84   | 3/8"     | 81.6           | 2.2              | 2.5   |
| QB-57602 | 6"(152)                | 10000      | 3.10(88)             | 90(6.3)      | 9-7/16"(240)   | 0.4   | 2.6 1.2    | 3/8"     | 80.0           | 1.3              | 5     |
| QB-57642 | 6"(152)                | 900        | 3.10(88)             | 90(6.3)      | 9-7/16"(240)   | 0.4   | 3.5 1.6    | 3/8"     | 82.0           | <2.5             | 5     |
| QB-48012 | 3"x4"(75x100)          | 10000      | 5.0(141)             | 90(6.3)      | 5-3/8"(137)    | 0.24  | 1.83 0.83  | 3/8"     | 83.0           | 1.5              | 2.5   |
| QB-48111 | 4"x4-3/8"(100x110)     | 11000      | 7.0(198)             | 90(6.3)      | 5-1/5"(130)    | 0.28  | 2.0 0.91   | 3/8"     | 83.0           | 1.5              | 2.5   |
| QB-48112 | 4"x4-3/8"(100x110)     | 10000      | 5.0(141)             | 90(6.3)      | 5-3/8"(136)    | 0.24  | 1.7 0.78   | 3/8"     | 83.0           | 1.5              | 2.5   |
| QB-48211 | 2-1/2"x15-3/4"(64x400) | 2100       | 5.0(141)             | 90(6.3)      | 17-1/2"(444)   | 0.24  | 6.1 2.8    | 3/8"     | 83.0           | 1.5              | 2.5   |
| QB-48212 | 7"x3-1/2"(93x180)      | 10000      | 5.0(141)             | 90(6.3)      | 7"(180)        | 0.24  | 2.0 0.94   | 3/8"     | 83.0           | 1.5              | 2.5   |
| QB-54602 | 6"(152)                | 10000      | 3.0(85)              | 90(6.3)      | 8-1/4"(210)    | 0.24  | 1.7 0.78   | 3/8"     | 81.6           | 1.5              | 5     |
| QB-54702 | 6"(152)                | 10000      | 3.0(85)              | 90(6.3)      | 8-1/4"(210)    | 0.24  | 1.7 0.78   | 3/8"     | 81.6           | 1.5              | 5     |

# AIR PISTOL POLISHER



## QP-113

AIR PISTOL SANDER 2.5mm orbit

Air inlet : 1/4"

10 pieces in one carton



## QP-123

AIR PISTOL POLISHER

Air inlet : 1/4"

10 pieces in one carton



## QP-215

AIR HIGH SPEED SANDER

Air inlet : 1/4"

10 pieces in one carton



## QP-317

AIR ANGLE POLISHER

Air inlet : 1/4"

10 pieces in one carton



## QP-307 M/S

AIR ANGLE SANDER

Air inlet : 1/4"

## QP-327 M/S

AIR ANGLE POLISHER

Air inlet : 1/4"

10 pieces in one carton



## QP-335

VERTICAL POLISHER

Air inlet : 1/4"

10 pieces in one carton



|        | Pad Dia<br>inch(mm) | Spindle Size | Free Speed<br>R.P.M | Avg. Air Consumption<br>CFM (L/min) | Air Pressure<br>PSI (bar) | Overall Length<br>Inch (mm) | Motor<br>HP | Net Weight<br>LBS(kg) | Air Hose<br>Inch | Sound Pressure<br>dBA | Vibration Level<br>m/s <sup>2</sup> | orbit<br>mm |
|--------|---------------------|--------------|---------------------|-------------------------------------|---------------------------|-----------------------------|-------------|-----------------------|------------------|-----------------------|-------------------------------------|-------------|
| QP-113 | 3"(76)              | 5/16"-24     | 15000               | 3.5(99)                             | 90(6.3)                   | 5"(127)                     | 0.40        | 1.5 0.72              | 3/8"             | 74.0                  | 0.3                                 | 2.5         |
| QP-123 | 3"(76)              | 7/16"-20     | 2100                | 3.5(99)                             | 90(6.3)                   | 5-5/16"(135)                | 0.40        | 1.6 0.77              | 3/8"             | 74.0                  | 0.3                                 | ----        |
| QP-215 | 4-2/1"              | 7/16"-20     | 16000               | 6.5(184)                            | 90(6.3)                   | 6-19/64"(160)               | 0.80        | 2.6 1.20              | 3/8"             | 60.0                  | 1.8                                 | ----        |
| QP-317 | 7"(178)             | 5/8"-11      | 2500                | 6.0(169)                            | 90(6.3)                   | 16"(406)                    | 0.40        | 4.0 2.04              | 3/8"             | 84.0                  | 2.5                                 | ----        |
| QP-307 | 7"(178)             | M14xP2       | 4500                | 6.0(169)                            | 90(6.3)                   | 16"(406)                    | 0.40        | 4.0 2.04              | 3/8"             | 84.0                  | 2.5                                 | ----        |
| QP-327 | 7"(178)             | M14xP2       | 2500                | 6.0(169)                            | 90(6.3)                   | 16"(406)                    | 0.40        | 4.0 2.04              | 3/8"             | 84.0                  | 2.5                                 | ----        |
| QP-335 | 5"(127)             | 5/16"-24     | 3000                | 3.65(105)                           | 90(6.3)                   | 8"(203)                     | 0.55        | 1.12 0.53             | 1/4"             | 85.0                  | ----                                | ----        |

**AIR  
CUTTING  
TOOLS**

# AIR CUTTING TOOLS

AIR CUTTING TOOLS



## QD-321

### LOW VIBRATION AIR BODY SAW

Air inlet : 1/4"

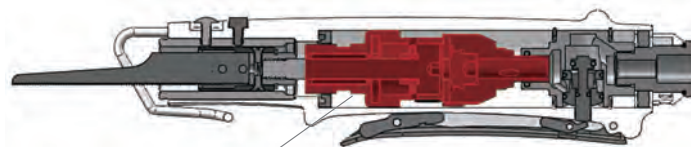
10 pieces in one carton

**30%**  
Lower  
Vibration

**20%**  
Efficiency

#### Compare With ordinary models

- Special air flow design to reduce vibration 30%
- streamline modelling for better ergonomics
- Long stroke to raise work efficiency 20%
- Cylinder specially processed to raise lifetime 30%



vibration-reduced cylinder design



|        | Strokes Length<br>mm | Strokes Per min.<br>S.P.M | Avg. Air Consumption<br>CFM (L/min) | Air Pressure<br>PSI (bar) | Overall Length<br>Inch (mm) | Net Weight<br>LBS kg | Air Hose<br>Inch | Sound Pressure<br>dBA | Vibration Level<br>m/s <sup>2</sup> |
|--------|----------------------|---------------------------|-------------------------------------|---------------------------|-----------------------------|----------------------|------------------|-----------------------|-------------------------------------|
|        |                      | S.P.M                     |                                     |                           |                             |                      |                  |                       |                                     |
| QD-321 | 14.5                 | 11000                     | 4.5 (113)                           | 90(6.3)                   | 9-1/4"(230)                 | 1.7 0.6              | 3/8"             | 83.0                  | 2.0                                 |



## QC-234

4" HEAVY DUTY AIR CUT-OFF TOOL

Note: wheel is supplied with the tool

Available Dimension of inner hold : Ø 10mm Air inlet : 1/4"

10 pieces in one carton



- Excellent for cutting rusted bolts, nuts, motor exhaust clamps or hangers, sheet metal, fiberglass etc.



## QC-213

3" HEAVY DUTY AIR CUT-OFF TOOL

Note: wheel is supplied with the tool

Available Dimension of inner hold : Ø 10mm Air inlet : 1/4"

- 0.9hp high power motor
- Excellent for cutting rusted bolts, nuts, motor exhaust clamps or hangers, sheet metal, fiberglass etc.

20 pieces in one carton



3" wheel



## QC-253

3" AIR CUT-OFF TOOL

Note: wheel is supplied with the tool

Air inlet : 1/4"

10 pieces in one carton



## QC-254

4" AIR CORNER CUT-OFF TOOL

Note: wheel is supplied with the tool

Available Dimension of inner hold : Ø 10mm

Air inlet : 1/4"

10 pieces in one carton



## PN-150 PN-180

AIR PUNCH & FLANGE TOOL

Air inlet : 1/4"

10 pieces in one carton



## PN-250 PN-280

AIR PUNCH & FLANGE TOOL

Air inlet : 1/4"

10 pieces in one carton



|        | Belt Size<br>Pad Dia<br>inch(mm) | Free<br>Speed<br>R.P.M | Avg. Air<br>Consumption<br>CFM (L/min) | Air<br>Pressure<br>PSI (bar) | Overall<br>Length<br>Inch (mm) | Motor<br>HP | Net<br>Weight<br>LBS | kg  | Air<br>Hose<br>Inch | Sound<br>Pressure<br>dBA | Vibration<br>Level<br>m/s <sup>2</sup> |
|--------|----------------------------------|------------------------|--|------------------------------|--------------------------------|-------------|----------------------|-----|---------------------|--------------------------|--|
|        |                                  |                        |  |                              |                                |             |                      |     |                     |                          |  |
| QC-213 | 3"(75)                           | 20000                  | 10.0(283)                              | 90(6.3)                      | 7-7/8"(200)                    | 0.9         | 1.9                  | 0.8 | 3/8"                | 80.2                     | 10.8                                   |
| QC-234 | 4"(100)                          | 16000                  | 10.0(283)                              | 90(6.3)                      | 14"(355)                       | 0.9         | 3.5                  | 1.5 | 3/8"                | 85.0                     | 5.0                                    |
| QC-253 | 3"(75)                           | 24000                  | 4.0(113)                               | 90(6.3)                      | 8"(203)                        | 0.6         | 1.7                  | 0.8 | 3/8"                | 91.0                     | 1.2                                    |
| QC-254 | 4"(100)                          | 20000                  | 5.0(141)                               | 90(6.3)                      | 8-1/8"(206)                    | 0.6         | 2.0                  | 0.9 | 3/8"                | 81.0                     | 0.8                                    |

|        | Punch Diameter | Capacity       | Avg. Air<br>Consumption | Air<br>Pressure | Overall<br>Length | Net<br>Weight | Air<br>Hose | Sound<br>Pressure | Vibration<br>Level |     |
|--------|----------------|----------------|-------------------------|-----------------|-------------------|---------------|-------------|-------------------|--------------------|-----|
|        |                |                |                         |                 |                   |               |             |                   |                    |     |
| PN-150 | 5              | 1.6 mm (Steel) | 4.0(113)                | 90(6.3)         | 10"(254)          | 2.5           | 1.15        | 3/8"              | 62.0               | 0.1 |
| PN-180 | 8              | 1.2 mm (Steel) | 4.0(113)                | 90(6.3)         | 10"(254)          | 2.5           | 1.15        | 3/8"              | 62.0               | 0.1 |
| PN-250 | 5              | 1.6 mm (Steel) | 4.0(113)                | 90(6.3)         | 7-15/32"(190)     | 2.6           | 1.15        | 3/8"              | 62.0               | 0.1 |
| PN-280 | 8              | 1.2 mm (Steel) | 4.0(113)                | 90(6.3)         | 7-15/32"(190)     | 2.6           | 1.15        | 3/8"              | 62.0               | 0.1 |

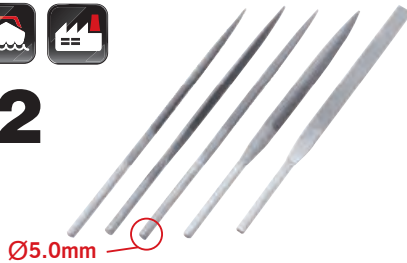
# AIR CUTTING TOOLS



## QD-242

AIR FILE WITH HOSE  
Air inlet : 1/4"

10 pieces in one carton



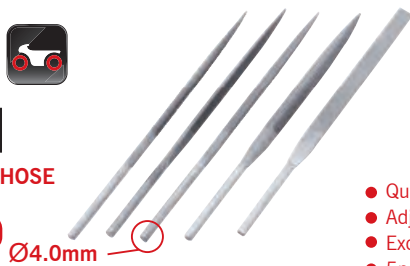
• 5pcs 5.0mm file set included



## QD-221

AIR SAW / FILE WITH HOSE  
Air inlet : 1/4"

10 pieces in one carton



- Quick change saw blade holder allows for easy blade changing
- Adjustable guard / guide controls depth of cut precisely
- Excellent for cutting sheet aluminum, plastic and sheet metal up to 1.6mm
- 5pcs 4.0mm file set included
- 1pc 32T + 1pc 24T saw blade included



## QD-230

AIR MINI SAW WITH HOSE  
Air inlet : 1/4"

10 pieces in one carton



- 4pcs 5.0mm file set included
- 1pc 32T saw blade included



## QD-291N

AIR SAW SET  
Air inlet : 1/4"

10 pieces in one carton

- Quick change saw blade holder allows blade changing easily.
- Adjustable guard / guide controls depth of cut precisely.

### Contents

- Air saw tool (1 pcs)
- 24T Saw Blade (6 pcs)
- 32T Saw Blade (6 pcs)
- Allen Key: 4mm, 3mm (1pcs)
- 1/4" 360° plug
- 5 Pieces file set
- Mini oiler 1/4" (1 pcs)



|        | Strokes Length | Strokes Per min. | Collet Size | Avg. Air Consumption | Air Pressure | Overall Length | Net Weight |      | Air Hose | Sound Pressure | Vibration Level |
|--------|----------------|------------------|-------------|----------------------|--------------|----------------|------------|------|----------|----------------|-----------------|
|        | mm             | S.P.M            | mm          | CFM (L/min)          | PSI (bar)    | Inch (mm)      | LBS        | kg   | Inch     | dBA            | m/s²            |
|        |                | S.P.M            |             |                      |              |                |            |      |          |                |                 |
| QD-221 | 10             | 5000             | 4.0         | 4.0 (113)            | 90(6.3)      | 9-3/4"(250)    | 1.76       | 0.8  | 3/8"     | 81.9           | 4.1             |
| QD-230 | 5              | 7000             | 5.0         | 2.5 (70)             | 90(6.3)      | 7"(180)        | 1.10       | 0.5  | 3/8"     | 80.0           | 2.4             |
| QD-242 | 5              | 7000             | 5.0         | 5.3 (150)            | 90(6.3)      | 17-9/16"(700)  | 1.28       | 0.58 | 3/8"     | 80.0           | 4.5             |
| QD-291 | 10             | 9000             | 5.0         | 4.0 (113)            | 90(6.3)      | 9-1/4"(235)    | 1.30       | 0.6  | 3/8"     | 80.0           | 2.4             |

★★★★  
★★★★

## QK-121

AIR KNIFE  
Air inlet : 1/4"



QB-9320



★★★★  
★★★★

## QK-111

AIR KNIFE  
Air inlet : 1/4"

10 pieces in one carton



★★★★  
★★★★

## QG-102

AIR SHEAR / Straight Type  
Air inlet : 1/4"

10 pieces in one carton



★★★★  
★★★★

## QG-202

AIR SHEAR / Pistol Type  
Air inlet : 1/4"

10 pieces in one carton



★★★★  
★★★★

## QG-103

AIR NIBBLER  
Air inlet : 1/4"

10 pieces in one carton



|        | Oscillation<br>per min | Avg. Air Consumption<br>CFM (L/min) | Overall Length<br>Inch (mm) | Net Weight<br>LBS(kg) | Air Hose<br>Inch | Sound Pressure<br>dBA | Vibration Level<br>m/s <sup>2</sup> |
|--------|------------------------|-------------------------------------|-----------------------------|-----------------------|------------------|-----------------------|-------------------------------------|
|        |                        |                                     |                             |                       |                  |                       |                                     |
| QK-111 | 20000                  | 6.0(170)                            | 7-5/64" (180)               | 2.4(1.1)              | 10               | 75                    | 3.9                                 |
| QK-121 | 19000                  | 4.3(121)                            | 6-15/16" (176)              | 1.3(0.6)              | 10               | 91                    | 2.8                                 |

|        | Strokes Per min<br>S.P.M | Avg. Air Consumption<br>CFM (L/min) | Air Pressure<br>PSI (bar) | Overall Length<br>Inch (mm) | Net Weight<br>LBS kg | Air Hose<br>Inch | Sound Pressure<br>dBA | Vibration Level<br>m/s <sup>2</sup> | Cut Capacity<br>mm |          |
|--------|--------------------------|-------------------------------------|---------------------------|-----------------------------|----------------------|------------------|-----------------------|-------------------------------------|--------------------|----------|
|        |                          |                                     |                           |                             |                      |                  |                       |                                     | steel              | aluminum |
| QG-102 | 2600                     | 6.0(170)                            | 90(6.3)                   | 10"(254)                    | 2.2 1.00             | 3/8"             | 85.8                  | 2.4                                 | 1.2                | 1.6      |
| QG-202 | 2600                     | 6.5(184)                            | 90(6.3)                   | 8-1/4"(210)                 | 2.4 1.10             | 3/8"             | 89.1                  | 2.9                                 | 1.2                | 1.6      |
| QG-103 | 2600                     | 3.0 (85)                            | 90(6.3)                   | 7-3/5"(193)                 | 2.2 1.00             | 3/8"             | 88.0                  | 2.8                                 | 1.2                | 1.6      |



**AIR DRILL**

**AIR  
DRILL**



# QE-831

## 3/8" AIR REVERSIBLE DRILL WITH KEYLESS CHUCK

Air inlet : 1/4"

10 pieces in one carton

- one finger forward/reverse switch.
- Planet gear to strengthen drilling capability.



3pcs Planet Gear

|        | Chuck Size | Free Speed | Motor | Avg. Air Consumption | Air Pressure | Overall Length | Net Weight | Air Hose | Sound Pressure | Vibration Level  |
|--------|------------|------------|-------|----------------------|--------------|----------------|------------|----------|----------------|------------------|
|        | inch(mm)   | R.P.M      | hp    | CFM (L/min)          | PSI (bar)    | Inch (mm)      | LBS kg     | Inch     | dBA            | m/s <sup>2</sup> |
| QE-831 | 3/8"(10)   | 1800       | 0.45  | 4.0(113)             | 90(6.3)      | 7-1/4"(185)    | 2.5 1.10   | 3/8"     | 83.0           | 0.3              |

# AIR DRILL

# 3/8"

## Chuck Size



### QE-331/332

QE-331 3/8" AIR REVERSIBLE DRILL  
QE-332 3/8" AIR DRILL  
With Keyless Chuck  
Air inlet : 1/4"

10 pieces in one carton



3pcs Planet Gear



### QE-333/334

QE-333 3/8" AIR REVERSIBLE DRILL  
QE-334 3/8" AIR DRILL  
With Key Chuck  
Air inlet : 1/4"

10 pieces in one carton



3pcs Planet Gear



### QE-833

3/8" AIR REVERSIBLE DRILL  
With Key Chuck  
Air inlet : 1/4"

10 pieces in one carton



3pcs Planet Gear



### QE-431/432

QE-431 3/8" AIR REVERSIBLE DRILL  
QE-432 3/8" AIR DRILL  
With Keyless Chuck  
Air inlet : 1/4"

10 pieces in one carton



2pcs Planet Gear  
with bearing



### QE-433/434

QE-433 3/8" AIR REVERSIBLE DRILL  
QE-434 3/8" AIR DRILL  
With Key Chuck  
Air inlet : 1/4"

10 pieces in one carton



2pcs Planet Gear  
with bearing



### QE-532

3/8" AIR DRILL  
With Keyless Chuck  
Air inlet : 1/4"

10 pieces in one carton



3pcs Planet Gear  
with bearing



## QE-533

3/8" AIR REVERSIBLE DRILL  
With Key Chuck  
Air inlet : 1/4"

10 pieces in one carton



3pcs Planet Gear with bearing



## QE-933

3/8" AIR REVERSIBLE DRILL  
With Keyless Chuck  
Air inlet : 1/4"

10 pieces in one carton



2pcs Planet Gear with bearing



## QE-633

3/8" 90° AIR REVERSIBLE ANGLE DRILL  
With Keyless Chuck  
Air inlet : 1/4"

10 pieces in one carton



2pcs Planet Gear with bearing

|         | Chuck Size | Free Speed | Motor | Avg. Air Consumption | Air Pressure | Overall Length | Net Weight |      | Air Hose | Sound Pressure | Vibration Level  |
|---------|------------|------------|-------|----------------------|--------------|----------------|------------|------|----------|----------------|------------------|
|         | inch(mm)   | R.P.M      | hp    | CFM (L/min)          | PSI (bar)    | Inch (mm)      | LBS        | kg   | Inch     | dBA            | m/s <sup>2</sup> |
|         |            |            |       |                      |              |                |            |      |          |                |                  |
| QE-331  | 3/8"(10)   | 1800       | 0.65  | 6.5(184)             | 90(6.3)      | 8"(203)        | 2.42       | 1.1  | 3/8"     | 96.5           | 0.3              |
| QE-332  | 3/8"(10)   | 2200       | 0.60  | 6.5(184)             | 90(6.3)      | 7-1/2"(190)    | 2.20       | 1.0  | 3/8"     | 96.5           | 0.3              |
| QE-333  | 3/8"(10)   | 1800       | 0.65  | 6.5(184)             | 90(6.3)      | 8"(203)        | 2.42       | 1.1  | 3/8"     | 92.0           | 0.2              |
| QE-334  | 3/8"(10)   | 2200       | 0.60  | 6.5(184)             | 90(6.3)      | 7-1/2"(190)    | 2.20       | 1.0  | 3/8"     | 92.0           | 0.2              |
| QE-431  | 3/8"(10)   | 1800       | 0.50  | 4.0(112)             | 90(6.3)      | 8-29/32"(226)  | 2.6        | 1.18 | 3/8"     | 90.0           | 3.0              |
| QE-432  | 3/8"(10)   | 2200       | 0.70  | 4.8(135)             | 90(6.3)      | 8-29/32"(226)  | 2.6        | 1.18 | 3/8"     | 90.0           | 3.0              |
| QE-433  | 3/8"(10)   | 1800       | 0.50  | 4.0(112)             | 90(6.3)      | 9-1/16"(230)   | 2.7        | 1.23 | 3/8"     | 90.0           | 3.0              |
| QE-434  | 3/8"(10)   | 2200       | 0.70  | 4.8(135)             | 90(6.3)      | 9-1/16"(230)   | 2.7        | 1.23 | 3/8"     | 90.0           | 3.0              |
| QQE-532 | 3/8"(10)   | 2800       | 0.70  | 4.8(135)             | 90(6.3)      | 9-9/16"(243)   | 2.7        | 1.23 | 3/8"     | 90.0           | 2.0              |
| QE-533  | 3/8"(10)   | 2200       | 0.50  | 4.0(112)             | 90(6.3)      | 9-13/32"(189)  | 2.7        | 1.23 | 3/8"     | 90.0           | 2.0              |
| QE-833  | 3/8"(10)   | 1800       | 0.45  | 4.0(113)             | 90(6.3)      | 7-1/4"(185)    | 2.5        | 1.10 | 3/8"     | 83.0           | 0.3              |
| QE-633  | 3/8"(10)   | 1600       | 0.50  | 3.0(85)              | 90(6.3)      | 8-1/4"(210)    | 2.4        | 1.10 | 3/8"     | 72.0           | 2.5              |
| QE-933  | 3/8"(10)   | 2600       | 0.50  | 3.0(85)              | 90(6.3)      | 8-15/32"(215)  | 2.0        | 0.90 | 3/8"     | 72.0           | 2.5              |

# AIR DRILL

# 1/2"

## Chuck Size



### QE-341/342

QE-341 1/2" AIR REVERSIBLE DRILL  
QE-342 1/2" AIR DRILL  
With Keyless Chuck  
Air inlet : 1/4"

10 pieces in one carton



3pcs Planet Gearx 2Set



### QE-343/344

QE-343 1/2" AIR REVERSIBLE DRILL  
QE-344 1/2" AIR Drill  
With Key Chuck  
Air inlet : 1/4"

10 pieces in one carton



3pcs Planet Gearx 2Set



### QE-841

1/2" AIR REVERSIBLE DRILL  
With Keyless Chuck  
Air inlet : 1/4"

10 pieces in one carton



3pcs Planet Gearx 2Set



### QE-843

1/2" AIR REVERSIBLE DRILL  
With Key Chuck  
Air inlet : 1/4"

10 pieces in one carton



3pcs Planet Gearx 2Set



### QE-845

1/2" AIR REVERSIBLE DRILL  
With Key Chuck  
Air inlet : 1/4"

10 pieces in one carton



3pcs Planet Gearx 2Set



### QE-441/442

QE-441 1/2" AIR REVERSIBLE DRILL  
QE-442 1/2" AIR DRILL  
With Keyless Chuck  
Air inlet : 1/4"

10 pieces in one carton



2pcs Planet Gear x 2Set bearing

## Air drill



### QE-443

1/2" AIR REVERSIBLE DRILL  
With Key Chuck  
Air inlet : 1/4"

10 pieces in one carton



2pcs Planet Gear x 2Set bearing



### QE-542

1/2" AIR DRILL  
With Keyless Chuck  
Air inlet : 1/4"

10 pieces in one carton



3pcs Planet Gear x 2Set bearing



### QE-543

1/2" AIR REVERSIBLE DRILL  
With Key Chuck  
Air inlet : 1/4"

10 pieces in one carton



3pcs Planet Gear x 2Set bearing

|        | Chuck Size | Free Speed | Motor | Avg. Air Consumption | Air Pressure | Overall Length | Net Weight |      | Air Hose | Sound Pressure | Vibration Level  |
|--------|------------|------------|-------|----------------------|--------------|----------------|------------|------|----------|----------------|------------------|
|        | inch(mm)   | R.P.M      | hp    | CFM (L/min)          | PSI (bar)    | Inch (mm)      | LBS        | kg   | Inch     | dBA            | m/s <sup>2</sup> |
|        |            |            |       |                      |              |                |            |      |          |                |                  |
| QE-341 | 1/2"(13)   | 800        | 0.65  | 6.5(184)             | 90(6.3)      | 9"(230)        | 3.96       | 1.8  | 3/8"     | 96.5           | 0.1              |
| QE-342 | 1/2"(13)   | 800        | 0.60  | 6.5(184)             | 90(6.3)      | 8-1/4"(209)    | 3.74       | 1.7  | 3/8"     | 96.5           | 0.1              |
| QE-343 | 1/2"(13)   | 800        | 0.65  | 6.5(184)             | 90(6.3)      | 9"(230)        | 3.96       | 1.8  | 3/8"     | 97.5           | 0.1              |
| QE-344 | 1/2"(13)   | 800        | 0.60  | 6.5(184)             | 90(6.3)      | 8-1/4"(209)    | 3.74       | 1.7  | 3/8"     | 97.5           | 0.1              |
| QE-441 | 1/2"(13)   | 1100       | 0.50  | 4.0(112)             | 90(6.3)      | 10-53/64"(270) | 3.5        | 1.58 | 3/8"     | 90.0           | 3.0              |
| QE-442 | 1/2"(13)   | 1300       | 0.70  | 4.8(135)             | 90(6.3)      | 10-53/64"(270) | 3.5        | 1.58 | 3/8"     | 90.0           | 3.0              |
| QE-443 | 1/2"(13)   | 1100       | 0.50  | 4.0(112)             | 90(6.3)      | 10-53/64"(270) | 3.8        | 1.73 | 3/8"     | 90.0           | 3.0              |
| QE-542 | 1/2"(13)   | 1300       | 0.70  | 4.8(135)             | 90(6.3)      | 11-1/64"(280)  | 3.8        | 1.73 | 3/8"     | 90.0           | 2.0              |
| QE-543 | 1/2"(13)   | 1100       | 0.50  | 4.0(112)             | 90(6.3)      | 10-55/64"(276) | 3.8        | 1.73 | 3/8"     | 90.0           | 2.0              |
| QE-841 | 1/2"(13)   | 800        | 0.45  | 4.0(113)             | 90(6.3)      | 8-1/4"(210)    | 3.7        | 1.70 | 3/8"     | 83.0           | 0.3              |
| QE-843 | 1/2"(13)   | 800        | 0.45  | 4.0(113)             | 90(6.3)      | 8-1/4"(210)    | 3.9        | 1.80 | 3/8"     | 83.0           | 0.3              |
| QE-845 | 1/2"(13)   | 500        | 0.45  | 4.0(113)             | 90(6.3)      | 8-1/4"(210)    | 3.9        | 1.80 | 3/8"     | 83.0           | 0.3              |

# AIR DRILL



## PC-2010

ADJUSTABLE TORQUE AIR TAPPING TOOL  
Air inlet : 1/4"

## PC-901

ADJUSTABLE TORQUE AIR TAPPING ADAPTER  
HEX:8mm



For: Air Drill, Electricity Drill, Cordless Drill, Drill machine

|         | Capacity |        |          |
|---------|----------|--------|----------|
|         | steel    | copper | aluminum |
|         |          |        |          |
| PC-2010 | M3~M8    | M3~M12 | M3~M12   |
| PC-901  | M3~M6    | M3~M8  | M3~M8    |



## QE-231

SPOT DRILL & HOOK  
Air inlet : 1/4"

10 pieces in one carton

- 8mm drill bit included
- 6.5 .8 . 10 mm drill are available
- Adjustable chunk for easy control
- Hook is easily removed or installed.
- High quality piston improves torque and efficiency
- Common applications are remove the surface of the solder joints and will not damage steel plate.
- Maximum drill depth:4.5mm steel.3.8mm stainless



|        | Chuck Size | Free Speed | Motor | Avg. Air Consumption | Air Pressure | Overall Length | Net Weight |      | Air Hose | Sound Pressure | Vibration Level  |
|--------|------------|------------|-------|----------------------|--------------|----------------|------------|------|----------|----------------|------------------|
|        | inch(mm)   | R.P.M      | hp    | CFM (L/min)          | PSI (bar)    | Inch (mm)      | LBS        | kg   | Inch     | dBA            | m/s <sup>2</sup> |
|        |            |            |       |                      |              |                |            |      |          |                |                  |
| QE-231 | 5/16"(8)   | 1600       | 0.50  | 6.0(170)             | 90(6.3)      | 9-1/4"(235)    | 4.4        | 2.00 | 3/8"     | 88.2           | 0.1              |

|         | Capacity |        |          | Free Speed | Stroke Length | Avg. Air Consumption | Air Pressure | Net Weight |      | Air Hose | Sound Pressure | Vibration Level  |
|---------|----------|--------|----------|------------|---------------|----------------------|--------------|------------|------|----------|----------------|------------------|
|         | steel    | copper | aluminum | R.P.M      | inch( mm )    | L/cycle              | PSI (bar)    | LBS        | kg   | Inch     | dBA            | m/s <sup>2</sup> |
|         |          |        |          |            |               |                      |              |            |      |          |                |                  |
| PC-2010 | M3~M8    | M3~M12 | M3~M12   | 150        | 12"(305)      | 6.5(184)             | 90(6.3)      | 5.4        | 2.45 | 3/8"     | 82             | 1.5              |

**AIR SCREWDRIIVER**

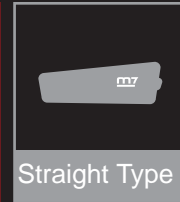
**AIR  
SCREWDRIIVER**



# AIR SCREWDRIVER



Pistol Type

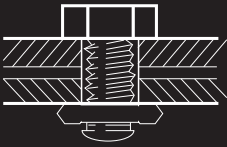
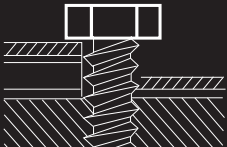

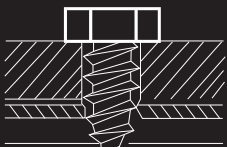


Straight Type

★★  
Excellent

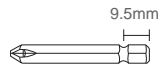
★  
Good

AIR SCREWDRIVER

| Joint & Torque Curve   | Clutch Type                | Model Number |         |         |         |        |         |  |
|--|----------------------------|--------------|---------|---------|---------|--------|---------|--|
|  |                            | M3           | M3.5    | M4      | M5      | M6     | M8      |  |
|  <p>Free Running<br/>Hard stop/soft stop</p>              | ★★<br>Shut-off Screwdriver | RA-3023      | RA-3017 | RA-3011 | RA-4008 |        |         |  |
|  |                            |              | RA-3123 | RA-4015 | RA-5005 |        |         |  |
|  |                            |              |         | RA-4021 | RA-5008 |        |         |  |
|  |                            |              |         | RA-5017 | RA-4108 |        |         |  |
|  |                            |              |         | RA-3111 | RA-4115 |        |         |  |
|  |                            |              |         | RA-3117 | RA-5015 |        |         |  |
|  |                            |              |         | RA-4121 | RA-5108 |        |         |  |
|  |                            |              |         |         | RA-5117 |        |         |  |
|  |                            |              |         | RA-1131 | RA-1151 | RA-802 |         |  |
|  |                            |              |         | RA-1132 | RA-2161 | RA-302 |         |  |
|  <p>Self-Tapping<br/>Thick Material<br/>Sheet Metal</p> | ★★<br>Adjustable Clutch    |              |         | RA-1131 | RA-1151 | RA-802 |         |  |
|  |                            |              |         | RA-1132 | RA-2161 | RA-302 |         |  |
|  |                            |              |         | RA-1141 |         |        |         |  |
|  |                            |              |         | RA-1142 |         |        |         |  |
|  |                            |              |         | RA-1162 |         |        |         |  |
|  |                            |              |         | RA-301  |         |        |         |  |
|  |                            |              |         | RA-801  |         |        |         |  |
|  |                            |              |         | RA-1232 | RA-2242 | RA-606 | RA-2272 |  |
|  |                            |              |         | RA-1242 | RA-102  | RA-201 | RA-608  |  |
|  |                            |              |         | RA-101  |         | RA-110 | RA-1272 |  |
|  <p>Self-Tapping<br/>Plastic</p>                        | ★★<br>Adjustable Clutch    |              |         | RA-1131 | RA-1151 | RA-802 |         |  |
|  |                            |              |         | RA-1132 | RA-2161 | RA-302 |         |  |
|  |                            |              |         | RA-1141 |         |        |         |  |
|  |                            |              |         | RA-1142 |         |        |         |  |
|  |                            |              |         | RA-1162 |         |        |         |  |
|  |                            |              |         | RA-301  |         |        |         |  |
|  |                            |              |         | RA-801  |         |        |         |  |
|  |                            |              |         | RA-1232 | RA-2242 | RA-606 | RA-2272 |  |
|  |                            |              |         | RA-1242 | RA-102  | RA-201 | RA-608  |  |
|  |                            |              |         | RA-101  |         | RA-105 | RA-1272 |  |
|  <p>Wood screws</p>                                     | ★★<br>Positive Clutch      |              |         |         |         | RA-811 |         |  |
|  |                            |              |         |         |         | RA-402 |         |  |
|  |                            |              |         | RA-1232 | RA-2242 | RA-606 | RA-2272 |  |
|  |                            |              |         | RA-1242 | RA-102  | RA-201 | RA-608  |  |
|  |                            |              |         | RA-101  |         | RA-105 | RA-1272 |  |
|  | ★<br>Twin Dog              |              |         |         | RA-101C |        |         |  |
|  |                            |              |         |         |         |        |         |  |
|  |                            |              |         |         |         |        |         |  |
|  |                            |              |         |         |         |        |         |  |
|  |                            |              |         |         |         |        |         |  |



## RA-1131



**AIR SCREWDRIVER ADJUSTABLE CLUTCH**

Screw Capacity : M4

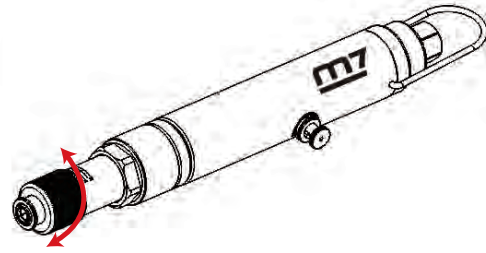
Air inlet : 1/4"

10 pieces in one carton

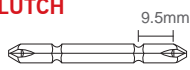


## Clutch Type Series

Extmal adjustment



## RA-1141



**AIR SCREWDRIVER ADJUSTABLE CLUTCH**

Screw Capacity : M4

Air inlet : 1/4"

10 pieces in one carton



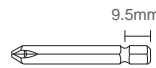
## RA-2161

**AIR SCREWDRIVER ADJUSTABLE CLUTCH**

Screw Capacity : M5

Air inlet : 1/4"

10 pieces in one carton



## RA-1151

**AIR SCREWDRIVER ADJUSTABLE CLUTCH**

Screw Capacity : M5

Air inlet : 1/4"

10 pieces in one carton



## RA-801EA

**AIR SCREWDRIVER EXTERNAL ADJUSTABLE**

Air inlet : 1/4"

10 pieces in one carton

9.5mm

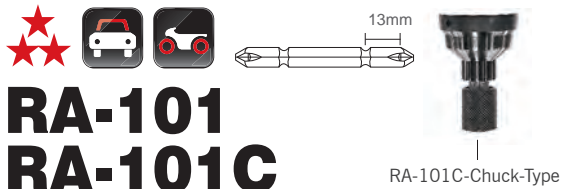
Screw Capacity : M4



|          | Bit Size<br>inch(mm) | Torque Range<br>FT-LB(Nm) | Free Speed<br>R.P.M | Avg. Air Consumption<br>CFM (L/min) | Air Pressure<br>PSI (bar) | Overall Length<br>Inch (mm) | Net Weight<br>LBS kg | Air Hose<br>Inch | Sound Pressure<br>dBA | Vibration Level<br>m/s <sup>2</sup> |
|----------|----------------------|---------------------------|---------------------|-------------------------------------|---------------------------|-----------------------------|----------------------|------------------|-----------------------|-------------------------------------|
|          |                      |                           |                     |                                     |                           |                             |                      |                  |                       |                                     |
| RA-1131  | 1/4"(6.35)           | 0.7~2.9(1~4)              | 1800                | 4.5(127)                            | 90(6.3)                   | 9"(228)                     | 1.6 0.76             | 3/8"             | 80.0                  | 2.3                                 |
| RA-1141  | 1/4"(6.35)           | 0.7~2.2(1-3)              | 800                 | 4.5(127)                            | 90(6.3)                   | 8-7/8"(226)                 | 1.6 0.76             | 3/8"             | 80.0                  | 2.3                                 |
| RA-1151  | 1/4"(6.35)           | 1.4~3.7(2~5)              | 1900                | 4.5(127)                            | 90(6.3)                   | 9-1/32"(229)                | 2.2 1.01             | 3/8"             | 85.0                  | 2.3                                 |
| RA-2161  | 1/4"(6.35)           | 1.4-3.7(2-5)              | 750                 | 7.5(212)                            | 90(6.3)                   | 7-15/32"(190)               | 2.2 1.00             | 3/8"             | 80.0                  | 2.0                                 |
| RA-801EA | 1/4"                 | 3.8-10.4(5-14 Nm)         | 2100                | 4.0(113)                            | 90(6.3)                   | 9"(230)                     | 3.0 (1.39)           | 3/8"             | 90.0                  | 4.2                                 |

# AIR SCREWDRIVER

AIR SCREWDRIVER



## RA-101 RA-101C

AIR SCREWDRIVER Screw Capacity : M4  
(Twin Dog Type) Air inlet : 1/4"

20 pieces in one carton



## RA-105

AIR SCREWDRIVER Screw Capacity : M6  
(Twin Dog Type) Air inlet : 1/4"

20 pieces in one carton



## RA-1232

AIR SCREWDRIVER Screw Capacity : M4  
(Twin Dog Type) Air inlet : 1/4"

12 pieces in one carton



## RA-1272

AIR SCREWDRIVER Screw Capacity : M8  
(Twin Dog Type) Air inlet : 1/4"

12 pieces in one carton



## IMPACT TYPE SERIES



Twin Dog Type



## RA-102

AIR SCREWDRIVER Screw Capacity : M5  
(Twin Dog Type) Air inlet : 1/4"

20 pieces in one carton



## RA-110

AIR SCREWDRIVER Screw Capacity : M6  
(Twin Hammer Type) Air inlet : 1/4"

20 pieces in one carton



## RA-1242

AIR SCREWDRIVER Screw Capacity : M4  
(Twin Dog Type) Air inlet : 1/4"

12 pieces in one carton



## RA-606

AIR SCREWDRIVER Screw Capacity : M6  
(Twin Dog Type) Air inlet : 1/4"

12 pieces in one carton





## RA-608

**AIR SCREWDRIVER**  
(Twin Dog Type)

12 pieces in one carton



Screw Capacity : M8  
Air inlet : 1/4"



## RA-201

**AIR SCREWDRIVER** Screw Capacity : M8  
(Twin Dog Type) Air inlet : 1/4"

12 pieces in one carton



## RA-2242

**AIR SCREWDRIVER** Screw Capacity : M5  
(Twin Dog Type) Air inlet : 1/4"

12 pieces in one carton



## RA-2272

**AIR SCREWDRIVER** Screw Capacity : M8  
(Twin Dog Type) Air inlet : 1/4"

12 pieces in one carton



|         | Bit Size<br>inch(mm) | Torque Range<br>FT-LB(Nm) | Free Speed<br>R.P.M | Avg. Air Consumption<br>CFM (L/min) | Air Pressure<br>PSI (bar) | Overall Length<br>Inch (mm) | Net Weight<br>LBS kg | Air Hose<br>Inch | Sound Pressure<br>dBA | Vibration Level<br>m/s <sup>2</sup> |
|---------|----------------------|---------------------------|---------------------|-------------------------------------|---------------------------|-----------------------------|----------------------|------------------|-----------------------|-------------------------------------|
|         |                      |                           |                     |                                     |                           |                             |                      |                  |                       |                                     |
| RA-101  | 1/4"(6.35)           | 3.7-8.9(5-12)             | 9000                | 6.0(170)                            | 90(6.3)                   | 6-1/2"(166)                 | 1.32 0.6             | 3/8"             | 85.7                  | 2.2                                 |
| RA-102  | 1/4"(6.35)           | 3.7-10.3(5-14)            | 9000                | 6.0(170)                            | 90(6.3)                   | 6-3/4"(172)                 | 1.54 0.7             | 3/8"             | 86.7                  | 3.7                                 |
| RA-105  | 1/4"(6.35)           | 3.7-16.2(5-22)            | 8500                | 8.5(241)                            | 90(6.3)                   | 8-1/4"(208)                 | 2.20 1.0             | 3/8"             | 96.7                  | 4.9                                 |
| RA-110  | 1/4"(6.35)           | 3.7-29.5(5-40)            | 8500                | 8.5(241)                            | 90(6.3)                   | 8-1/4"(208)                 | 2.20 1.0             | 3/8"             | 96.7                  | 4.9                                 |
| RA-1232 | 1/4"(6.35)           | 11~22 (15-30)             | 9000                | 4.5(127)                            | 90(6.3)                   | 7-11/16"(195)               | 1.47 0.67            | 3/8"             | 80.0                  | 3.2                                 |
| RA-1242 | 1/4"(6.35)           | 14~22 (19~30)             | 12500               | 5.0(141)                            | 90(6.3)                   | 6-11/16"(170)               | 1.25 0.57            | 3/8"             | 89.0                  | 3.9                                 |
| RA-1272 | 1/4"(6.35)           | 44-177(60-240)            | 8000                | 9.0(254)                            | 90(6.3)                   | 7-27/32"(200)               | 2.30 1.06            | 3/8"             | 97.0                  | 5.1                                 |
| RA-201  | 1/4"(6.35)           | 3.7-18.5(5-25)            | 10000               | 9.0(255)                            | 90(6.3)                   | 7"(180)                     | 2.65 1.2             | 3/8"             | 93.0                  | 5.3                                 |
| RA-606  | 1/4"(6.35)           | 3.7-33.2(5-45)            | 8000                | 5.6(160)                            | 90(6.3)                   | 7-4/5"(198)                 | 2.2 1.0              | 3/8"             | 82.0                  | 2.2                                 |
| RA-608  | 1/4"(6.35)           | 3.7-42.8(5-58)            | 8000                | 4.6(130)                            | 90(6.3)                   | 8-9/16"(217)                | 2.86 1.3             | 3/8"             | 86.0                  | 3.5                                 |
| RA-2242 | 1/4"(6.35)           | 18~26(24.4-35.2)          | 13000               | 7.0(198)                            | 90(6.3)                   | 5-15/16"(150)               | 2.0 0.9              | 3/8"             | 88.0                  | 2.7                                 |
| RA-2272 | 1/4"(6.35)           | 44~177(59-240)            | 7700                | 8.5(240)                            | 90(6.3)                   | 7-11/16"(195)               | 3.0 1.38             | 3/8"             | 93.0                  | 4.9                                 |

# AIR SCREWDRIVER



## RA-1132

**AIR SCREWDRIVE ADJUSTABLE CLUTCH**

Screw Capacity : M4

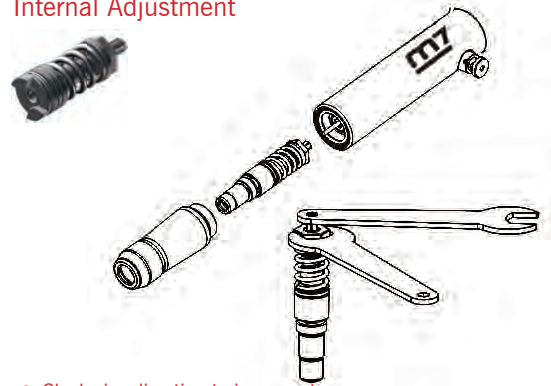
Air inlet : 1/4"

10 pieces in one carton



## Clutch Type Series

Internal Adjustment



- Clockwise direction to increase torque
- Counterclockwise direction to decrease torque



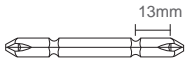
## RA-1142

**AIR SCREWDRIVE ADJUSTABLE CLUTCH**

Screw Capacity : M4

Air inlet : 1/4"

10 pieces in one carton



## RA-1162

**AIR SCREWDRIVE ADJUSTABLE CLUTCH**

Screw Capacity : M6

Air inlet : 1/4"

10 pieces in one carton

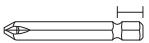


## RA-301

**AIR SCREWDRIVE  
ADJUSTABLE CLUTCH**

Screw Capacity : M4  
Air inlet : 1/4"

9.5mm



10 pieces in one carton

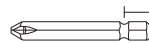


## RA-302

**AIR SCREWDRIVE  
ADJUSTABLE CLUTCH**

Screw Capacity : M6  
Air inlet : 1/4"

9.5mm



10 pieces in one carton

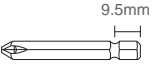




## RA-801

AIR SCREWDRIVE  
ADJUSTABLE CLUTCH

Screw Capacity : M4  
Air inlet : 1/4"



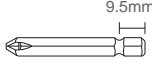
10 pieces in one carton



## RA-802

AIR SCREWDRIVE  
ADJUSTABLE CLUTCH

Screw Capacity : M6  
Air inlet : 1/4"



10 pieces in one carton

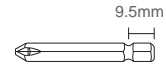
## Positive Clutch Type Non - Adjustable



## RA-402

AIR SCREWDRIVE  
(Positive Clutch Type)

Screw Capacity : M6  
Air inlet : 1/4"



10 pieces in one carton



## RA-811

AIR SCREWDRIVE  
(Positive Clutch Type)

Screw Capacity : M6  
Air inlet : 1/4"



10 pieces in one carton

|         | Bit Size<br>inch(mm) | Torque Range<br>FT-LB(Nm) | Free Speed<br>R.P.M | Avg. Air Consumption<br>CFM (L/min) | Air Pressure<br>PSI (bar) | Overall Length<br>Inch (mm) | Net Weight<br>LBS kg |      | Air Hose<br>Inch | Sound Pressure<br>dBA | Vibration Level<br>m/s <sup>2</sup> |
|---------|----------------------|---------------------------|---------------------|-------------------------------------|---------------------------|-----------------------------|----------------------|------|------------------|-----------------------|-------------------------------------|
|         |                      |                           |                     |                                     |                           |                             |                      |      |                  |                       |                                     |
| RA-1132 | 1/4"(6.35)           | 0.7~2.2(1-3)              | 2200                | 6.0(170)                            | 90(6.3)                   | 9-7/32"(235)                | 1.7                  | 0.8  | 3/8"             | 80.0                  | 2.3                                 |
| RA-1142 | 1/4"(6.35)           | 0.7~2.2(1-3)              | 1700                | 5.0(141)                            | 90(6.3)                   | 9-7/32"(235)                | 1.34                 | 0.61 | 3/8"             | 80.0                  | 2.0                                 |
| RA-1162 | 1/4"(6.35)           | 1.5~5.9(2-8)              | 600                 | 6.0(170)                            | 90(6.3)                   | 10-7/16"(265)               | 2.1                  | 0.95 | 3/8"             | 90.0                  | 2.2                                 |
| RA-301  | 1/4"(6.35)           | 3.8-10(5-13.5)            | 1800                | 6.0(170)                            | 90(6.3)                   | 7-1/2"(190)                 | 2.40                 | 1.1  | 3/8"             | 95.3                  | 4.2                                 |
| RA-302  | 1/4"(6.35)           | 3.8-12(5-16.3)            | 800                 | 6.0(170)                            | 90(6.3)                   | 9"(226)                     | 2.80                 | 1.3  | 3/8"             | 96.5                  | 2.2                                 |
| RA-801  | 1/4"(6.35)           | 3.8-10.4(5-14)            | 1800                | 4.0(113)                            | 90(6.3)                   | 7-3/4"(195)                 | 2.70                 | 1.2  | 3/8"             | 83.0                  | 4.2                                 |
| RA-802  | 1/4"(6.35)           | 3.8-13.3(5-18)            | 800                 | 4.0(113)                            | 90(6.3)                   | 8-9/32"(210)                | 2.80                 | 1.3  | 3/8"             | 83.0                  | 4.2                                 |
| RA-402  | 1/4"(6.35)           | 5-14(6~19)                | 2200                | 3.9(111)                            | 90(6.3)                   | 7-3/32"(180)                | 2.47                 | 1.1  | 3/8"             | 91.0                  | 2.3                                 |
| RA-811  | 1/4"(6.35)           | 5.0-13.0(6-17)            | 2100                | 4.0(113)                            | 90(6.3)                   | 7"(178)                     | 2.50                 | 1.13 | 3/8"             | 83.0                  | 3.7                                 |

# AIR SCREWDRIVER

AIR SCREWDRIVER

## ZT-31

DIGITAL TORQUE TESTER  
Torque Range 0~14.7Nm



Torque Control or Shut-off



## RA-31/RA-41 RA-51 SERIES

SHUT-OFF SCREWDRIVER  
Air inlet : 1/4"



## RA-30/RA-40/RA-50 SERIES SHUT-OFF SCREWDRIVER

SHUT-OFF SCREWDRIVER  
Air inlet : 1/4"

- Proved by the life-time tester, these items can be operated continuously up to 1.5 million times.
- Industrial grade, excellent for long continuous operation on various mass production lines..
- Low noise and vibration rate, high adjustable accuracy up to + - 5%.



20 pieces in one carton

|         | Chuck Size<br>inch(mm) | Torque Range<br>IN-LB(N,m) | Free Speed<br>R.P.M | Avg. Air Consumption<br>CFM (L/min) | Air Pressure<br>PSI (bar) | Overall Length<br>Inch (mm) | Net Weight<br>LBS kg | Air Hose<br>Inch | Sound Pressure<br>dBA | Vibration Level<br>m/s <sup>2</sup> |
|---------|------------------------|----------------------------|---------------------|-------------------------------------|---------------------------|-----------------------------|----------------------|------------------|-----------------------|-------------------------------------|
|         |                        |                            |                     |                                     |                           |                             |                      |                  |                       |                                     |
| RA-3011 | 1/4"(6.35)             | 9.7-18.5(1.1-2.1)          | 1100                | 3.2(90.2)                           | 90(6.3)                   | 7-3/8"(187)                 | 0.94 0.42            | 1/4"             | 70.0                  | 2.0                                 |
| RA-3017 | 1/4"(6.35)             | 6.2-13.2(0.7-1.5)          | 1700                | 3.2(90.2)                           | 90(6.3)                   | 7-3/8"(187)                 | 0.94 0.42            | 1/4"             | 70.0                  | 2.0                                 |
| RA-3023 | 1/4"(6.35)             | 3.5-8.8(0.4-1.0)           | 2300                | 3.2(90.2)                           | 90(6.3)                   | 7-3/8"(187)                 | 0.94 0.42            | 1/4"             | 70.0                  | 2.0                                 |
| RA-4008 | 1/4"(6.35)             | 14.1-35.4(1.6-4.0)         | 800                 | 3.7(104.3)                          | 90(6.3)                   | 8-1/4"(209)                 | 1.43 0.65            | 1/4"             | 74.0                  | 2.5                                 |
| RA-4015 | 1/4"(6.35)             | 8.8-19.4(1.0-2.2)          | 1500                | 3.7(104.3)                          | 90(6.3)                   | 8-1/4"(209)                 | 1.43 0.65            | 1/4"             | 74.0                  | 2.5                                 |
| RA-4021 | 1/4"(6.35)             | 8.8-13.2(1.0-1.7)          | 2100                | 3.7(104.3)                          | 90(6.3)                   | 8-1/4"(209)                 | 1.43 0.65            | 1/4"             | 74.0                  | 2.5                                 |
| RA-5005 | 1/4"(6.35)             | 44.2-92.9(5.0-10.5)        | 480                 | 4.0(112.8)                          | 90(6.3)                   | 9-1/2"(240)                 | 2.2 1.0              | 3/8"             | 75.0                  | 10                                  |
| RA-5008 | 1/4"(6.35)             | 26.5-48.6(3.0-5.5)         | 800                 | 4.0(112.8)                          | 90(6.3)                   | 9-1/2"(240)                 | 2.2 1.0              | 3/8"             | 75.0                  | 10                                  |
| RA-5017 | 1/4"(6.35)             | 13.2-23.0(1.5-2.6)         | 1700                | 4.0(112.8)                          | 90(6.3)                   | 9-1/2"(240)                 | 2.2 1.0              | 3/8"             | 75.0                  | 10                                  |
| RA-3111 | 7/64"(2.6)             | 9.7-18.5(1.1-2.1)          | 1100                | 7.0(198)                            | 90(6.3)                   | 6-11/16"(170)               | 1.57 0.71            | 1/4"             | 82.0                  | 0.73                                |
| RA-3117 | 1/4"(6.35)             | 6.2-13.2(0.7-1.5)          | 1700                | 7.0(198)                            | 90(6.3)                   | 6-11/16"(170)               | 1.57 0.71            | 1/4"             | 84.0                  | 1.51                                |
| RA-3123 | 1/4"(6.35)             | 3.5-8.8(0.4-1.0)           | 2300                | 7.0(198)                            | 90(6.3)                   | 6-11/16"(170)               | 1.57 0.71            | 1/4"             | 84.0                  | 1.34                                |
| RA-4108 | 1/4"(6.35)             | 14.1-35.2(1.6-4.0)         | 800                 | 10.5(297)                           | 90(6.3)                   | 6-15/16"(175)               | 1.92 0.87            | 1/4"             | 87.5                  | 1.18                                |
| RA-4115 | 1/4"(6.35)             | 8.8-19.4(1.0-2.2)          | 1500                | 10.5(297)                           | 90(6.3)                   | 6-15/16"(175)               | 1.92 0.87            | 1/4"             | 85.5                  | 1.59                                |
| RA-4121 | 1/4"(6.35)             | 8.8-13.2(1.0-1.7)          | 2100                | 10.5(297)                           | 90(6.3)                   | 6-15/16"(175)               | 1.92 0.87            | 1/4"             | 86.8                  | 1.61                                |
| RA-5105 | 1/4"(6.35)             | 44-92.4(5.0-10.5)          | 480                 | 17.5(496)                           | 90(6.3)                   | 7-4/5"(198)                 | 2.65 1.20            | 1/4"             | 93.1                  | 0.48                                |
| RA-5108 | 1/4"(6.35)             | 26.4-48.4(3.0-5.5)         | 800                 | 17.5(496)                           | 90(6.3)                   | 7-4/5"(198)                 | 2.65 1.20            | 1/4"             | 93.6                  | 0.93                                |
| RA-5117 | 1/4"(6.35)             | 13.2-23(1.5-2.6)           | 1700                | 17.5(496)                           | 90(6.3)                   | 7-4/5"(198)                 | 2.65 1.20            | 1/4"             | 93.6                  | 1.35                                |

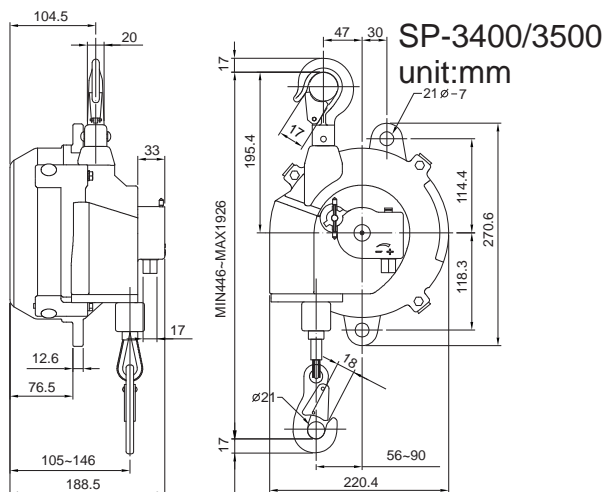
# SPRING BALANCER

## SP-3400 SP-3500

SPRING BALANCER

2 pieces in one carton

- Spiral design.
- Increasing screw diameter is balanced by increasing spring force so that the output force is balanced and the tool stops at wherever it is pulled.

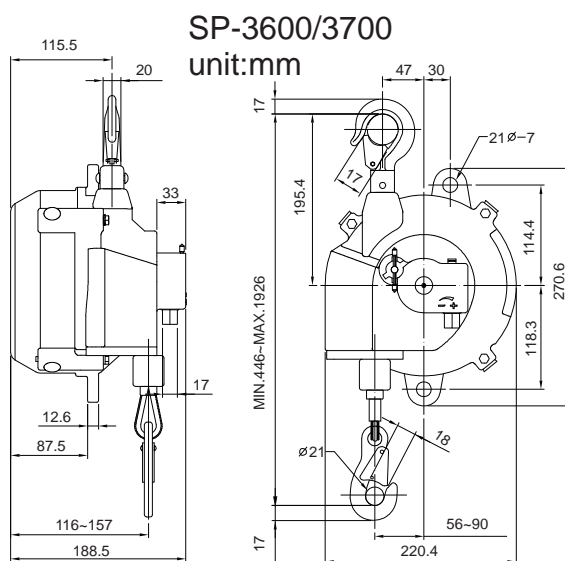


## SP-3600 SP-3700

SPRING BALANCER

2 pieces in one carton

- Spiral design.
- Increasing screw diameter is balanced by increasing spring force so that the output force is balanced and the tool stops at wherever it is pulled.



|         | Capacity<br>Kg | Travel<br>m | Rope  | Rope Dia<br>mm | Weight<br>kg |
|---------|----------------|-------------|-------|----------------|--------------|
|         |                |             |       |                |              |
| SP-3400 | 30.0~40.0      | 1.5         | Cable | 4.8            | 9.7          |
| SP-3500 | 40.0~50.0      | 1.5         | Cable | 4.8            | 10.1         |
| SP-3600 | 50.0~60.0      | 1.5         | Cable | 4.8            | 11.1         |
| SP-3700 | 60.0~70.0      | 1.5         | Cable | 4.8            | 11.4         |



**SP-101/102**  
**SP-103/104**  
**SP-105/111**  
**SP-112/113**

SPRING BALANCER

30 pieces in one carton



**SP-212**  
**SP-213**

SPRING BALANCER

30 pieces in one carton



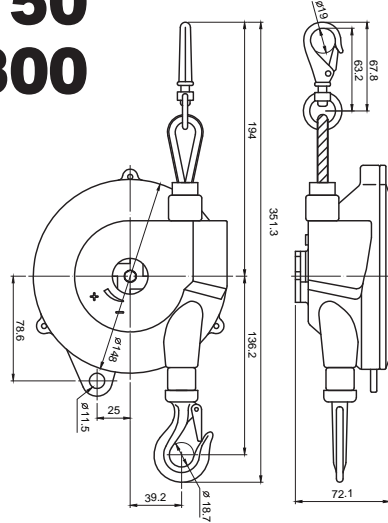
**SP-3050/3070**  
**SP-3090/3150**  
**SP-3320/3300**

SPRING BALANCER

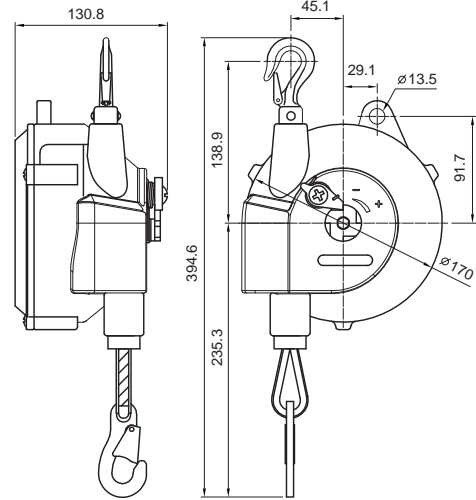
2 pieces in one carton



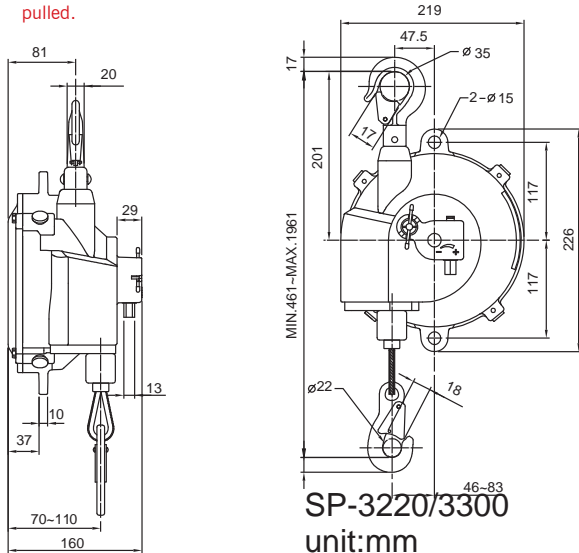
SP-3050-3070  
unit:mm



SP-3090-3150  
unit:mm



- Spiral design.
- Increasing screw diameter is balanced by increasing spring force so that the output force is balanced and the tool stops at wherever it is pulled.



|         | Capacity<br>Kg | Travel<br>m | Rope  | Rope Dia<br>mm | Weight<br>kg |
|---------|----------------|-------------|-------|----------------|--------------|
|         |                |             |       |                |              |
| SP-101  | 0.3-0.8        | 1.6         | Cable | 2.5            | 0.49         |
| SP-102  | 0.6-1.5        | 1.6         | Cable | 2.5            | 0.52         |
| SP-103  | 1.0-2.0        | 1.6         | Cable | 2.5            | 0.53         |
| SP-104  | 1.5-3.0        | 1.5         | Cable | 3.2            | 0.76         |
| SP-105  | 3.0-5.0        | 1.5         | Cable | 3.2            | 0.81         |
| SP-111  | 0.3-0.8        | 1.6         | Nylon | 2.5            | 0.49         |
| SP-112  | 0.6-1.5        | 1.6         | Nylon | 2.5            | 0.52         |
| SP-113  | 1.0-2.0        | 1.6         | Nylon | 2.5            | 0.53         |
| SP-212  | 0.3-1.2        | 1.6         | Nylon | 4.0            | 0.57         |
| SP-213  | 0.8-2.0        | 1.6         | Nylon | 4.0            | 0.57         |
| SP-3050 | 3.0-5.0        | 1.3         | Cable | 3.2            | 1.82         |
| SP-3070 | 5.0-7.0        | 1.3         | Cable | 3.2            | 1.85         |
| SP-3090 | 5.0-9.0        | 1.3         | Cable | 4.0            | 3.59         |
| SP-3150 | 9.0-15.0       | 1.3         | Cable | 4.0            | 3.61         |
| SP-3220 | 15.0-22.0      | 1.3         | Cable | 4.8            | 7.7          |
| SP-3300 | 22.0-30.0      | 1.3         | Cable | 4.8            | 8.3          |

**AIR HAMMER**



**AIR  
HAMMER**

**AUTHENTIC POWER 105**

# AIR HAMMER



## SC-331C

AIR HAMMER ROUND SHANK

## SC-341C

AIR HAMMER HEX SHANK

LOW VIBRATION AIR HAMMER

SC-4 chisel kit is provided along with the tool.

Air inlet : 1/4"

10 pieces in one carton



- Vibration-reduced grip
- Reduce vibration by controlling air passage



## SC-332C

## SC-342C

LOW VIBRATION AIR HAMMER  
AIR HAMMER ROUND SHANK  
AIR HAMMER HEX SHANK

SC-4 chisel kit is provided along with the tool.

Air inlet : 1/4"

10 pieces in one carton



## SC-211C

## SC-221C

AIR HAMMER ROUND SHANK  
AIR HAMMER HEX SHANK

SC-4 chisel kit is provided along with the tool.

Air inlet : 1/4"

10 pieces in one carton



## SC-212C

## SC-222C

AIR HAMMER ROUND SHANK  
AIR HAMMER HEX SHANK

Air inlet : 1/4"

SC-4 chisel kit is provided along with the tool.

10 pieces in one carton



## SN-1032

AIR FLUX CHIPPER

Air inlet : 1/4"



include the chisel

## SC-05C[SET]/06C[SET]

- 1pc- Air Hammer (Various Selections)
- 5pcs-Chisel Kits
- 1pc- Spring Retainer

| Item No. | Shank       | Contents |
|----------|-------------|----------|
| SC-0517C | Round Shank | SC-211C  |
| SC-0527C | Round Shank | SC-212C  |
| Item No. | Shank       | Contents |
| SC-0617C | Hex Shank   | SC-221C  |
| SC-0627C | Hex Shank   | SC-222C  |

5 pieces in one carton



## SC-33C/34C

NEEDLE SCALER ADAPTOR FOR AIR HAMMER TOOLS USE ROUND / HEX

19pcs  $\varnothing$ 3mmx180mm

| Item No. | Shank       | Contents |
|----------|-------------|----------|
| SC-33C   | Round Shank | SC-211   |
| SC-34C   | Hex Shank   | SC-221   |

20 pieces in one carton

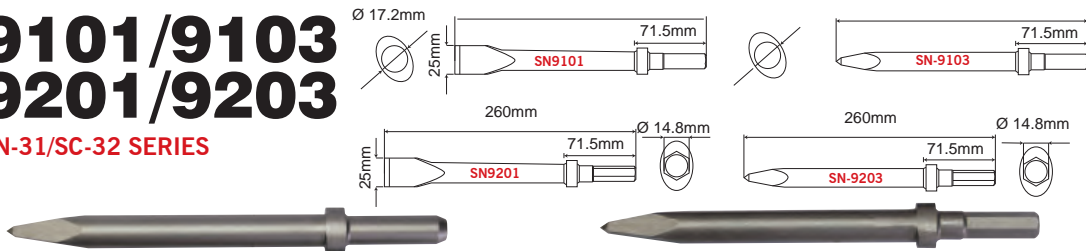


● SC-33C - / Round ● SC-34C - / Hex



## SN-9101/9103 SN-9201/9203

Chisel For SN-31/SC-32 SERIES



|         | Shank | Chuck Size  | Stroke Length | Blow Minute | Avg. Air Consumption | Air Pressure | Overall Length | Net Weight |      | Air Hose | Sound Pressure | Vibration Level  |
|---------|-------|-------------|---------------|-------------|----------------------|--------------|----------------|------------|------|----------|----------------|------------------|
|         |       | inch(mm)    | mm            | bpm         | CFM (L/min)          | PSI (bar)    | Inch (mm)      | LBS        | kg   | Inch     | dBA            | m/s <sup>2</sup> |
| SC-211C | ●     | 0.401(10.2) | 67            | 3200        | 4.0(113)             | 90(6.3)      | 6-7/8"(175)    | 3.7        | 1.7  | 3/8"     | 98.0           | 12.3             |
| SC-221C | ⬡     | 0.393(10)   | 67            | 3200        | 4.0(113)             | 90(6.3)      | 6-7/8"(175)    | 3.7        | 1.7  | 3/8"     | 98.0           | 12.3             |
| SC-212C | ●     | 0.401(10.2) | 89            | 2200        | 4.0(113)             | 90(6.3)      | 8-7/8"(225)    | 4.4        | 2.0  | 3/8"     | 94.7           | 13.2             |
| SC-222C | ⬡     | 0.393(10)   | 89            | 2200        | 4.0(113)             | 90(6.3)      | 8-7/8"(225)    | 4.4        | 2.0  | 3/8"     | 94.7           | 13.2             |
| SC-331C | ●     | 0.401(10.2) | 71            | 3000        | 7.8(113)             | 90(6.3)      | 7-31/64"(190)  | 3.7        | 1.7  | 3/8"     | 92.0           | 9.5              |
| SC-332C | ●     | 0.401(10.2) | 92            | 2200        | 8.2(232)             | 90(6.3)      | 8-63/64"(228)  | 4.4        | 2.0  | 3/8"     | 94.0           | 10.6             |
| SC-341C | ⬡     | 0.401(10.2) | 71            | 3000        | 4.0(113)             | 90(6.3)      | 8-7/8"(190)    | 4.4        | 2.0  | 3/8"     | 94.7           | 10.6             |
| SC-342C | ⬡     | 0.393(10)   | 92            | 2200        | 4.0(113)             | 90(6.3)      | 8-63/64"(228)  | 4.4        | 2.0  | 3/8"     | 94.7           | 10.6             |
| SN-1032 | ■     | 0.51(13)    | 33            | 4000        | 4.23(120)            | 90(6.3)      | 11-1/2"(290)   | 2.9        | 1.33 | 3/8"     | 91.0           | 14.5             |

# AIR HAMMER

AIR HAMMER



**SN-3111C/3112C**  
**SN-3113C/3114C**

AIR CHIPPING HAMMER

Round Shank

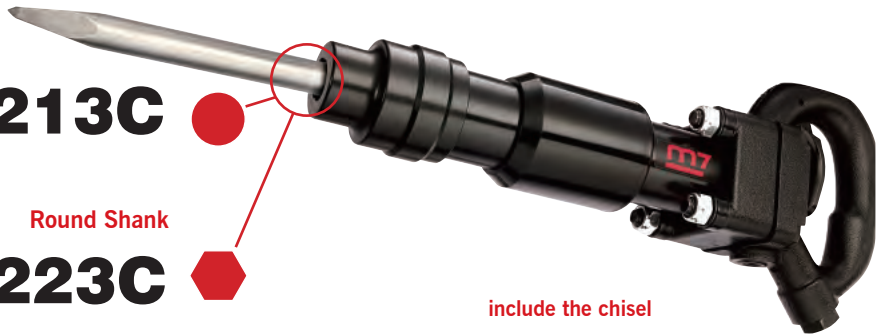


include the chisel

**SN-3121C/3122C**  
**SN-3123C/3124C**

AIR CHIPPING HAMMER

Hex Shank



include the chisel



**SN-3212C/3213C**  
**SN-3214C**

AIR CHIPPING HAMMER

Round Shank

**SN-3222C/3223C**  
**SN-3224C**

AIR CHIPPING HAMMER

Hex Shank



**SN-1268**

AIR NEEDLE SCALER

Air inlet : 1/4"

10 pieces in one carton



**SN-1288**

AIR NEEDLE SCALER

Air inlet : 1/4"

10 pieces in one carton



**SN-1368**

AIR NEEDLE SCALER

Air inlet : 1/4"

10 pieces in one carton



- Strengthened internal parts to raise lifespan
- Strengthened front casing mechanism, not tend to wear out
- Quick accessory change for needles
- Adjust spring easily and effortlessly

**50%**  
longer  
lifetime

**10%**  
more  
Powerful



## SN-2124

AIR PISTOL GRIP NEEDLE SCALER  
Air inlet : 1/4"



10 pieces in one carton



## SN-2128

AIR PISTOL GRIP NEEDLE SCALER  
Air inlet : 1/4"



10 pieces in one carton



## SN-2110

AIR PISTOL GRIP NEEDLE SCALER  
Air inlet : 1/4"



10 pieces in one carton

|          | Shank           | Chuck Size        | Stroke Length | Blow Minute     | Avg. Air Consumption | Air Pressure | Overall Length | Net Weight |      | Air Hose | Sound Pressure | Vibration Level  |
|----------|-----------------|-------------------|---------------|-----------------|----------------------|--------------|----------------|------------|------|----------|----------------|------------------|
|          |                 | inch(mm)          | mm            | bpm             | CFM (L/min)          | PSI (bar)    | Inch (mm)      | LBS        | kg   | Inch     | dBA            | m/s <sup>2</sup> |
|          |                 |                   |               |                 |                      |              |                |            |      |          |                |                  |
| SN-3111C | ●               | 0.68(17.2)        | 75            | 2500            | 10.0(283)            | 90(6.3)      | 15-1/2"(395)   | 15.4       | 7.0  | 1/2"     | 115.3          | 8.0              |
| SN-3121C | ⬡               | 0.58(14.8)        | 75            | 2500            | 10.0(283)            | 90(6.3)      | 15-1/2"(395)   | 15.4       | 7.0  | 1/2"     | 115.3          | 8.0              |
| SN-3112C | ●               | 0.68(17.2)        | 90            | 2300            | 20.0(566)            | 90(6.3)      | 16"(405)       | 16.1       | 7.3  | 1/2"     | 114.3          | 9.4              |
| SN-3122C | ⬡               | 0.58(14.8)        | 90            | 2300            | 20.0(566)            | 90(6.3)      | 16"(405)       | 16.1       | 7.3  | 1/2"     | 114.3          | 9.4              |
| SN-3113C | ●               | 0.68(17.2)        | 127           | 2000            | 22.0(622.6)          | 90(6.3)      | 17-3/4"(450)   | 17.6       | 8.0  | 1/2"     | 113.3          | 4.8              |
| SN-3123C | ⬡               | 0.58(14.8)        | 127           | 2000            | 22.0(622.6)          | 90(6.3)      | 17-3/4"(450)   | 17.6       | 8.0  | 1/2"     | 113.3          | 4.8              |
| SN-3114C | ●               | 0.68(17.2)        | 154           | 1600            | 24.0(679.2)          | 90(6.3)      | 18-1/2"(470)   | 18.3       | 8.3  | 1/2"     | 114.1          | 6.2              |
| SN-3124C | ⬡               | 0.58(14.8)        | 154           | 1600            | 24.0(679.2)          | 90(6.3)      | 18-1/2"(470)   | 18.3       | 8.3  | 1/2"     | 114.1          | 6.2              |
| SN-3212C | ●               | 0.68(17.2)        | 78            | 2300            | 20.0(566)            | 90(6.3)      | 14-5/8"(373)   | 17.2       | 7.8  | 1/2"     | 114.3          | 9.4              |
| SN-3222C | ⬡               | 0.58(14.8)        | 78            | 2300            | 20.0(566)            | 90(6.3)      | 14-5/8"(373)   | 17.2       | 7.8  | 1/2"     | 114.3          | 9.4              |
| SN-3213C | ●               | 0.68(17.2)        | 119           | 1900            | 22.0(622.6)          | 90(6.3)      | 16-1/2"(419)   | 18.7       | 8.5  | 1/2"     | 113.3          | 4.8              |
| SN-3223C | ⬡               | 0.58(14.8)        | 119           | 1900            | 22.0(622.6)          | 90(6.3)      | 16-1/2"(419)   | 18.7       | 8.5  | 1/2"     | 113.3          | 4.8              |
| SN-3214C | ●               | 0.68(17.2)        | 142           | 1700            | 24.0(679.2)          | 90(6.3)      | 17-1/2"(445)   | 19.4       | 8.8  | 1/2"     | 114.1          | 6.2              |
| SN-3224C | ⬡               | 0.58(14.8)        | 142           | 1700            | 24.0(679.2)          | 90(6.3)      | 17-1/2"(445)   | 19.4       | 8.8  | 1/2"     | 114.1          | 6.2              |
|          | Needle Diameter | Numbers of Needle | Stroke Length | Blow Per Minute | Avg. Air Consumption | Air Pressure | Overall Length | Net Weight |      | Air Hose | Sound Pressure | Vibration Level  |
|          | mm              | inch(mm)          | mm            | bpm             | CFM (L/min)          | PSI (bar)    | Inch (mm)      | LBS        | kg   | Inch     | dBA            | m/s <sup>2</sup> |
|          |                 |                   |               |                 |                      |              |                |            |      |          |                |                  |
| SN-1268  | 3x180           | 19                | 28            | 4600            | 15(424)              | 90(6.3)      | 18-1/8"(460)   | 6.1        | 2.80 | 3/8"     | 91.0           | 13.7             |
| SN-1288  | 3x125           | 12                | 32            | 5500            | 3(84.96)             | 90(6.3)      | 11-3/8"(290)   | 2.8        | 1.30 | 3/8"     | 86.0           | 7.6              |
| SN-1368  | 3x180           | 19                | 27            | 3400            | 16(453)              | 90(6.3)      | 17"(430)       | 5.9        | 2.70 | 3/8"     | 91.0           | 13.7             |
| SN-2110  | 3x180           | 19                | 33            | 3700            | 15(424)              | 90(6.3)      | 13"(330)       | 6.1        | 2.80 | 3/8"     | 97.0           | 9.7              |
| SN-2128  | 3x180           | 28                | 28            | 3500            | 7.4(198)             | 90(6.3)      | 13-9/16"(335)  | 6.2        | 2.80 | 3/8"     | 100.0          | 8.1              |
| SN-2124  | 3x180           | 24                | 27            | 4000            | 7.4(209)             | 90(6.3)      | 13-9/16"(350)  | 7.9        | 3.60 | 3/8"     | 99.0           | 14.8             |

**AIR HYDRAULIC RIVETER**

# **AIR HYDRAULIC RIVETER**



| RIVET           | MATERIAL  |          | RIVET DIAMETER(ØMM) |              |     |              |     |     |     |
|-----------------|-----------|----------|---------------------|--------------|-----|--------------|-----|-----|-----|
|                 | RIVET     | MANDREL  | (2.5)<br>2.4        | (3.0)<br>3.2 | 4.0 | (5.0)<br>4.8 | 6.4 | 7.2 | 8.0 |
| <b>PA-111</b>   | aluminum  | aluminum |                     |              |     |              |     |     |     |
|                 | aluminum  | steel    |                     |              |     |              |     |     |     |
|                 | steel     | steel    |                     |              |     |              |     |     |     |
|                 | stainless | steel    |                     |              |     |              |     |     |     |
| <b>PA-201</b>   | aluminum  | aluminum |                     |              |     |              |     |     |     |
|                 | aluminum  | steel    |                     |              |     |              |     |     |     |
|                 | steel     | steel    |                     |              |     |              |     |     |     |
|                 | stainless | steel    |                     |              |     |              |     |     |     |
| <b>PA-201V</b>  | aluminum  | aluminum |                     |              |     |              |     |     |     |
|                 | aluminum  | steel    |                     |              |     |              |     |     |     |
|                 | steel     | steel    |                     |              |     |              |     |     |     |
|                 | stainless | steel    |                     |              |     |              |     |     |     |
| <b>PA-211</b>   | aluminum  | aluminum |                     |              |     |              |     |     |     |
|                 | aluminum  | steel    |                     |              |     |              |     |     |     |
|                 | steel     | steel    |                     |              |     |              |     |     |     |
|                 | stainless | steel    |                     |              |     |              |     |     |     |
| <b>PA-301</b>   | aluminum  | aluminum |                     |              |     |              |     |     |     |
|                 | aluminum  | steel    |                     |              |     |              |     |     |     |
|                 | steel     | steel    |                     |              |     |              |     |     |     |
|                 | stainless | steel    |                     |              |     |              |     |     |     |
| <b>PA-301V</b>  | aluminum  | aluminum |                     |              |     |              |     |     |     |
|                 | aluminum  | steel    |                     |              |     |              |     |     |     |
|                 | steel     | steel    |                     |              |     |              |     |     |     |
|                 | stainless | steel    |                     |              |     |              |     |     |     |
| <b>PA-321</b>   | aluminum  | aluminum |                     |              |     |              |     |     |     |
|                 | aluminum  | steel    |                     |              |     |              |     |     |     |
|                 | steel     | steel    |                     |              |     |              |     |     |     |
|                 | stainless | steel    |                     |              |     |              |     |     |     |
| <b>PA-202</b>   | aluminum  | aluminum |                     |              |     |              |     |     |     |
|                 | aluminum  | steel    |                     |              |     |              |     |     |     |
|                 | steel     | steel    |                     |              |     |              |     |     |     |
|                 | stainless | steel    |                     |              |     |              |     |     |     |
| <b>PA-312</b>   | aluminum  | aluminum |                     |              |     |              |     |     |     |
|                 | aluminum  | steel    |                     |              |     |              |     |     |     |
|                 | steel     | steel    |                     |              |     |              |     |     |     |
|                 | stainless | steel    |                     |              |     |              |     |     |     |
| <b>PA-401V</b>  | aluminum  | aluminum |                     |              |     |              |     |     |     |
|                 | aluminum  | steel    |                     |              |     |              |     |     |     |
|                 | steel     | steel    |                     |              |     |              |     |     |     |
|                 | stainless | steel    |                     |              |     |              |     |     |     |
| <b>PA-211TS</b> | aluminum  | aluminum |                     |              |     |              |     |     |     |
|                 | aluminum  | steel    |                     |              |     |              |     |     |     |
|                 | steel     | steel    |                     |              |     |              |     |     |     |
|                 | stainless | steel    |                     |              |     |              |     |     |     |
| <b>PA-211TS</b> | aluminum  | aluminum |                     |              |     |              |     |     |     |
|                 | aluminum  | steel    |                     |              |     |              |     |     |     |
|                 | steel     | steel    |                     |              |     |              |     |     |     |
|                 | stainless | steel    |                     |              |     |              |     |     |     |



### Hydraulic cylinder Recommended Oil

- SHELL Tellus NO.46
- ESSO Teresso NO.46
- MOBIL D.T.E 25 oil
- USM Spec NO.300B Oil
- CPC Circulation Oil R68

|                    | Rivet (D1) | Mandrel (L1) | Rivet Dia. (Ø) |
|--------------------|------------|--------------|----------------|
| <b>Blind Rivet</b> | 2.4mm      | above27mm    | 1.42~1.51(G2)  |
|                    | 3.2mm      | above28mm    | 1.83~1.92(G2)  |
|                    | 4.0mm      | above29mm    | 2.28~2.42(G2)  |
|                    | 4.8mm      | above30mm    | 2.64~2.91(G2)  |
| <b>PA-211TS</b>    | 6.4mm      | above30mm    | 3.84~4.15(G2)  |
|                    | 8.0mm      | above40mm    | 4.35~4.65(G2)  |



# AIR HYDRAULIC RIVETER

AIR HYDRAULIC RIVETER

## PA-MC

AUTOMATIC MANDREL COLLECTION

### CONTENTS

3/32" (2.4mm) 220pcs  
 1/8" (3.2mm) 160pcs  
 5/32" (4.0mm) 110pcs  
 3/16" (4.8mm) 80pcs



## PE-MC

AUTOMATIC MANDREL COLLECTION



## PA-111

AIR HYDRAULIC RIVETER Air inlet : 1/4"

4 pieces in one carton



## PA-201

AIR HYDRAULIC RIVETER Air inlet : 1/4"

6 pieces in one carton



## PA-211

AIR HYDRAULIC RIVETER Air inlet : 1/4"

6 pieces in one carton



## PA-301

AIR HYDRAULIC RIVETER Air inlet : 1/4"

10 pieces in one carton



## PA-321

AIR HYDRAULIC RIVETER Air inlet : 1/4"

6 pieces in one carton



## PA-201V

AIR HYDRAULIC RIVETER Air inlet : 1/4"  
 Vacuum Type

6 pieces in one carton





## PA-301V

AIR HYDRAULIC RIVETER Air inlet : 1/4"  
Vacuum Type

6 pieces in one carton



## PA-401V

AIR HYDRAULIC RIVETER Air inlet : 1/4"  
Vacuum Type

6 pieces in one carton



## PA-202

AIR HYDRAULIC RIVETER Air inlet : 1/4"  
Vacuum Type

6 pieces in one carton



## PA-312

AIR HYDRAULIC RIVETER  
Vacuum Type  
Air inlet : 1/4"

6 pieces in one carton



NEW



## PA-203

AIR HYDRAULIC RIVETER  
Air inlet : 1/4"

6 pieces in one carton



|         | Traction Power<br>lb.-f/(kg.-f) | Stroke Length<br>mm | Capacity<br>mm | Air Pressure<br>PSI (bar) | Avg. Air Consumption<br>L/cycle | Net Weight<br>LBS kg | Air Hose<br>Inch | Sound Pressure<br>dBA | Vibration Level<br>m/s <sup>2</sup> |
|---------|---------------------------------|---------------------|----------------|---------------------------|---------------------------------|----------------------|------------------|-----------------------|-------------------------------------|
|         |                                 |                     |                |                           |                                 |                      |                  |                       |                                     |
| PA-111  | 4100(1860)                      | 26                  | 4.8-6.4        | 90(6.3)                   | 2.88                            | 6.6 3.00             | 3/8"             | 82.0                  | 0.8                                 |
| PA-201  | 3534(1603)                      | 14                  | 2.4-6.4        | 90(6.3)                   | 2.32                            | 3.9 1.80             | 3/8"             | 79.7                  | 0.5                                 |
| PA-211  | 3748(1700)                      | 18                  | 2.4-6.4        | 90(6.3)                   | 2.9                             | 3.8 1.75             | 3/8"             | 79.7                  | 0.8                                 |
| PA-301  | 2303(1045)                      | 16                  | 2.4-4.8        | 90(6.3)                   | 1.48                            | 3.3 1.50             | 3/8"             | 79.7                  | 0.3                                 |
| PA-321  | 2612(1185)                      | 22                  | 2.4-4.8        | 90(6.3)                   | 1.48                            | 3.3 1.50             | 3/8"             | 79.7                  | 0.4                                 |
| PA-201V | 3534(1603)                      | 14                  | 2.4-6.4        | 90(6.3)                   | 2.32                            | 3.9 1.79             | 3/8"             | 79.7                  | 0.5                                 |
| PA-301V | 2303(1045)                      | 16                  | 2.4-4.8        | 90(6.3)                   | 1.48                            | 3.3 1.50             | 3/8"             | 79.7                  | 0.3                                 |
| PA-401V | 1532(695)                       | 16                  | 2.4-4.0        | 90(6.3)                   | 0.67                            | 2.5 1.25             | 3/8"             | 79.7                  | 0.3                                 |
| PA-202  | 2460(1200)                      | 14                  | 3.2-6.4        | 90(6.3)                   | 1.8                             | 4.2 1.91             | 3/8"             | 79.7                  | 0.3                                 |
| PA-312  | 1983(900)                       | 18                  | 2.4-4.8        | 90(6.3)                   | 1.8                             | 3.8 1.74             | 3/8"             | 75.3                  | 0.4                                 |
| PA-203  | 2640(1200)                      | 16                  | 3.2-6.4        | 90(6.3)                   | 1.48                            | 3.3 1.50             | 3/8"             | 79.7                  | 0.5                                 |

# AIR HYDRAULIC RIVETER

AIR HYDRAULIC RIVETER



## PA-211TS

AIR HYDRAULIC RIVETER

Air inlet : 1/4"

4 pieces in one carton



## PB-2402

AIR HYDRAULIC RIVET NUT TOOL

Air inlet : 1/4"

6 pieces in one carton



## PB-1305

## PB-1308

## PB-1310

AIR RIVET NUT TOOL

Air inlet : 1/4"

12 pieces in one carton

- Automatic mechanism to quickly push up and pull back rivet.
- Quick release clip design to change spindle easily.
- Two trigger design for quick forward/reverse operation.



## PB-1312

AIR RIVET NUT TOOL

Air inlet : 1/4"

12 pieces in one carton



|          | Traction Power<br>lb.-f/(kg.-f) | Free Speed<br>R.P.M | Stroke Length<br>mm | Capacity<br>mm                  | Air Pressure<br>PSI (bar) | Avg. Air Consumption<br>L/cycle | Net Weight<br>LBS | kg   | Air Hose<br>Inch | Sound Pressure<br>dBA | Vibration Level<br>m/s <sup>2</sup> |
|----------|---------------------------------|---------------------|---------------------|---------------------------------|---------------------------|---------------------------------|-------------------|------|------------------|-----------------------|-------------------------------------|
|          |                                 |                     |                     |                                 |                           |                                 |                   |      |                  |                       |                                     |
| PB-1305  | ----                            | 1200                | ----                | M3.M4.M5                        | 90(6.3)                   | 7.8                             | 2.42              | 1.10 | 3/8"             | 86.0                  | 1.6                                 |
| PB-1308  | ----                            | 600                 | ----                | M6.M8                           | 90(6.3)                   | 7.8                             | 2.86              | 1.30 | 3/8"             | 86.0                  | 1.6                                 |
| PB-1310  | ----                            | 400                 | ----                | M8. M10                         | 90(6.3)                   | 7.8                             | 2.80              | 1.30 | 3/8"             | 86.0                  | 1.6                                 |
| PB-1312  | ----                            | 400                 | ----                | M10~M12                         | 90(6.3)                   | 7.8                             | 2.79              | 1.28 | 3/8"             | 86.0                  | 1.6                                 |
| PB-2402  | 3638(1650)                      | ----                | 9                   | Steel M4~M10<br>Stainless M4~M8 | 90(6.3)                   | 1.50                            | 3.40              | 1.55 | 3/8"             | 82.0                  | 0.8                                 |
| PA-211TS | 3748(1700)                      | ----                | 18                  | 6.4 & 8.0                       | 90(6.3)                   | 2.90                            | 3.80              | 1.75 | 3/8"             | 79.7                  | 0.8                                 |

# RIVETER ADAPTOR

# RIVET NUT ADAPTOR

## PA-9048PT

Riveter Adaptor

## PA48PB06T

Riveter Adaptor + Rivet Nut Adaptor

## PB-9006PT

Rivet Nut Adaptor

### Safety Note

Please note the following safety notes to avoid malfunctions, damage or physical injury:

- Please observe all safety notes of the used driving tool (drill)
- Always switch off the driving tool and pull off the power plug before maintaining the blind Riveting attachment, e.g. changing the nosepieces or when not in use.
- Only use the blind bolting attachment as indicated in this manual for setting blind Rivets. The unit is not designed for continuous, professional use.
- Always secure the work piece.
- Do not wear loose, clothing or jewellery. Tie up hair or clothing cannot get into moving parts.
- Persons with limited physical, sensorial or mental abilities are not allowed to use the unit, unless they are supervised for their safety by a qualified person or are briefed by the responsible person how to use the unit.
- Only use the blind Riveting attachment with the included nosepieces.
- Should the unit become damaged do not use it and have it repaired by a professional or contact our customer support department. Do not disassemble the unit or try repairing it yourself.
- Do not continue using the unit if it was damaged or the unit was dropped down. Please contact our customer support service.

# RIVETER ADAPTOR RIVET NUT ADAPTOR

## PA-9048

4.8mm (3/16") RIVETER ADAPTOR

## PB-9006

M6 RIVET NUT ADAPTOR

## PA-9064

6.35mm (1/4") RIVETER ADAPTOR

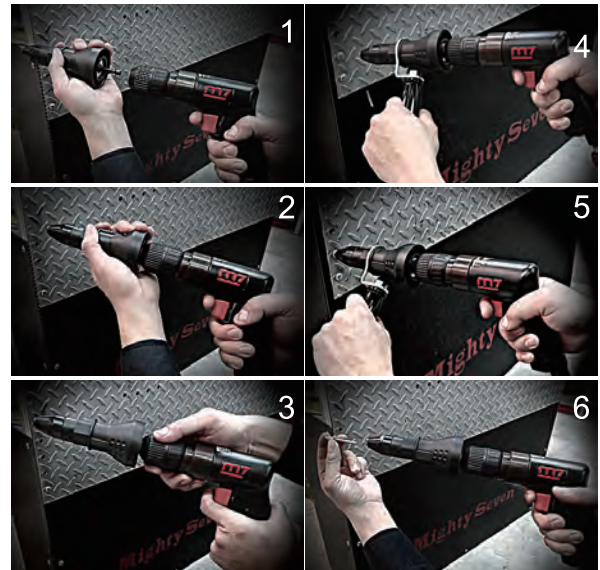
## PB-9010

M10 RIVET NUT ADAPTOR



### ASSEMBLING AND USING BEFORE FIRST USE

Remove the unit and the accessory out of the packaging . keep packaging materials Out of reach of children.there is risk of suffocation



### TECHNICAL DATA

#### PA-9064

|                      |                                   |
|----------------------|-----------------------------------|
| Dimensions           | 59mm x173mm(2-11/32 x 6-3/4 inch) |
| Net Weight           | 330g=0.73 lbs                     |
| Gross Weight         | 500g=1.10 lbs                     |
| Nosepiece            | 3.2mm(1/8), 4.0mm(5/32)           |
| Nosepiece            | 4.8mm(3/16),6.4mm(1/4)            |
| Hex Shank            | 1/4" (6.35 mm)                    |
| Cordless Drill       | 14.4V ,18V                        |
| Cordless Drive       | 14.4V ,18V                        |
| Reversible electric  | 1/2"Drill                         |
| Reversible pneumatic | 1/2"Drill                         |
| Min. Torque Strength | 50 Nm = 37 ft/lbs                 |
| Max. rpm             | 1,000 rpm                         |

|                 |                      |
|-----------------|----------------------|
| 1. Hex Shank    | 1/4 (6.35 mm)        |
| 2. Housing      | PA+GF                |
| 3. Nosepiece    | 3.2, 4.0, 4.8, 6.4mm |
| 4. Sight Window | Blind Rivet Loading  |
| 5. Wrench       | 1PC                  |
| 6. Handle       | 1PC                  |

#### PA-9048

|                      |                                    |
|----------------------|------------------------------------|
| Dimensions           | 59mm x158mm(2-11/32 x 6-3/16 inch) |
| Net Weight           | 318g=0.70 lbs                      |
| Gross Weight         | 368g=0.81 lbs                      |
| Nosepiece            | 2.4mm(3/32),3.2mm(1/8)             |
| Nosepiece            | 4.0mm(5/32),4.8mm(3/16)            |
| Hex Shank            | 1/4" (6.35 mm)                     |
| Cordless Drill       | 12V 14.4V 18V                      |
| Cordless Drive       | 12V 14.4V 18V                      |
| Reversible electric  | 3/8"Drill                          |
| Reversible pneumatic | 3/8"Drill                          |
| Min. Torque Strength | 11 Nm = 8 ft/lbs                   |
| Max. rpm             | 1,000 rpm                          |

|                |                             |
|----------------|-----------------------------|
| 1 Hex Shank    | 1/4 (6.35 mm)               |
| 2 Housing      | PA+GF                       |
| 3 Nosepiece    | 2.4mm , 3.2mm, 4.0mm, 4.8mm |
| 4 Sight Window | Blind Rivet Loading         |
| 5 Wrench       | 1PC                         |


#### PB-9006

|                      |                                  |
|----------------------|----------------------------------|
| Dimensions           | 59mm x172mm(2-11/32" x 6-25/32") |
| Weight               | 280g=0.62 lbs                    |
| Nosepiece            | M3 M4 M5 M6                      |
| Hex Shank            | 1/4" (6.35 mm)                   |
| Cordless Drill       | 12V 14.4V                        |
| Cordless Drive       | 12V 14.4V                        |
| Reversible electric  | Drill (Advice 500W)              |
| Reversible pneumatic | Drill (Advice 3/8")              |
| Min. Torque Strength | 15 Nm = 11 ft/lbs                |
| Max. rpm             | 1000 rpm                         |

#### PB-9010

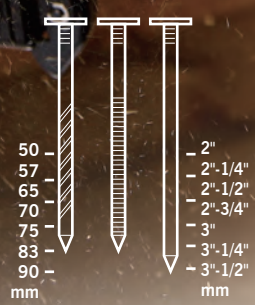
|                      |                                 |
|----------------------|---------------------------------|
| Dimensions           | 59mm x180mm(2-11/32" x 7-3/32") |
| Weight               | 350g=0.77 lbs                   |
| Nosepiece            | M6 M8 M10                       |
| Hex Shank            | 1/4" (6.35 mm)                  |
| Cordless Drill       | 14.4V                           |
| Cordless Drive       | 18V                             |
| Reversible electric  | Drill (Advice 500W)             |
| Reversible pneumatic | Drill (Advice 1/2")             |
| Min. Torque Strength | 100 Nm = 73.7 ft/lbs            |
| Max. rpm             | 800 rpm                         |

# AIR NAILER AIR STAPLER

★★  **SJ-FN-90E**

Air Framing Nailer 34°  
Air inlet : 1/4"

3 pieces in one carton



|           | Collated<br>mm | Nail Head    | Nail Length<br>mm(inch) | Shank Dia.<br>mm mm |     | Load Capacity<br>Nails | Weight<br>kgs | Working Pressure<br>P |
|-----------|----------------|--------------|-------------------------|---------------------|-----|------------------------|---------------|-----------------------|
| SJ-FN-90E | Paper / Wire   | Clipped Head | 50~90(2"~3-1/2")        | 2.9                 | 3.3 | 75-105                 | 3.9           | 90                    |

# AIR NAILER & STAPLER

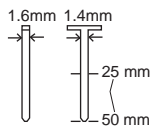


## SJ-1650T

**AIR NAILER**  
Air inlet : 1/4"

**Safety trigger**

5 pieces in one carton

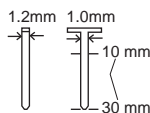


## SJ-1830 SJ-C1830F

**AIR NAILER**  
Air inlet : 1/4"

**Safety trigger**

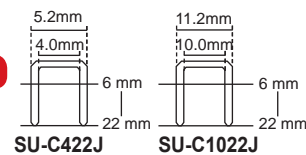
10 pieces in one carton



## SU-C422J SU-C1022J

**AIR STAPLER**  
Air inlet : 1/4"

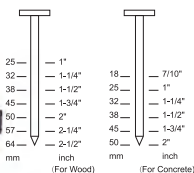
10 pieces in one carton



## SJ-TN64

**AIR CONCRETE NAILER**  
Air inlet : 1/4"

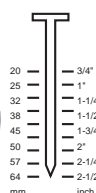
4 pieces in one carton



## SJ-BNF-1664

**AIR BRAD NAILER**  
Air inlet : 1/4"

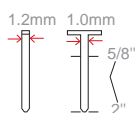
5 pieces in one carton



## SJ-1850F

**AIR NAILER**  
Air inlet : 1/4"  
**Safety trigger**

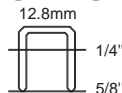
10 pieces in one carton



## SU-8016 SU-9025

**AIR STAPLER**  
Air inlet : 1/4"  
**Safety trigger**

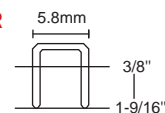
10 pieces in one carton



## SU-9040

**AIR STAPLER**  
Air inlet : 1/4"  
**Safety trigger**

4 pieces in one carton

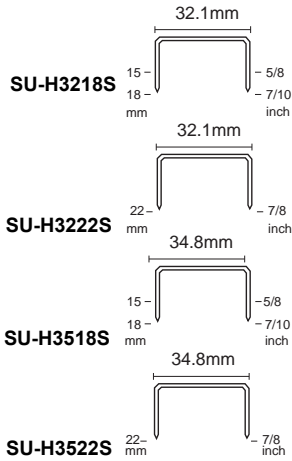




# SU-H3218S SU-H3222S SU-H3518S SU-H3522S

HAND CARTON STAPLER

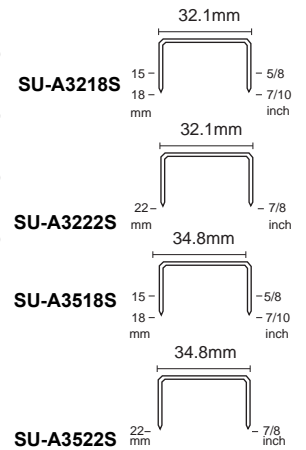
5 pieces in one carton



# SU-A3218S SU-A3222S SU-A3518S SU-A3522S

AIR CARTON STAPLER

5 pieces in one carton



|           | Dimensions  | Nail Length | Crown | Shank (Thickness/Width) |     | Load Capacity | Weight | Working Pressure |
|-----------|-------------|-------------|-------|-------------------------|-----|---------------|--------|------------------|
|           | mm          | mm(inch)    | mm    | mm                      | mm  | Nails         | kgs    | PS               |
| SU-A3518S | 200*102*400 | 15&18       | 34.8  | 0.9                     | 2.2 | 100           | 2.53   | 90               |
| SU-A3522S | 200*102*400 | 22          | 34.8  | 0.9                     | 2.2 | 100           | 2.53   | 90               |
| SU-A3218S | 200*102*400 | 15&18       | 32.1  | 0.9                     | 1.9 | 100           | 2.53   | 90               |
| SU-A3222S | 200*102*400 | 22          | 32.1  | 0.9                     | 1.9 | 100           | 2.53   | 90               |
| SU-H3518S | 310*102*460 | 15&18       | 34.8  | 0.9                     | 2.2 | 100           | 2.18   | ----             |
| SU-H3522S | 310*102*460 | 22          | 34.8  | 0.9                     | 2.2 | 100           | 2.18   | ----             |
| SU-H3218S | 310*102*460 | 15&18       | 32.1  | 0.9                     | 1.9 | 100           | 2.18   | ----             |
| SU-H3222S | 310*102*460 | 22          | 32.1  | 0.9                     | 1.9 | 100           | 2.18   | ----             |

|             | Head Dia. | Gauge | Nail Length          | Crown |           | Shank (Thickness/Width) |      | Load Capacity | Weight | Working Pressure |
|-------------|-----------|-------|----------------------|-------|-----------|-------------------------|------|---------------|--------|------------------|
|             | mm        |       | mm(inch)             | mm    | mm        | mm                      | mm   | Nails         | kgs    | PS               |
| SJ-1650T    | 2.8       | 16    | 20-50 (3/4"-2")      | ----  | ----      | 1.4                     | 1.60 | 100           | 2.35   | 90               |
| SJ-1830F    | 1.9       | 18    | 10-30 (3/8"-1-3/6")  | ----  | ----      | 1.0                     | 1.25 | 100           | 1.10   | 90               |
| SU-C422J    | ----      | 20    | 10-22 (3/8"-7/8")    | 5.2   | 0.6x1.2   | ----                    | ---- | 100           | 1.20   | 90               |
| SU-C1022J   | 1.9       | 20    | 15-50 (3/8"-2")      | 11.2  | 0.6x1.2   | ----                    | ---- | 100           | 1.20   | 90               |
| SJ-1850F    | ----      | 18    | 20-50 (3/4"-2")      | ----  | ----      | 1.0                     | 1.25 | 100           | 1.48   | 90               |
| SU-8016     | ----      | 21    | 6-16 (1/4"-5/8")     | 12.9  | 0.65x0.95 | ----                    | ---- | 160           | 0.90   | 90               |
| SU-9025     | ----      | 18    | 10-25 (3/8"-1")      | 5.8   | 1.0x1.25  | ----                    | ---- | 100           | 1.20   | 90               |
| SU-9040     | ----      | 18    | 19-40 (3/4"-1-9/16") | 5.8   | 1.0x1.25  | ----                    | ---- | 100           | 2.20   | 90               |
| SJ-TN64     | 7.5       | 13    | (18~64)              | ----  | ----      | 2.5                     | 2.50 | 80            | 2.35   | 90               |
| SJ-BNF-1664 | 2.8       | 13    | (20~64)              | ----  | ----      | 1.4                     | 1.60 | 100           | 2.32   | 90               |



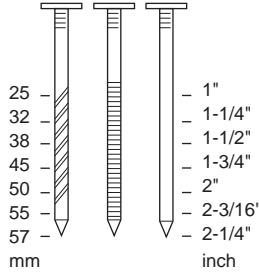
# AIR COIL NAILER

AIR COIL NAILER



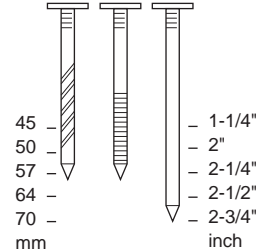
## SJ-CN55

COIL NAILER Safty Trigger  
Air inlet : 1/4"



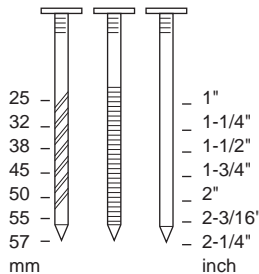
## SJ-CN70

COIL NAILER Safty Trigger  
Air inlet : 1/4"



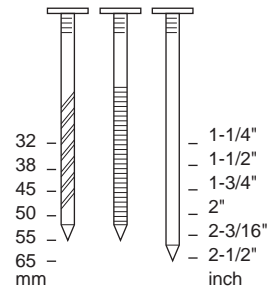
## SJ-CN57

57mm AIR COIL NAILER Safty Trigger  
Air inlet : 1/4"

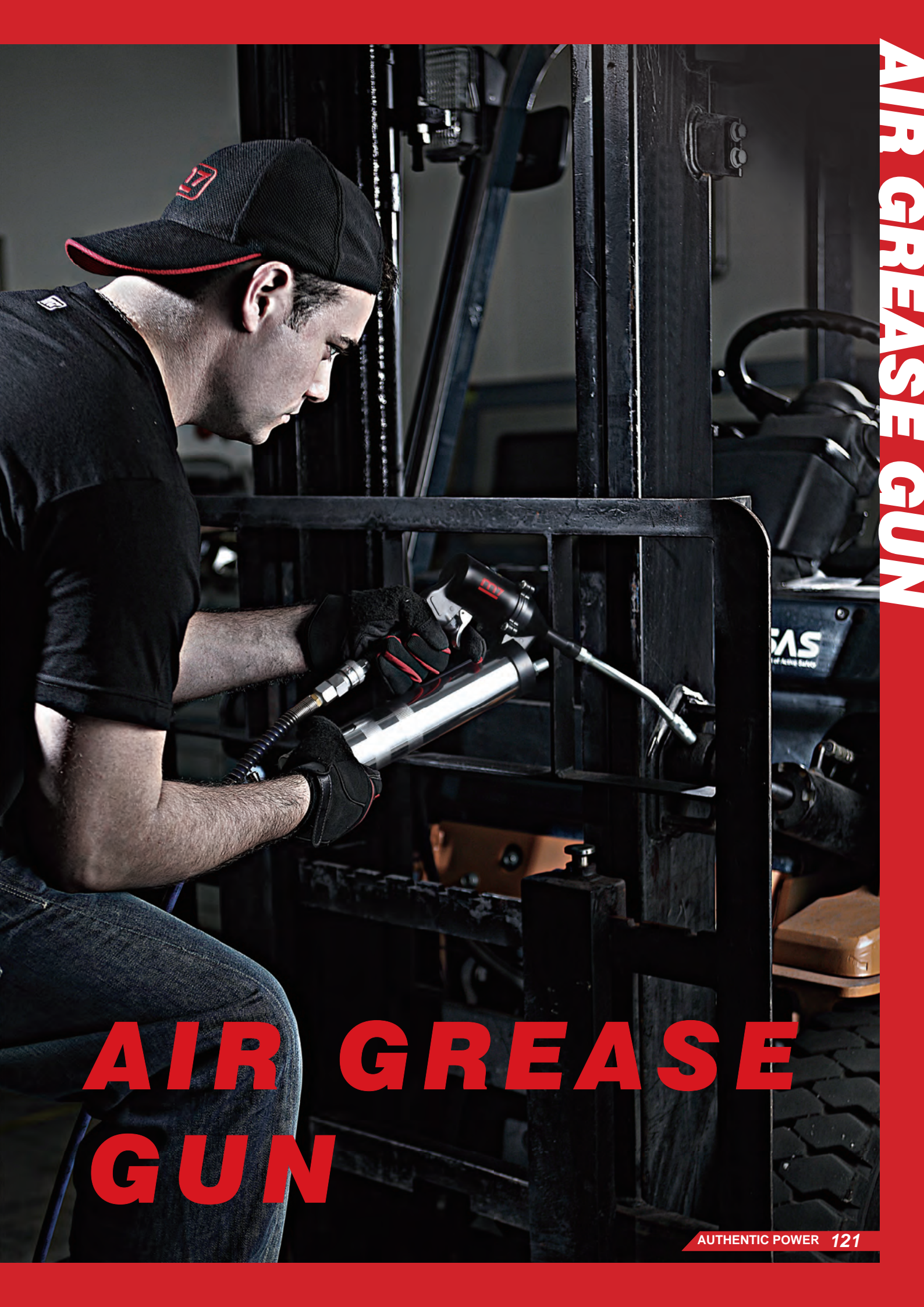


## SJ-CN65

65mm AIR COIL NAILER Safty Trigger  
Air inlet : 1/4"



|         | Shank Dia.<br>mm | Head Dia.<br>mm | Nail Length<br>mm | Collated             | Driving Power<br>(ft-lb) | Load Capacity | Dimensions<br>(H*W*L)mm | Weight<br>kg | Working Pressure<br>PSI |
|---------|------------------|-----------------|-------------------|----------------------|--------------------------|---------------|-------------------------|--------------|-------------------------|
| SJ-CN55 | 2.1-2.3          | 5.0-5.7         | 25-57             | Wire                 | 36.54                    | 300-350       | 283*131*270             | 2.8          | 90                      |
| SJ-CN70 | 2.3-2.9          | 5.7-7.0         | 45-70             | Wire                 | 61.07                    | 150-300       | 303*129*307             | 3.7          | 90                      |
| SJ-CN57 | 2.1-2.3          | 5.0-5.7         | 25-70             | Wire / Plastic Sheet | 36.40                    | 200-300       | 310*130*300             | 2.2          | 90                      |
| SJ-CN65 | 2.3-2.5          | 5.0-6.0         | 32-65             | Wire / Plastic Sheet | 39.70                    | 200-300       | 330*130*300             | 2.3          | 90                      |



**AIR GREASE GUN**

**AIR GREASE GUN**

# AIR GREASE GUN & BLOW GUN



## SG-400/500

AIR GREASE GUN  
Air inlet : 1/4"

10 pieces in one carton

Note: SG-500 for Australia



## SG-400C

COMPOSITE AIR GREASE GUN  
Air inlet : 1/4"

10 pieces in one carton



## SG-401/501

AIR GREASE GUN / CONTINUOUS TYPE  
Air inlet : 1/4"

10 pieces in one carton

Note: SG-501 for Australia



## JC-491

STANDARD SAFETY TIP

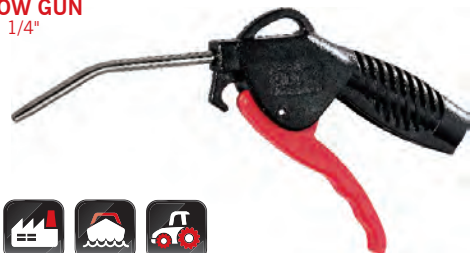
Available with

JC-491 for JC-405 JC-410 JC-412 JC-424 JC-435



## JC-304/310/313 JC-320/340

AIR BLOW GUN  
Air inlet : 1/4"



## JC-405/410/412 JC-424/435

AIR BLOW GUN  
Air inlet : 1/4"



JC-304 / JC-405  
JC-340 / JC-435

60 pieces in one carton

JC-310 / JC-410  
JC-313 / JC-412

JC-320 / JC-424

50 pieces in one carton

## JC-202

AIR BLOW GUN  
Air inlet : 1/4"

20 pieces in one carton



Extendable tube.  
Revolvable nozzle.

# JC-640/641/680

**SUPER AIR BLOW GUN**

Air inlet : 1/4"

JC-640/JC-641 40"

JC-680 80"

20 pieces in one carton



# JC-0424[SET]

**AIR BLOW GUN**

Air inlet : 1/4"

Contenes

JC-405 8PCS

JC-410 8PCS

JC-412 8PCS

4 set in one carton



# JC-0415[SET]

**AIR BLOW GUN**

Air inlet : 1/4"

Contenes

JC-405 15PCS

4 set in one carton



|         | Air Inlet<br>inch | Working Pressure<br>kgf/cm <sup>2</sup> | Proof Pressure<br>kgf/cm <sup>2</sup> | Capacity<br>C.C | Air Hose<br>Inch | Net Weight<br>LBS<br>kg | Sound Pressure<br>dBA | Vibration Level<br>m/s <sup>2</sup> |
|---------|-------------------|---|---------------------------------------|-----------------|------------------|-------------------------|-----------------------|-------------------------------------|
|         | —                 |   |                                       | —               |                  |                         |                       |                                     |
| SG-400  | 1/4"              | 2.8-8.4                                 | 10.5                                  | 400             | 3/8"             | 3.2<br>1.46             | 80.2                  | 0.7                                 |
| SG-500  | 1/4"              | 2.8-8.4                                 | 10.5                                  | 500             | 3/8"             | 3.52<br>1.6             | 80.2                  | 0.7                                 |
| SG-400C | 1/4"              | 2.8-8.4                                 | 10.5                                  | 400             | 3/8"             | 2.2<br>1.0              | 81.4                  | 0.6                                 |
| SG-401  | 1/4"              | 2.8-8.4                                 | 10.5                                  | 400             | 3/8"             | 3.52<br>1.6             | 74.0                  | 2.0                                 |
| SG-501  | 1/4"              | 2.8-8.4                                 | 10.5                                  | 500             | 3/8"             | 3.74<br>1.7             | 74.0                  | 2.0                                 |

|        | Nozzle Length<br>inch | Working Pressure<br>PSI (bar) | Max Pressure<br>PSI (bar) | Avg. Air Consumption<br>CFM(L/min) | Avg. Air Consumption<br>CFM(L/min) | Net Weight<br>LBS<br>kg | Air Hose<br>Inch | Sound Pressure<br>dBA |
|--------|-----------------------|-------------------------------|---------------------------|------------------------------------|------------------------------------|-------------------------|------------------|-----------------------|
|        |                       | Working                       |                           |                                    |                                    |                         |                  |                       |
| JC-202 | 6-1/2"~12"            | 90-120(6.2-8.5)               | 220(15.1)                 | -----                              | 5.10(144)                          | 0.48<br>0.22            | 3/8"             | 90.0                  |
| JC-304 | 4"                    | 75-120(5.3-8.5)               | 150(10.6)                 | 13.0(368)                          | 15.0(425)                          | 0.15<br>0.07            | 3/8"             | 90.0                  |
| JC-310 | 10"                   | 75-120(5.3-8.5)               | 150(10.6)                 | 13.0(368)                          | 15.0(425)                          | 0.22<br>0.10            | 3/8"             | 90.0                  |
| JC-313 | 13"                   | 75-120(5.3-8.5)               | 150(10.6)                 | 13.0(368)                          | 15.0(425)                          | 0.24<br>0.11            | 3/8"             | 90.0                  |
| JC-320 | 20"                   | 75-120(5.3-8.5)               | 150(10.6)                 | 13.0(368)                          | 15.0(425)                          | 0.31<br>0.14            | 3/8"             | 90.0                  |
| JC-340 | 40"                   | 75-120(5.3-8.5)               | 150(10.6)                 | 13.0(368)                          | 15.0(425)                          | 0.50<br>0.23            | 3/8"             | 90.0                  |
| JC-405 | 5"                    | 75-120(5.3-8.5)               | 150(10.6)                 | 13.0(368)                          | 15.0(425)                          | 0.24<br>0.11            | 3/8"             | 90.0                  |
| JC-410 | 10"                   | 75-120(5.3-8.5)               | 150(10.6)                 | 13.0(368)                          | 15.0(425)                          | 0.26<br>0.12            | 3/8"             | 90.0                  |
| JC-412 | 12"                   | 75-120(5.3-8.5)               | 150(10.6)                 | 13.0(368)                          | 15.0(425)                          | 0.28<br>0.13            | 3/8"             | 90.0                  |
| JC-424 | 24"                   | 75-120(5.3-8.5)               | 150(10.6)                 | 13.0(368)                          | 15.0(425)                          | 0.31<br>0.14            | 3/8"             | 90.0                  |
| JC-435 | 35"                   | 75-120(5.3-8.5)               | 150(10.6)                 | 13.0(368)                          | 15.0(425)                          | 0.55<br>0.25            | 3/8"             | 90.0                  |
| JC-640 | 40"                   | 75-120(5.3-8.5)               | 150(10.6)                 | 13.0(368)                          | 15.0(425)                          | 0.75<br>0.34            | 3/8"             | 90.0                  |
| JC-641 | 40"                   | 75-120(5.3-8.5)               | 150(10.6)                 | 13.0(368)                          | 15.0(425)                          | 0.75<br>0.34            | 3/8"             | 90.0                  |
| JC-680 | 80"                   | 75-120(5.3-8.5)               | 150(10.6)                 | 13.0(368)                          | 15.0(425)                          | 1.41<br>0.64            | 3/8"             | 90.0                  |

**0.5 HP SERIES**



# **0.5 HP SERIES**



.5HP SERIES

m7

m7



# NE-383 NE-483

1/2" & 3/8"

DRIVE AIR  
RATCHET WRENCH  
Air inlet : 1/4"

10 pieces in one carton



**TWO STEP TRIGGER**

|        | Square Drive | Torque Range   | Max Torque | Free Speed | Avg. Air Consumption | Air Pressure | Overall Length | Net Weight | Air Hose | Sound Pressure | Vibration Level |
|--------|--------------|----------------|------------|------------|----------------------|--------------|----------------|------------|----------|----------------|-----------------|
|        | Inch         | FT-LB (Nm)     | FT-LB Nm   | R.P.M      | CFM (L/min)          | PSI (bar)    | Inch (mm)      | LBS kg     | Inch     | dBA            | m/s²            |
| NE-383 | 3/8"         | 10-65(13.5-88) | 100 135.6  | 250        | 5.0(141)             | 90(6.3)      | 10-29/32"(277) | 2.82 1.28  | 3/8"     | 85             | 2.0             |
| NE-483 | 1/2"         | 10-65(13.5-88) | 100 135.6  | 250        | 5.0(141)             | 90(6.3)      | 10-29/32"(277) | 2.82 1.28  | 3/8"     | 85             | 2.0             |

# 0.5 HP SERIES

0.5 HP SERIES



## NE-462T

**1/2" DRIVE AIR ANGLE IMPACT RATCHET**

Air inlet : 1/4" Pin Ciltch Type

10 pieces in one carton



## QA-110 A/B

**AIR DIE GRINDER**

Air inlet : 1/4"

20 pieces in one carton



## QA-116 A/B

**AIR DIE GRINDER** Air inlet : 1/4"

20 pieces in one carton



## QA-681 A/B

**AIR DIE GRINDER**

Air inlet : 1/4"

- Spindle lock design.
- Grease hole
- 0.5 hp motor



## QC-213T

**3" HEAVY DUTY AIR CUT-OFF TOOL**

Note: wheel is supplied with the tool

Available Dimension of inner hold : Ø 10mm

Air inlet : 1/4"

- Excellent for cutting rusted bolts, nuts, motor exhaust clamps or hangers, sheet metal, fiberglass etc.

20 pieces in one carton



3" Wheel



## QC-234T

**4" AIR CORNER CUT-OFF TOOL**

Note: wheel is supplied with the tool

Available Dimension of inner hold : Ø 10mm Ø 16mm

Air inlet : 1/4"

6 pieces in one carton



4" Wheel

- Excellent for cutting rusted bolts, nuts, motor exhaust clamps or hangers, sheet metal, fiberglass etc.



## QC-264

### 4" AIR CORNER CUT-OFF TOOL

Note: wheel is supplied with the tool  
Available Dimension of inner hold : Ø 10mm Ø 16mm  
Air inlet : 1/4"

10 pieces in one carton

- Excellent for cutting rusted bolts, nuts, motor exhaust clamps or hangers, sheet metal, fiberglass etc.



## QK-111T

### AIR KNIFE

Air inlet : 1/4"

10 pieces in one carton



|         | Oscillation<br>per min | Avg. Air Consumption<br>CFM (L/min) | Overall Length<br>Inch (mm) | Net Weight<br>LBS(kg) | Air Hose<br>Inch | Sound Pressure<br>dBA | Vibration Level<br>m/s <sup>2</sup> |
|---------|------------------------|-------------------------------------|-----------------------------|-----------------------|------------------|-----------------------|-------------------------------------|
|         |                        |                                     |                             |                       |                  |                       |                                     |
| QK-111T | 20000                  | 5.0(141)                            | 8-3/16" (208)               | 2.0(0.92)             | 3/8"             | 85                    | 3.3                                 |

|         | Belt Size<br>Pad Dia<br>inch(mm) | Free Speed<br>R.P.M | Avg. Air Consumption<br>CFM (L/min) | Air Pressure<br>PSI (bar) | Overall Length<br>Inch (mm) | Motor<br>HP | Net Weight<br>LBS kg | Air Hose<br>Inch | Sound Pressure<br>dBA | Vibration Level<br>m/s <sup>2</sup> |
|---------|----------------------------------|---------------------|-------------------------------------|---------------------------|-----------------------------|-------------|----------------------|------------------|-----------------------|-------------------------------------|
|         |                                  |                     |                                     |                           |                             | <b>hp</b>   |                      |                  |                       |                                     |
| QC-213T | 3"(75)                           | 22000               | 5.0(141)                            | 90(6.3)                   | 7-7/8"(200)                 | 0.5         | 1.8 0.82             | 3/8"             | 85.0                  | 3.0                                 |
| QC-234T | 4"(100)                          | 15000               | 5.0(141)                            | 90(6.3)                   | 13-9/16"(345)               | 0.5         | 3.1 1.41             | 3/8"             | 85.0                  | 2.2                                 |
| QC-264  | 4"(100)                          | 15000               | 5.0(141)                            | 90(6.3)                   | 9-5/32"(232)                | 0.5         | 2.4 1.1              | 3/8"             | 85.0                  | 2.2                                 |

|         | Square Drive<br>Inch | Torque Range<br>FT-LB (Nm) | Max Torque<br>FT-LB Nm | Free Speed<br>R.P.M | Avg. Air Consumption<br>CFM (L/min) | Air Pressure<br>PSI (bar) | Overall Length<br>Inch (mm) | Net Weight<br>LBS kg | Air Hose<br>Inch | Sound Pressure<br>dBA | Vibration Level<br>m/s <sup>2</sup> |
|---------|----------------------|----------------------------|------------------------|---------------------|-------------------------------------|---------------------------|-----------------------------|----------------------|------------------|-----------------------|-------------------------------------|
|         |                      |                            |                        |                     |                                     |                           |                             |                      |                  |                       |                                     |
| NE-462T | 1/2"                 | 10-65(13.5-88)             | 100 135                | 200                 | 5.0(141)                            | 90(6.3)                   | 13-13/32"(340)              | 4.0 1.83             | 3/8"             | 85.0                  | 2.2                                 |

|        | Collet Size<br>A mm | Collet Size<br>B inch | Free Speed<br>R.P.M | Avg. Air Consumption<br>CFM (L/min) | Air Pressure<br>PSI (bar) | Overall Length<br>Inch (mm) | Motor<br>HP | Net Weight<br>LBS(kg) | Air Hose<br>Inch | Sound Pressure<br>dBA | Vibration Level<br>m/s <sup>2</sup> |
|--------|---------------------|-----------------------|---------------------|-------------------------------------|---------------------------|-----------------------------|-------------|-----------------------|------------------|-----------------------|-------------------------------------|
|        |                     |                       |                     |                                     |                           |                             | <b>hp</b>   |                       |                  |                       |                                     |
| QA-110 | 6 & 3               | 1/4" & 1/8"           | 22000               | 5.0(141)                            | 90 (6.3)                  | 7-5/16"(186)                | 0.5         | 1.36 0.62             | 3/8"             | 85.0                  | 1.1                                 |
| QA-116 | 6 & 3               | 1/4" & 1/8"           | 22000               | 5.0(141)                            | 90 (6.3)                  | 13-9/16"(345)               | 0.5         | 2.53 1.15             | 3/8"             | 85.0                  | 1.8                                 |
| QA-681 | 6 & 3               | 1/4" & 1/8"           | 20000               | 5.0(141)                            | 90 (6.3)                  | 7-11/16" (195)              | 0.5         | 1.76 0.8              | 3/8"             | 85.0                  | 1.8                                 |



# 0.5 HP SERIES

0.5 HP SERIES



## QP-415

AIR ANGLE POLISHER  
Air inlet : 1/4"  
Spindle Size : 5/16"-24

10 pieces in one carton



## QE-935

3/8" Air Straight Drill  
With Key Chuck  
Air inlet : 1/4"

20 pieces in one carton



2pcs Planet Gear with bearing



## QE-936

3/8" AIR STRAIGHT  
DRILL  
With Key Chuck

20 pieces in one carton



## QB-802T QB-802TU For USA

AIR ERASER  
Air inlet : 1/4"

Spindle Size : 3/8"-24

10 pieces in one carton



## QB-812T QB-812TU For USA

AIR ERASER  
Air inlet : 1/4"

Spindle Size : 3/8"-24

20 pieces in one carton





## QT-112T

AIR TYRE BUFFER

Air inlet : 1/4"

20 pieces in one carton



2pcs Planet Gear with bearing



## QT-203T QT-303

AIR TYRE BUFFER / Quick change Chuck

Air inlet : 1/4"

10 pieces in one carton



2pcs Planet Gear with bearing



|         | Chuck Size<br>inch(mm) | Collet Size<br>inch mm | Free Speed<br>R.P.M | Avg. Air Consumption<br>CFM (L/min) | Air Pressure<br>PSI (bar) | Overall Length<br>Inch (mm) | Motor<br>hp | Net Weight<br>LBS(kg) | Air Hose<br>Inch | Sound Pressure<br>dBA | Vibration Level<br>m/s <sup>2</sup> |
|---------|------------------------|------------------------|---------------------|-------------------------------------|---------------------------|-----------------------------|-------------|-----------------------|------------------|-----------------------|-------------------------------------|
| QT-112T | ----                   | 1/4" / 6               | 4000                | 5.0 (141)                           | 90(6.3)                   | 8-27/32"(225)               | 0.5         | 1.72 / 0.78           | 3/8"             | 85.0                  | 1.2                                 |
| QT-203T | Hex.7/16"(11.1)        | ----                   | 4000                | 5.0 (141)                           | 90(6.3)                   | 8-27/32"(225)               | 0.5         | 1.98 / 0.90           | 3/8"             | 85.0                  | 1.6                                 |
| QT-303  | Hex.7/16"(11.1)        | ----                   | 22000               | 5.0 (141)                           | 90(6.3)                   | 8-9/16"(217)                | 0.5         | 1.74 / 0.79           | 3/8"             | 85.0                  | 1.6                                 |

|         | Free Speed<br>R.P.M | Avg. Air Consumption<br>CFM (L/min) | Air Pressure<br>PSI (bar) | Overall Length<br>Inch (mm) | Motor<br>HP | Net Weight<br>LBS kg | Air Hose<br>Inch | Sound Pressure<br>dBA | Vibration Level<br>m/s <sup>2</sup> |
|---------|---------------------|-------------------------------------|---------------------------|-----------------------------|-------------|----------------------|------------------|-----------------------|-------------------------------------|
| QB-802T | 4000                | 5.0 (141)                           | 90(6.3)                   | 8-5/32"(212)                | 0.5         | 3.08 / 1.40          | 3/8"             | 85.0                  | 1.2                                 |
| QB-812T | 4000                | 5.0 (141)                           | 90(6.3)                   | 8-15/32"(215)               | 0.5         | 1.67 / 0.76          | 3/8"             | 85.0                  | 1.2                                 |

|        | Chuck Size<br>inch(mm) | Free Speed<br>R.P.M | Motor<br>hp | Avg. Air Consumption<br>CFM (L/min) | Air Pressure<br>PSI (bar) | Overall Length<br>Inch (mm) | Net Weight<br>LBS kg | Air Hose<br>Inch | Sound Pressure<br>dBA | Vibration Level<br>m/s <sup>2</sup> |
|--------|------------------------|---------------------|-------------|-------------------------------------|---------------------------|-----------------------------|----------------------|------------------|-----------------------|-------------------------------------|
| QE-935 | 3/8"(10)               | 4000                | 0.5         | 5.0(141)                            | 90(6.3)                   | 9"(230)                     | 1.89 / 0.86          | 3/8"             | 85.0                  | 1.6                                 |
| QE-936 | 3/8"(10)               | 22000               | 0.5         | 5.0(141)                            | 90(6.3)                   | 8-9/16"(218)                | 1.62 / 0.74          | 3/8"             | 85.0                  | 1.2                                 |

|        | Pad Dia<br>inch(mm) | Free Speed<br>R.P.M | Avg. Air Consumption<br>CFM (L/min) | Air Pressure<br>PSI (bar) | Overall Length<br>Inch (mm) | Motor<br>HP | Net Weight<br>LBS(kg) | Air Hose<br>Inch | Sound Pressure<br>dBA | Vibration Level<br>m/s <sup>2</sup> |
|--------|---------------------|---------------------|-------------------------------------|---------------------------|-----------------------------|-------------|-----------------------|------------------|-----------------------|-------------------------------------|
| QP-415 | 5"(127)             | 2500                | 5.0(141)                            | 90(6.3)                   | 8-11/32"(211)               | 0.5         | 2.5 / 1.14            | 3/8"             | 85.0                  | 1.1                                 |

**AUTO REPAIR TOOL**

**AUTO  
REPAIR  
TOOL**





## NC-0208[SET]

1/4" DRIVE AIR IMPACT WRENCH 8 PCS

Twin Dog Type

Air inlet : 1/4"

10 pieces in one carton

- 1pc 1/4" Air Impact Wrench (NC-2710)
- 5pcs Socket:8.9.10.11.12mm
- 1pc 1/4" Drive Universal Joint
- 1pc 1/4" Extension Bar
- 1pc Plug



NC-2710



| Square Drive | Bolt Capacity | Torque Range | Max Torque       | Free Speed | Avg. Air Consumption | Air Pressure | Overall Length | Net Weight   | Air Hose | Sound Pressure | Vibration Level  |
|--------------|---------------|--------------|------------------|------------|----------------------|--------------|----------------|--------------|----------|----------------|------------------|
| Inch         | Inch (mm)     | FT-LB (Nm)   | FT-LB Nm         | R.P.M      | CFM (L/min)          | PSI (bar)    | Inch (mm)      | LBS kg       | Inch     | dBA            | m/s <sup>2</sup> |
| NC-2710      | 1/4"          | M8           | 7.4-29.5 (10-40) | 29 40      | 11000                | 5.3(150)     | 90 (6.3)       | 5-3/8" (163) | 1.76 0.8 | 3/8"           | 91.0 3.4         |



## QB-0618[SET]

90° MINI SANDER POLISHER 18 PCS SET

Air inlet : 1/4"

**CONTENTS:**

- QB-625 (1pcs)
- Disc 2"PAD (1pcs)
- Disc 3"PAD (1pcs)
- Removal Sandering
- 2"#80-YL (1pcs)
- 2"#150-RD (2pcs)
- 2"#300-BL (2pcs)
- 2"Stripping Disc
- 3"#80-YL (1pcs)
- 3"#150-RD (2pcs)
- 3"#300-BL (2pcs)
- 3"Stripping Dis
- Adaptor
- Spanner
- Oil



QB-625



| Pad Dia / Arbor Size | Free Speed | Avg. Air Consumption | Air Pressure | Overall Length | Motor       | Net Weight | Air Hose | Sound Pressure | Vibration Level  |     |
|----------------------|------------|----------------------|--------------|----------------|-------------|------------|----------|----------------|------------------|-----|
| inch                 | R.P.M      | CFM                  | PSI (bar)    | Inch (mm)      | HP          | LBS(kg)    | Inch     | dBA            | m/s <sup>2</sup> |     |
| QB-625               | 2" / 3"    | 15000                | 17.2         | 90(6.3)        | 7-1/8"(180) | 0.6        | 0.61 1.3 | 3/8"           | 75               | 2.5 |

# AUTO REPAIR TOOL

AUTO REPAIR TOOL



## NC-2210N [SET]

1/4" DRIVE AIR IMPACT WRENCH

Twin Dog Type Air inlet : 1/4"

1 carton / 5 set

20 pieces in one carton

### Contents:

- + 1 pc 1/4" Impact Socket 8 mm
- + 1 pc 1/4" Impact Socket 9 mm
- + 1 pc 1/4" Impact Socket 10 mm
- + 1 pc 1/4" Impact Socket 11 mm
- + 1 pc 1/4" Impact Socket 12 mm
- + 1 pc 1/4" Extension Bar (L:50mm)
- + 1 pc 1/4" Extension Bar (L:125mm)
- + 1 pc 1/4" Universal Joint
- + 1 pc 1/4" Plug
- + 1 pc Air Impact Wrench



NC-2210



|         | Square Drive<br>Inch | Bolt Capacity<br>Inch (mm) | Torque Range<br>FT-LB (Nm) | Max Torque<br>FT-LB Nm | Free Speed<br>R.P.M | Avg. Air Consumption<br>CFM (L/min) | Air Pressure<br>PSI (bar) | Overall Length<br>Inch (mm) | Net Weight<br>LBS kg | Air Hose<br>Inch | Sound Pressure<br>dBA | Vibration Level<br>m/s <sup>2</sup> |
|---------|----------------------|----------------------------|----------------------------|------------------------|---------------------|-------------------------------------|---------------------------|-----------------------------|----------------------|------------------|-----------------------|-------------------------------------|
| NC-2210 | 1/4"                 | M5                         | 4-45 (6-61)                | 50 67.8                | 11000               | 1.8(51)                             | 90(6.3)                   | 6-17/32"(166)               | 1.4 0.65             | 3/8"             | 77.0                  | 1.8                                 |



## QA-651N [SET]

AIR DIE GRINDER

Air inlet : 1/4"

### Contents:

- + 1 pc Air Die Grinder
- + 1 pc Collet : 3mm (or1/8")
- + 5 pcs Grinder Stones 3mm
- + 5 pcs Grinder Stones 6mm
- + 1 pc 1/4" Plug
- + 1 pc Oil Box
- + 2 pcs Spanner Wrench

1 carton / 5 set

20 pieces in one carton



QA-651



|        | Collet Size<br>inch(mm) | Free Speed<br>R.P.M | Avg. Air Consumption<br>CFM (L/min) | Air Pressure<br>PSI (bar) | Overall Length<br>Inch (mm) | Hose Length<br>mm | Net Weight<br>LBS(kg) | Air Hose<br>Inch | Sound Pressure<br>dBA | Vibration Level<br>m/s <sup>2</sup> | Motor<br>HP |
|--------|-------------------------|---------------------|-------------------------------------|---------------------------|-----------------------------|-------------------|-----------------------|------------------|-----------------------|-------------------------------------|-------------|
| QA-651 | 1/4" (6)                | 18000               | 2.7(76)                             | 90(6.3)                   | 5" (127)                    | ----              | 1.10 0.5              | 3/8"             | 74.0                  | 0.3                                 | 0.3         |



## QP-212N[SET]

**AIR HIGH SPEED SANDER**

Air inlet : 1/4"

**Contents:**

- + 1 pc Air High Speed Sander
- + 1 pc 2" Rubber PAD(1/4"-20)
- + 1 pc 2" Pad Die#80
- + 1 pc 2" Stripping Disc #80-YL(Coarse)
- + 1 pc 2" Stripping Disc #150-RD(Med)
- + 1 pc 3" Rubber PAD(1/4"-20)
- + 1 pc 3" Pad Die#80
- + 1 pc 3" Stripping Disc #80-YL(Coarse)
- + 1 pc 3" Stripping Disc #150-RD(Med)
- + 1 pc 1/4" Plug
- + 1 pc Oil Box
- + 1 pc Spanner Wrench



**QP-212**

1 carton / 5 set

20 pieces in one carton

(Air Tool Only)



## QP-213N[SET]

**AIR ORBIT SANDER**

Air inlet : 1/4"

**Contents:**

- + 1 pc Air Sander
- + 1 pc 2" PAD(5/16"-24)
- + 1 pc 3" PAD (5/16"-24)
- + 10 pcs 2" Sandpaper#180
- + 10 pcs 2" Sandpaper#220
- + 10 pcs 2" Sandpaper#320
- + 10 pcs 3" Sandpaper#180
- + 10 pcs 3" Sandpaper#220
- + 10 pcs 3" Sandpaper#320
- + 1 pc 1/4" Plug
- + 1 pc Oil Box
- + 2 pcs Spanner Wrench



**QP-213**

1 carton / 5 set

20 pieces in one carton

(Air Tool Only)



|        | Pad Dia  | Free Speed | Avg. Air Consumption | Air Pressure | Overall Length | Motor | Net Weight | Air Hose | Sound Pressure | Vibration Level  | Spindle Size |
|--------|----------|------------|----------------------|--------------|----------------|-------|------------|----------|----------------|------------------|--------------|
|        | inch(mm) | R.P.M      | CFM (L/min)          | PSI (bar)    | Inch (mm)      | HP    | LBS(kg)    | Inch     | dBa            | m/s <sup>2</sup> |              |
| QP-212 | 2" or 3" | 18000      | 2.1(59)              | 90(6.3)      | 4-1/4"(107)    | 0.3   | 1.1 0.50   | 3/8"     | 73.0           | 0.9              | 1/4"-20      |
| QP-213 | 3"(76)   | 18000      | 2.1(59)              | 90(6.3)      | 4-5/8"(117)    | 0.3   | 1.1 0.50   | 3/8"     | 76.0           | 1.2              | 5/16"-24     |

# AUTO REPAIR TOOL

AUTO REPAIR TOOL



## QP-223N [SET]

**AIR MINI POLISHER**

Air inlet : 1/4"

**Contents:**

- + 1 pc Air Mini Polisher (QP-233)
- + 1 pc 3"PAD(5/16"-24)
- + 1 pc 3"Sponge (Medium)
- + 1 pc 3"Sponge (Rough)
- + 1 pc 3"Woolb Bonnet
- + 1 pc 1/4"Plug
- + 1 pc Spanner Wrench

1 carton / 5 set

20 pieces in one carton  
(Air Tool Only)



**QP-223**



|               | Pad Dia  | Free Speed | Avg. Air Consumption | Air Pressure | Overall Length | Motor | Net Weight | Air Hose | Sound Pressure | Vibration Level  | Spindle Size |
|---------------|----------|------------|----------------------|--------------|----------------|-------|------------|----------|----------------|------------------|--------------|
|               | inch(mm) | R.P.M      | CFM (L/min)          | PSI (bar)    | Inch (mm)      | HP    | LBS(kg)    | Inch     | dBA            | m/s <sup>2</sup> |              |
|               |          |            |                      |              |                |       |            |          |                |                  |              |
| <b>QP-223</b> | 3"(76)   | 5500       | 2.2(62)              | 90(6.3)      | 5-1/8"(130)    | 0.3   | 1.3 0.50   | 3/8"     | 74.0           | 0.9              | 5/16"-24     |



## QE-323N [SET]

**1/4" AIR REVERSIBLE DRILL**

Air inlet : 1/4"

**Contents:**

- + 1 pc 3.5mm Drill Bits + 1 pc Key Wrench
- + 1 pc 4.0mm Drill Bits + 1 pc 1/4"Plug
- + 1 pc 4.5mm Drill Bits + 1 pc Oil Box
- + 1 pc 5.0mm Drill Bits + 1 pc Air Reversible Drill (QE-323)
- + 1 pc 5.5mm Drill Bits

1 carton / 5 set

20 pieces in one carton  
(Air Tool Only)



**QE-323**



|               | Chuck Size  | Free Speed | Motor | Avg. Air Consumption | Air Pressure | Overall Length | Net Weight | Air Hose | Sound Pressure | Vibration Level  |
|---------------|-------------|------------|-------|----------------------|--------------|----------------|------------|----------|----------------|------------------|
|               | inch/mm     | R.P.M      | hp    | CFM (L/min)          | PSI (bar)    | Inch (mm)      | LBS kg     | Inch     | dBA            | m/s <sup>2</sup> |
|               |             |            |       |                      |              |                |            |          |                |                  |
| <b>QE-323</b> | 1/4" (6.35) | 1600       | 0.38  | 1.9(113)             | 90(6.3)      | 6-15/32"(164)  | 2.5 0.78   | 3/8"     | 74.0           | 1.2              |



## RA-505N [SET]

**AIR SCREWDRIVER** Twin Dog Type  
Screw Capacity : M5  
Air inlet : 1/4"

**Contents:**

- + 1 pcs Air Screwdriver (RA-505)
- + 2 pcs Bits FD(L:50mm)
- + 2 pcs Bits PH2(L:65mm)
- + 1 pcs Bits PH2(L:100mm)
- + 1 pc 1/4" Plug
- + 1 pc Oil Box

1 carton / 5 set

20 pieces in one carton  
(Air tool Only)



RA-505



|        | Chuck Size<br>inch(mm) | Torque Range<br>FT-LB(Nm) | Free Speed<br>R.P.M | Avg. Air Consumption<br>CFM (L/min) | Air Pressure<br>PSI (bar) | Overall Length<br>Inch (mm) | Net Weight<br>LBS kg |     | Air Hose<br>Inch | Sound Pressure<br>dBA | Vibration Level<br>m/s <sup>2</sup> |
|--------|------------------------|---------------------------|---------------------|-------------------------------------|---------------------------|-----------------------------|----------------------|-----|------------------|-----------------------|-------------------------------------|
| RA-505 | 1/4"(6.35)             | 5-45 (6~61)               | 11000               | 1.8 (51)                            | 90(6.3)                   | 6-5/16"(161)                | 1.54                 | 0.7 | 3/8"             | 74.0                  | 3.3                                 |



## QM-1125

**PNEUMATIC CV JOINT  
BOOTS FITTING TOOL**

10 pieces in one carton



|         | Capacity<br>Inch (mm) | Max Air Pressure<br>PSI (bar) | Air Pressure<br>PSI (bar) | Overall Length<br>Inch (mm) | Net Weight<br>LBS(kg) |      | Air Hose<br>Inch |
|---------|-----------------------|-------------------------------|---------------------------|-----------------------------|-----------------------|------|------------------|
| QM-1125 | 1"-4-3/8"(25-110)     | 125(8.6)                      | 90(6.3)                   | 17-3/8"(442)                | 7.15                  | 3.25 | 3/8"             |



## QT-102

**AIR TYRE BUFFER**  
Air inlet : 1/4"

10 pieces in one carton



## QT-203 QT-113

**AIR TYRE BUFFER / Quick Change Chuck**  
Air inlet : 1/4"

10 pieces in one carton



|        | Chuck Size<br>inch(mm) | Collet Size<br>inch(mm) | Free Speed<br>R.P.M | Avg. Air Consumption<br>CFM (L/min) | Air Pressure<br>PSI (bar) | Overall Length<br>Inch (mm) | Motor<br>hp | Net Weight<br>LBS(kg) |      | Air Hose<br>Inch | Sound Pressure<br>dBA | Vibration Level<br>m/s <sup>2</sup> |
|--------|------------------------|-------------------------|---------------------|-------------------------------------|---------------------------|-----------------------------|-------------|-----------------------|------|------------------|-----------------------|-------------------------------------|
| QT-102 | ----                   | 1/4" (6)                | 7500                | 3.0 (85)                            | 90(6.3)                   | 5-1/2"(140)                 | 0.3         | 0.9                   | 0.41 | 3/8"             | 77.0                  | 1.3                                 |
| QT-203 | Hex.7/16"(11.1)        | ----                    | 4000                | 10.6 (300)                          | 90(6.3)                   | 9-3/4"(250)                 | 0.5         | 1.76                  | 0.80 | 3/8"             | 75.0                  | 0.87                                |
| QT-113 | Hex.7/16"(11.1)        | ----                    | 2500                | 10.6 (300)                          | 90(6.3)                   | 9-3/4"(250)                 | 0.5         | 1.76                  | 0.80 | 3/8"             | 75.0                  | 0.87                                |



# AUTO REPAIR TOOL



**QB-0808**

**QB-0808U** For USA

**AIR SURFACE-CLEANING TOOL**

Air inlet : 1/4"

- Air Surface-Cleaning Tool:1pc(QB-802)
- Eraser Wheel:1pc
- Stripping Wheel :1pc
- Wire Wheel(Coarse):1pc
- Wire Wheel:1pcs
- Allen Key 6mm:1pc
- Spanner Wrench:1pc
- 1/4" Plug:1pc
- Adapter Male UNF 5/16"-24
- Female M6×1.0:1pc



5 pieces in one carton

QB-9414

QB-9414U For USA

QB-9415



QB-9400



QB-9411



QB-9412

**SK-1131**

**AIR CAULKING GUN**



**QB-812**

**QB-812U** For USA

**AIR ERASER**

Air inlet : 1/4"



Spindle 3/8"-24



**QB-802**

**QB-802U** For USA

**AIR SURFACE-CLEANING TOOL**

Air inlet : 1/4"

10 pieces in one carton



**SK-1010**

**AIR CAULKING GUN**



**SB-201**

**DIGITAL TYRE INFLATOR**

Air inlet : 1/4"

20 pieces in one carton



**SB-215**

**TYRE INFLATOR**

Air inlet : 1/4"

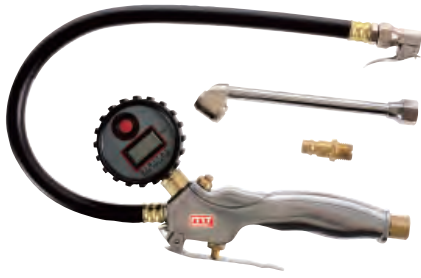
20 pieces in one carton



## SB-304

DIGITAL TYRE INFLATOR  
Air inlet : 1/4"

20 pieces in one carton



## SB-422

TYRE INFLATOR  
Air inlet : 1/4"

20 pieces in one carton



## SB-423

TYRE INFLATOR  
Air inlet : 1/4"

12 pieces in one carton



## SB-501

TYRE INFLATOR  
Air inlet : 1/4"

12 pieces in one carton



## SE-1025

FLEXIBLE LED LIGHT

- + Rechargeable working light 1pc
- + AC 100~240V ADAPTOR\*1pc
- + High strength magnet



## SE-1101

LED WORK LAMP  
USB CHARGING AVAILABLE



|         | Avg. Air Consumption<br>CFM (L/min) | Air Pressure<br>PSI (bar) | Overall Length<br>Inch (mm) | Net Weight<br>LBS kg |      | Air Hose<br>Inch |
|---------|-------------------------------------|---------------------------|-----------------------------|----------------------|------|------------------|
|         |                                     |                           |                             |                      |      |                  |
| SK-1010 | 4.0(113)                            | 50~70(3.4~4.8)            | 12" (305)                   | 2.43                 | 1.1  | 3/8"             |
| SK-1131 | 4.0(113)                            | 60~90(4.1~6.2)            | 24-7/16" (620)              | 2.66                 | 1.21 | 3/8"             |

|        | Free Speed<br>R.P.M | Avg. Air Consumption<br>CFM (L/min) | Air Pressure<br>PSI (bar) | Overall Length<br>Inch (mm) | Motor<br>HP | Net Weight<br>LBS kg |     | Air Hose<br>Inch | Sound Pressure<br>dBA | Vibration Level<br>m/s <sup>2</sup> |
|--------|---------------------|-------------------------------------|---------------------------|-----------------------------|-------------|----------------------|-----|------------------|-----------------------|-------------------------------------|
|        |                     |                                     |                           |                             |             |                      |     |                  |                       |                                     |
| QB-802 | 3600                | 10.6(300)                           | 90(6.3)                   | 7-7/8"(200)                 | 0.7         | 2.6                  | 1.2 | 3/8"             | 86                    | 0.3                                 |
| QB-812 | 4000                | 10.0(283)                           | 90(6.3)                   | 8-7/8"(225)                 | 0.5         | 1.7                  | 0.8 | 3/8"             | 75                    | 0.87                                |

|        | Max Pressure<br>PSI (bar) | Air Consumption at 100PSI<br>CFM | Air Inlet<br>Inch | Air Pressure<br>PSI (bar) | Net Weight<br>LBS kg |      | Air Hose<br>Inch | Nozzle Length<br>cm | Nozzle          |
|--------|---------------------------|----------------------------------|-------------------|---------------------------|----------------------|------|------------------|---------------------|-----------------|
|        |                           |                                  |                   |                           |                      |      |                  |                     |                 |
| SB-201 | 160(11.0)                 | 1.41                             | 1/4"              | 90(6.3)                   | 0.70                 | 0.32 | 3/8"             | 30                  | Tyre valve clip |
| SB-215 | 160(11.0)                 | 1.41                             | 1/4"              | 90(6.3)                   | 0.88                 | 0.40 | 3/8"             | 150                 | Tyre valve clip |
| SB-304 | 160(11.0)                 | 1.41                             | 1/4"              | 90(6.3)                   | 1.41                 | 0.65 | 3/8"             | 30                  | Dual chuck      |
| SB-422 | 160(11.0)                 | 1.41                             | 1/4"              | 90(6.3)                   | 1.21                 | 0.55 | 3/8"             | 45                  | Tyre valve clip |
| SB-423 | 220(15.0)                 | 1.41                             | 1/4"              | 90(6.3)                   | 2.92                 | 1.33 | 3/8"             | 100                 | Tyre valve clip |
| SB-501 | 160(11.0)                 | 1.41                             | 1/4"              | 90(6.3)                   | 2.92                 | 1.33 | 3/8"             | 30                  | Dual chuck      |

# SPECIAL TOOL

SPECIAL TOOL

## WG-202N [SET]

AIR SUCTION & BLOW GUN KIT

Air inlet : 1/4"

20 pieces in one carton

- + Use for cleaning or to suction dust, wood chips, metal shavings, glass, etc.
- + This 2 in 1 tool can be used either as air blow gun, or as a air vacuum gun.
- + Ergonomically designed for user's comfort.

### Contents:

- 1 pc Extension Tube
- 1 pc Small Diameter Vacuum Tube
- 1 pc Flat Tube
- 1 pc Brush
- 1 pc Flexible tube
- 1 pc Deflector
- 1 pc Clamping Ring
- 1 pc Dust Bag



## SQ-0217

AIR POWERED BRAKE CALIPER WIND BACK TOOL-SET 17PCS

20 pieces in one carton

- Air Powered Brake Caliper Wind Back Tool : 1pc
  - Disk : 16pcs
- Not available in north America



## WG-202

AIR SUCTION & BLOW GUN KIT

Air inlet : 1/4"

20 pieces in one carton



## SR-2101

AIR BRUSH SET

20 pieces in one carton

### CONTENTS

- AIR BRUSH(3mm Nozzle)
- PIPETTE
- SPANNER
- AIR ADAPTOR



## SC-005

BALL JOINT & TIE-ROD SPLITTER SET

20 pieces in one carton

### CONTENTS

- AIR HAMMER ADAPTER
- 1-1/8"(28.57mm) PITMAN ARM
- STRIKING HANDLE
- 11/16"(17.46mm) TIE ROD
- 15/16"(23.81mm) BALL JOINT



# SM-0813

MANUAL & PNEUMATIC FLUID EXTRACTOR

20 pieces in one carton



# SM-0911

MANUAL & PNEUMATIC FLUID EXTRACTOR

20 pieces in one carton



# SM-0503

PNEUMATIC BRAKE EXTRACTOR & REFILLED KIT

20 pieces in one carton



|         | Air Pressure | Net Weight |      | Capacity |
|---------|--------------|------------|------|----------|
|         | PSI          | LB         | KG   | L        |
|         |              |            |      |          |
| SM-0813 | 70 -170      | 6.80       | 2.7  | 7.5      |
| SM-0911 | 70 -170      | 6.80       | 3.1  | 9.5      |
| SM-0503 | 70 -170      | 4.12       | 1.86 | 3.0      |

# SANDBLASTING GUN

SANDBLASTING GUN

★★★    
**SX-3101**  
 AIR SANDBLASTING GUN  
 20 pieces in one carton



★★★    
**SX-3102**  
 AIR SANDBLASTING GUN  
 20 pieces in one carton



★★★    
**SX-3103**  
 AIR SANDBLASTING GUN  
 20 pieces in one carton









★★★    
**SX-3111**  
 AIR UNDERSEAL GUN  
 20 pieces in one carton



★★★    
**SX-3112**  
 AIR UNDERSEAL GUN  
 20 pieces in one carton



|         | Cup Capacity<br>L | Free Speed<br>R.P.M   | Avg. Air Consumption<br>CFM (L/min)   | Air Pressure<br>PSI (bar)   | Overall Length<br>Inch (mm)  | Net Weight<br>LBS(kg)   | Air Hose<br>Inch  | Sound Pressure<br>dBA   |      |
|---------|-------------------|---|---|---|--|---|---|---|------|
|         |                   |  |  |  |  |  |  |  |      |
| SX-3101 | 1.0               | -----   | 4.3 (121.8)   | 90(6.3)   | 11" (280)  | 1.26  | 0.57  | 3/8"  | 85.0 |
| SX-3102 | 0.7               | -----   | 4.0 (56.6)  | 90(6.3)   | 10-1/8" (260)  | 0.77  | 0.35  | 3/8"  | 85.0 |
| SX-3103 | -----             | -----   | 3.5 (56.6)  | 90(6.3)   | 122" (3100)  | 2.31  | 10.5  | 3/8"  | 80.0 |
| SX-3111 | 1.0               | -----   | 3.0 (84.9)  | 90(6.3)   | 10-1/8" (260)  | 0.97  | 0.44  | 3/8"  | 85.0 |
| SX-3112 | ----              | -----   | 3.0 (56.6)  | 90(6.3)   | 10-1/8" (260)  | 0.48  | 0.22  | 3/8"  | 85.0 |



## SX-2101

AIR TWISTER GUN  
Not available in North America

20 pieces in one carton



## SX-3201

AIR UNDERSEAL GUN

20 pieces in one carton



## SX-1615

AIR CLENNING GUN

20 pieces in one carton



## SX-3203

1L AIR CLEANING GUN

20 pieces in one carton



## SX-3202

AIR SOLVENT / CLEANER SPRAY GUN

20 pieces in one carton



|         | Cup Capacity<br>L | Free Speed<br>R.P.M | Avg. Air Consumption<br>CFM (L/min) | Air Pressure<br>PSI (bar) | Overall Length<br>Inch (mm) | Net Weight<br>LBS(kg) |      | Air Hose<br>Inch | Sound Pressure<br>dBA |
|---------|-------------------|---------------------|-------------------------------------|---------------------------|-----------------------------|-----------------------|------|------------------|-----------------------|
|         |                   |                     |                                     |                           |                             |                       |      |                  |                       |
| SX-2101 | 1.0               | 5500                | 2.0 (56.6)                          | 90(6.3)                   | 8-7/32*4-5/16"<br>210*110mm | 1.71                  | 0.78 | 3/8"             | 85.0                  |
| SX-1615 | 1.0               | -----               | 2.0 (56.6)                          | 90(6.3)                   | 11-7/16" (290)              | 0.9                   | 0.4  | 3/8"             | 85.0                  |
| SX-3201 | 1.8               | -----               | 3.6 (101.9)                         | 90(6.3)                   | 15-13/16" (400)             | 2.16                  | 0.98 | 3/8"             | 65.0                  |
| SX-3202 | 1.0               | -----               | 1.0 (56.6)                          | 90(6.3)                   | 20-13/16" (530)             | 1.04                  | 0.47 | 3/8"             | 65.0                  |
| SX-3203 | 1.0               | -----               | 1.0 (28.3)                          | 90(6.3)                   | 18-1/2" (290)               | 1.17                  | 0.53 | 3/8"             | 65.0                  |

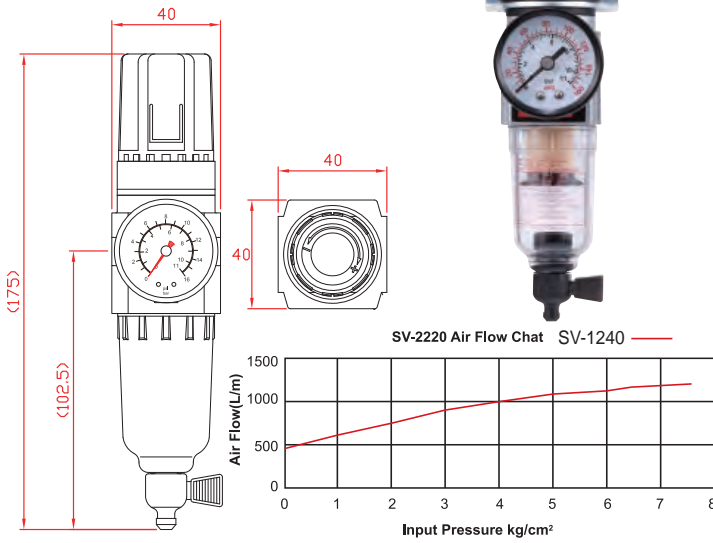
**FILTER  
REGULATOR  
LUBRICATOR**



***FILTER  
REGULATOR  
LUBRICATOR***

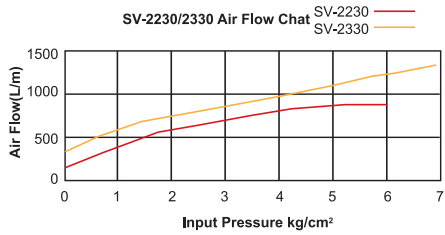
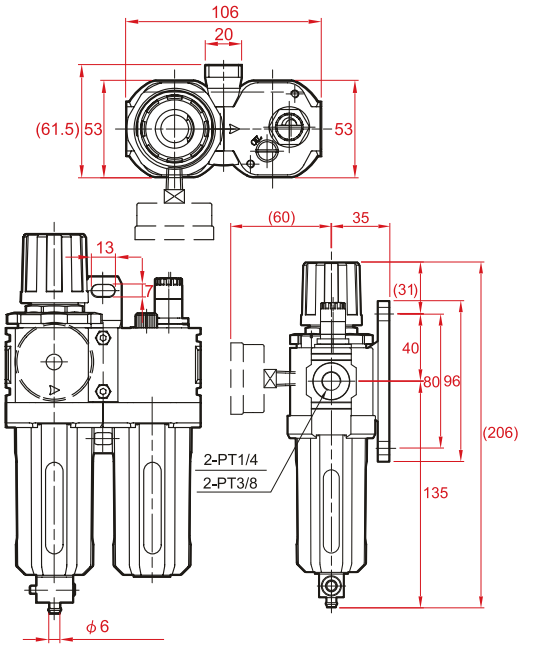
# SV-1240

**FILTER,REGULATOR**  
Air inlet : 1/4"



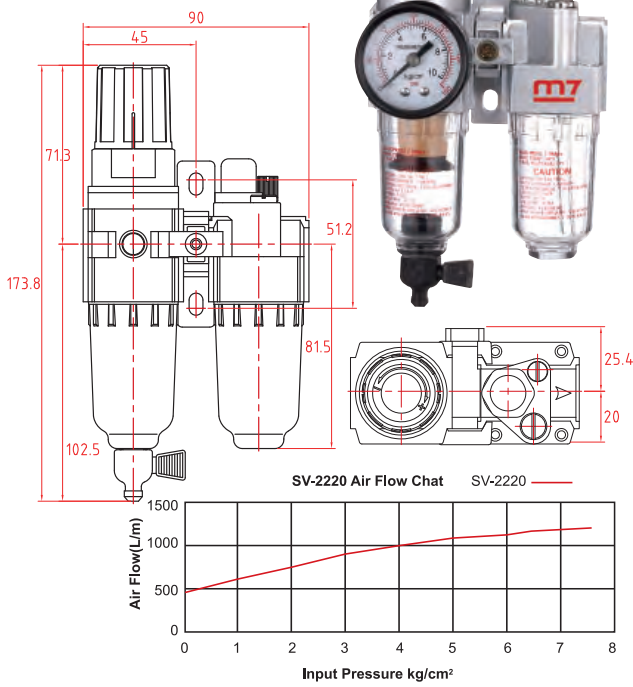
# SV-2230/2330

**FILTER,REGULATOR,LUBRICATOR**  
Air inlet : 1/4" / 3/8"



# SV-2220

**FILTER,REGULATOR,LUBRICATOR**  
Air inlet : 1/4"



|         | Air in / outlet<br>inch | Max Input Pressure<br>PSI | Max Output Pressure<br>PSI | Max.Flow<br>L/min | Working Temperature<br>°C | Drain Capacity<br>ml | Oil Capacity<br>ml | Filter Element<br>μ (micro) |
|---------|-------------------------|---------------------------|----------------------------|-------------------|---------------------------|----------------------|--------------------|-----------------------------|
|         | —                       | —                         | —                          | —                 | Working                   | —                    | —                  |                             |
| SV-1240 | 1/4"                    | 150                       | 145                        | 1100              | 5~60°                     | 15                   | ----               | 5μ                          |
| SV-2230 | 1/4"                    | 215                       | 70-140                     | 1100              | 5~60°                     | 30                   | 55                 | 5μ                          |
| SV-2330 | 3/8"                    | 215                       | 70-140                     | 1100              | 5~60°                     | 30                   | 55                 | 5μ                          |
| SV-2220 | 1/4"                    | 150                       | 70-140                     | 1100              | 5~60°                     | 15                   | 30                 | 5μ                          |



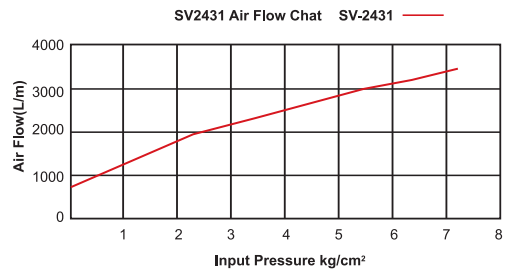
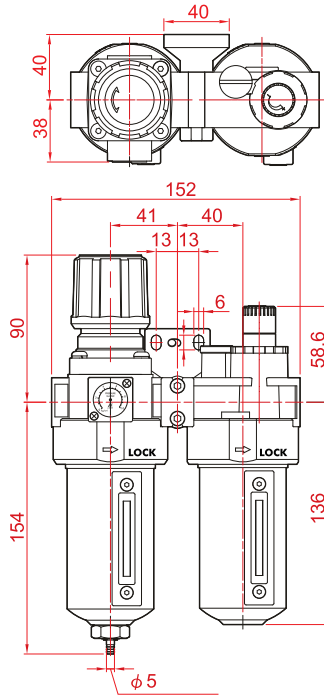
# FILTER REGULATOR LUBRICATOR

FILTER REGULATOR LUBRICATOR

## SV-2431

FILTER,REGULATOR,LUBRICATOR

Air inlet : 1/2"



## SV-1260

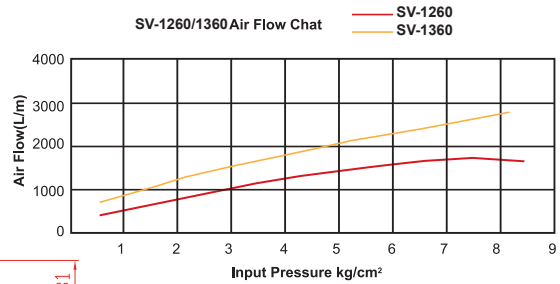
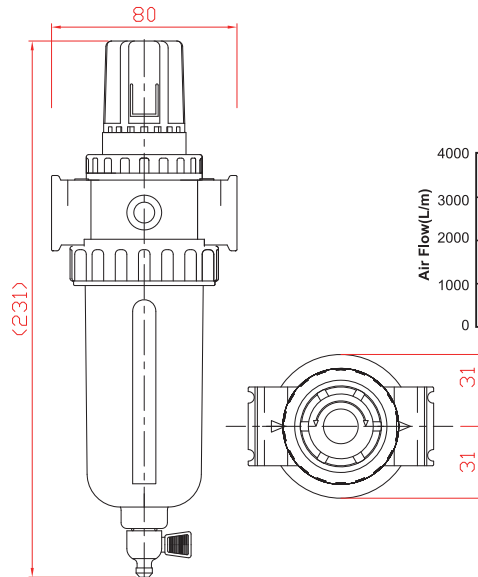
FILTER,REGULATOR

Air inlet : 1/4"

## SV-1360

FILTER,REGULATOR

Air inlet : 3/8"



# SV-2260 /2280

FILTER,REGULATOR,LUBRICATOR

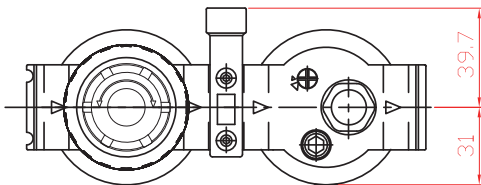
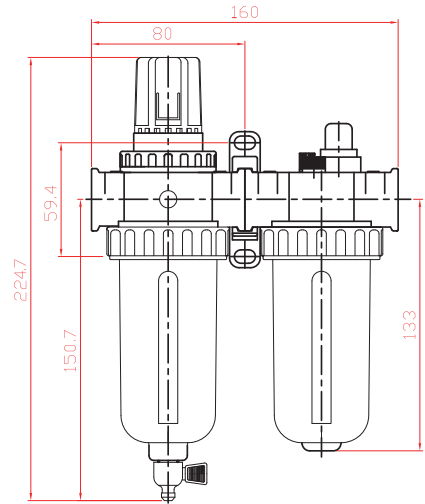
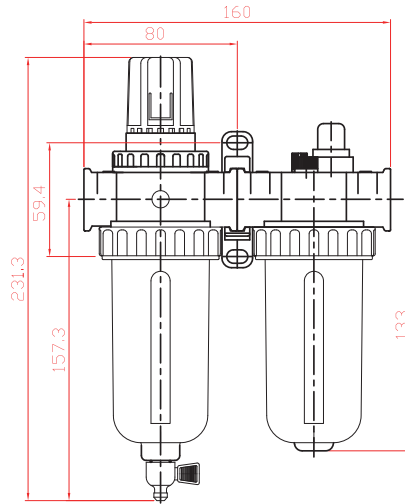
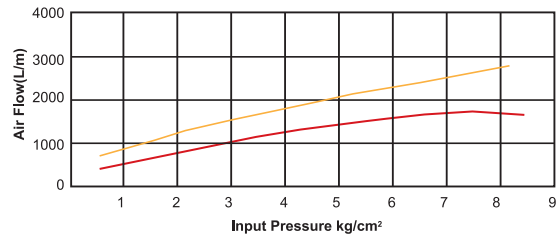
Air inlet : 1/4"

# SV-2360 /2380

FILTER,REGULATOR,LUBRICATOR

Air inlet : 3/8"

SV-2260/2280 Air Flow Chart



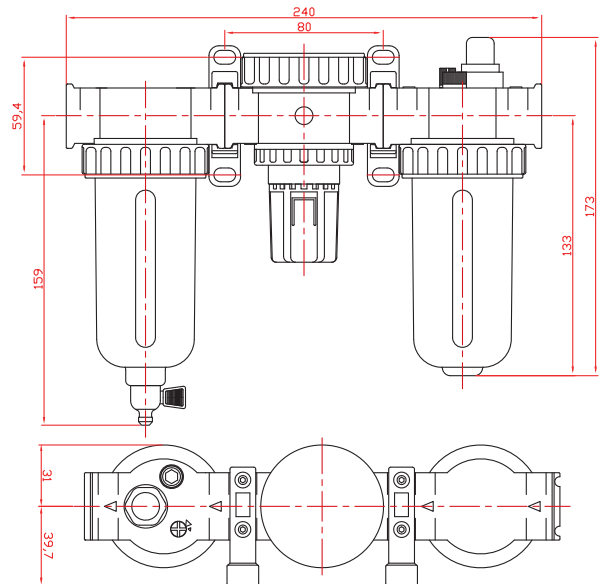
|              | Air in / outlet<br>inch | Max Input Pressure<br>PSI | Max Output Pressure<br>PSI | Max.Flow<br>L/min | Working Temperature<br>°C | Drain Capacity<br>ml | Oil Capacity<br>ml | Filter Element<br>μ (micro) |
|--------------|-------------------------|---------------------------|----------------------------|-------------------|---------------------------|----------------------|--------------------|-----------------------------|
|              | —                       | —                         | —                          | —                 | Working                   | —                    | —                  |                             |
| SV-1260      | 1/4"                    | 215                       | 145                        | 1750              | 5~60°                     | 80                   | ----               | 5μ                          |
| SV-1360      | 3/8"                    | 215                       | 145                        | 2500              | 5~60°                     | 80                   | ----               | 5μ                          |
| SV-2431      | 1/2"                    | 285                       | 70-140                     | 1100              | 5~60°                     | 80                   | 200                | 5μ                          |
| SV-2260/2360 | 1/4" / 3/8"             | 215                       | 70-150                     | 1750 / 2500       | 5~60°                     | 80                   | 150                | 5μ                          |
| SV-2280/2380 | 1/4" / 3/8"             | 250                       | 70-140                     | 1750 / 2500       | 5~60°                     | 80                   | 150                | 5μ                          |

# FILTER REGULATOR LUBRICATOR

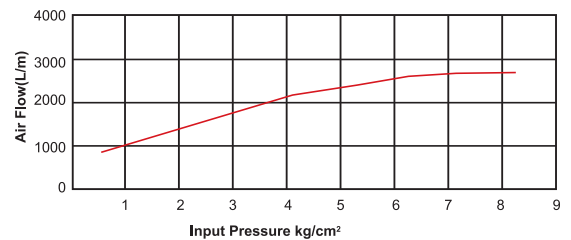
## SV-3260 / 3360

FILTER,REGULATOR,LUBRICATOR

Air inlet : 1/4" , 3/8"



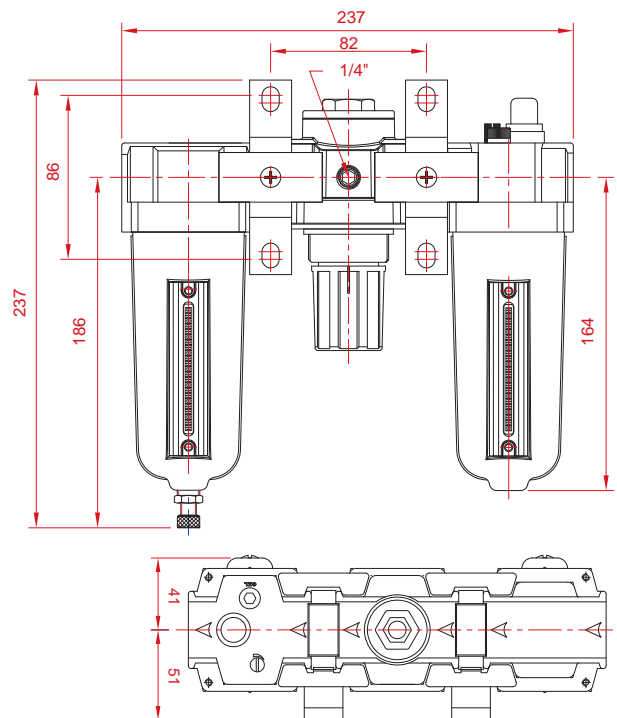
SV2260/3260 Air Flow Chart SV-3260  
SV-3360



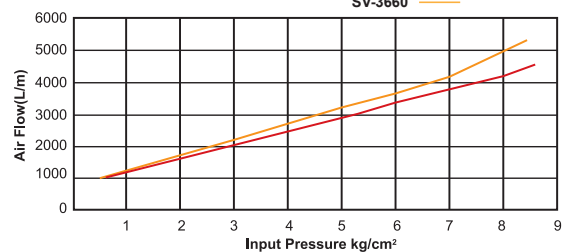
## SV-3460

FILTER,REGULATOR,LUBRICATOR

Air inlet : 1/2"



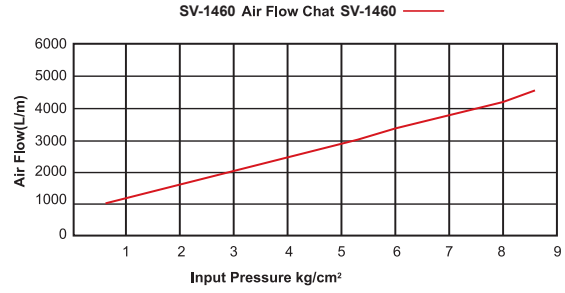
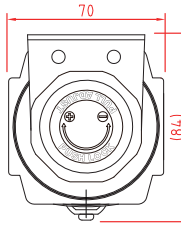
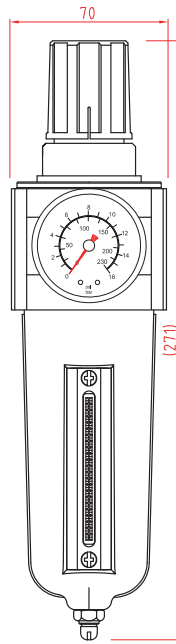
SV2460/3460 Air Flow Chart SV-2460 SV-3460  
SV-3660



# SV-1460

**FILTER,REGULATOR**

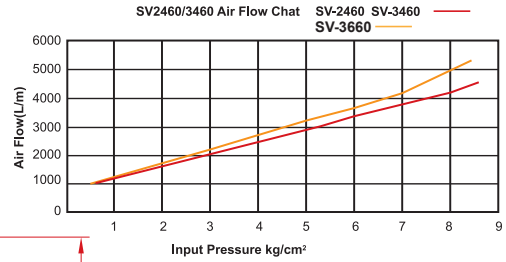
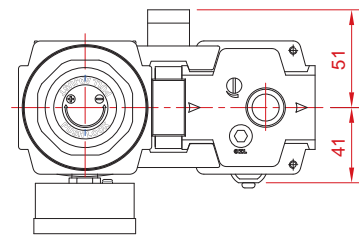
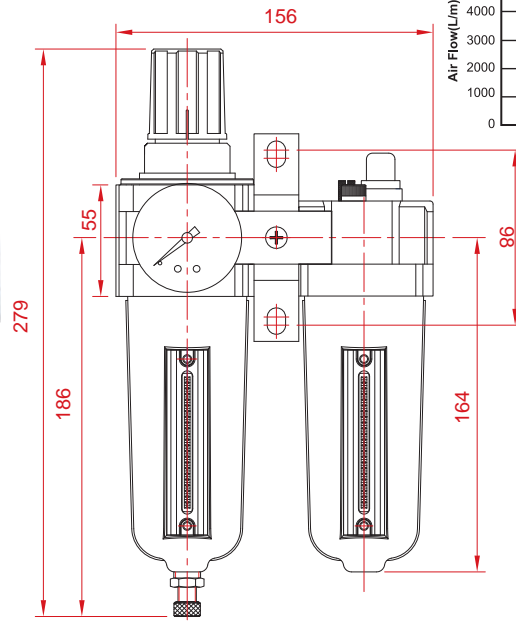
Air inlet : 1/2"



# SV-2460

**FILTER,REGULATOR,LUBRICATOR**

Air inlet : 1/2"



|              | Air in / outlet<br>inch | Max Input Pressure<br>PSI | Max Output Pressure<br>PSI | Max.Flow<br>L/min | Working Temperature<br>°C | Drain Capacity<br>ml | Oil Capacity<br>ml | Filter Element<br>μ (micro) |
|--------------|-------------------------|---------------------------|----------------------------|-------------------|---------------------------|----------------------|--------------------|-----------------------------|
|              | —                       | —                         | —                          | —                 | Working                   | —                    | —                  |                             |
| SV-1460      | 1/2"                    | 215                       | 145                        | 3000              | 5~60°                     | 80                   | -----              | 5μ                          |
| SV-2460      | 1/2"                    | 250                       | 7-215                      | 4000              | 5~60°                     | 80                   | 150                | 5μ                          |
| SV-3260/3360 | 1/4" / 3/8"             | 215                       | 70-150                     | 1750 / 2500       | 5~60°                     | 80                   | 150                | 5μ                          |
| SV-3460      | 1/2"                    | 250                       | 7-215                      | 4000              | 5~60°                     | 80                   | 150                | 5μ                          |

# FILTER REGULATOR LUBRICATOR

FILTER REGULATOR LUBRICATOR

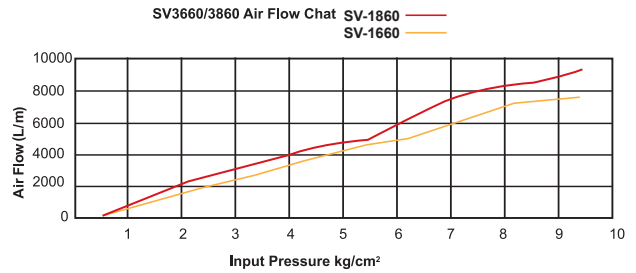
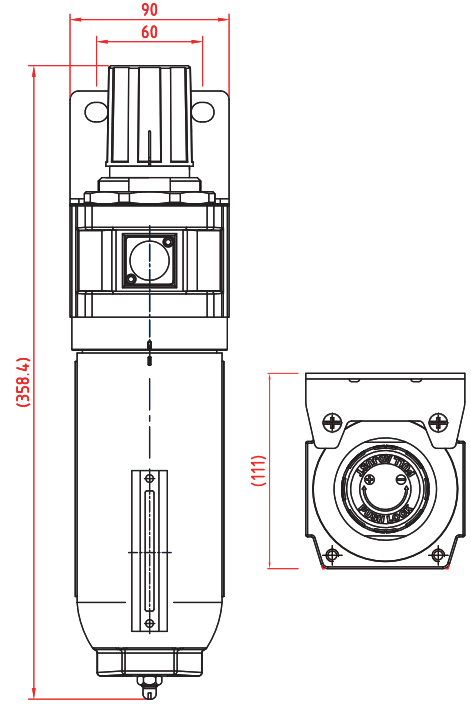
## SV-1660

FILTER,REGULATOR  
Air inlet : 3/4"



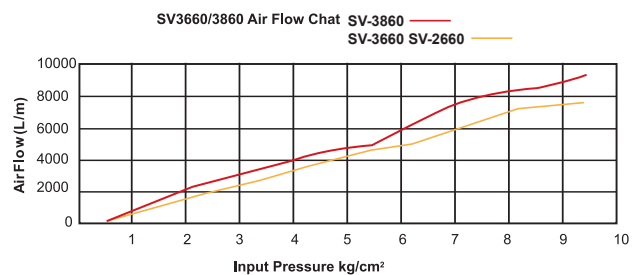
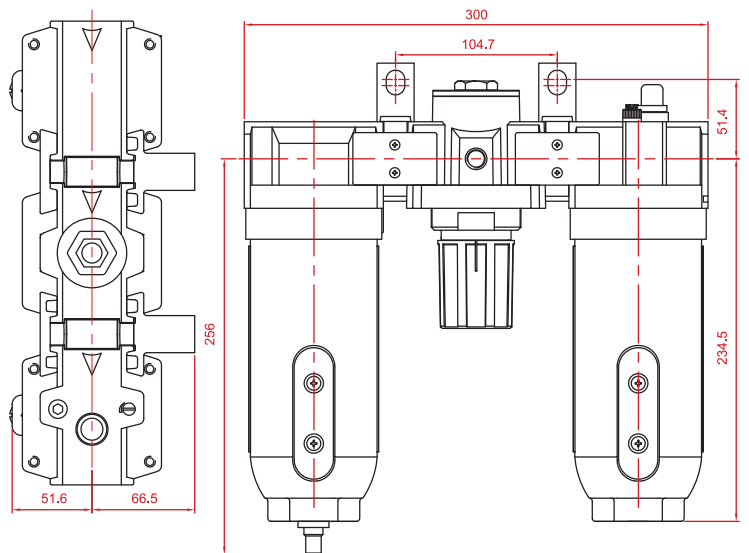
## SV-1860

FILTER,REGULATOR  
Air inlet : 1"



## SV-3660/3860

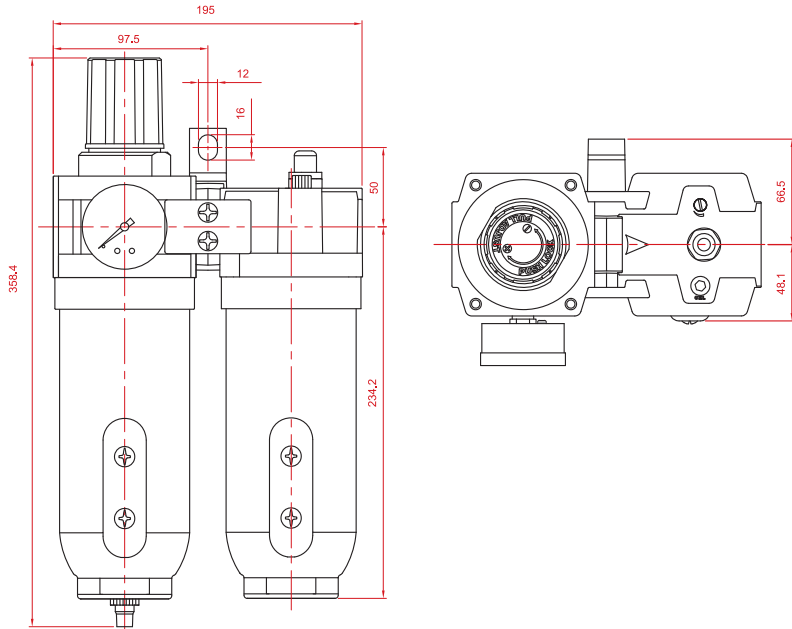
FILTER,REGULATOR,LUBRICATOR  
Air inlet : 3/4" / 1"



# SV-2660/2860

FILTER,REGULATOR,LUBRICATOR

Air inlet : 3/4" / 1"




## SW-12(1/4")

## SW-13(3/8")

Mini Lubricator

- Install in the air hose to provide automatic lubrication.
- 8c.c. Lubricating oil capacity.



|              | Air in / outlet<br>inch | Max Input Pressure<br>PSI | Max Output Pressure<br>PSI | Max.Flow<br>L/min | Working Temperature<br>°C | Drain Capacity<br>ml | Oil Capacity<br>ml | Filter Element<br>μ (micro)   |
|--------------|-------------------------|---------------------------|----------------------------|-------------------|---------------------------|----------------------|--------------------|---|
|              | —                       | —                         | —                          | —                 | Working                   | —                    | —                  |  |
| SV-1660      | 3/4"                    | 250                       | 225                        | 4600              | 5~60°                     | 300                  | ----               | 5μ  |
| SV-1860      | 1"                      | 250                       | 225                        | 5200              | 5~60°                     | 300                  | ----               | 5μ  |
| SV-2660/2860 | 3/4" / 1"               | 250                       | 225                        | 4600 /5200        | 5~60°                     | 300                  | 300                | 5μ  |
| SV-3660/3860 | 3/4" / 1"               | 250                       | 225                        | 4600 /5200        | 5~60°                     | 300                  | 350                | 5μ  |

# AIR HOSE REEL

## SA-2015

### AIR HOSE REEL

- "Commercial grade auto-rewind air hose reels have features like steel construction, heavy-duty hoses, Durable spring-powered recoil and 16 teeth gear to ensure repeated use and reliability."

**Case Material :** Steel

Air inlet : 1/4" - Male



## SA-3215 SA-3315

### AIR HOSE REEL

**Case Material :** Shock-proof plastic

Air inlet : 1/4" - Male



## SA-4320

### AIR HOSE REEL

**Case Material :** Steel

Air inlet : 3/8" - Male



## SA-4420

### AIR HOSE REEL

**Rack Material :** Steel

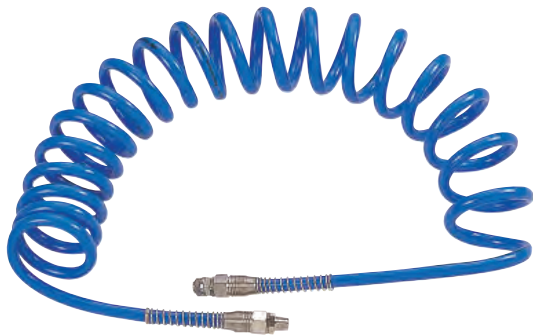
Air inlet : 1/2" - Male



## SD-23/SD-24

### POLYURETHANE RECOIL AIR-HOSE

- Spring guards protects both ends of the hose. Both ends have male 360° swivel fittings.
- Temperature resistance from -20° C ~ +70° C.



## SD-22

### 8 X 12 AIR HOSE

24 braids covered PU tube brings the anti-explosion capability up to 350 psi.

Spring guards protects both ends of the hose. Both ends have male 360° swivel fittings.

Temperature resistance from -20° C ~ +70° C.



|          | Hose Inside Diameter<br>mm | Hose outside Diameter<br>mm | Hose Length<br>M | Working Pressure<br>PSI(bar) | Maximum Pressure<br>PSI(bar) | Male PT Fitting<br>inch | Weight<br>kg |
|----------|----------------------------|-----------------------------|------------------|------------------------------|------------------------------|-------------------------|--------------|
| SA-2015  | 8.0                        | 12.0                        | 15               | 101.5 (7.0)                  | 284.4(17.8)                  | 1/4"                    | 6.2          |
| SA-3215  | 8.0                        | 12.0                        | 15               | 90 (6.3)                     | 300(20.7)                    | 1/4"                    | 5.0          |
| SA-3315  | 10.0                       | 15.0                        | 15               | 90 (6.3)                     | 300(20.7)                    | 3/8"                    | 6.0          |
| SA-4320  | 10.0                       | 18.0                        | 20               | 90 (6.3)                     | 300(20.7)                    | 3/8"                    | 24.0         |
| SA-4420  | 13.0                       | 23.0                        | 20               | 90 (6.3)                     | 300(20.7)                    | 1/2"                    | 29.0         |
| SD-22107 | 8.0                        | 12.0                        | 7.5              | 101.5 (7.0)                  | 284.4(17.8)                  | 1/4"                    | 0.8          |
| SD-22115 | 8.0                        | 12.0                        | 15               | 101.5 (7.0)                  | 284.4(17.8)                  | 1/4"                    | 1.4          |
| SD-22130 | 8.0                        | 12.0                        | 30               | 101.5 (7.0)                  | 284.4(17.8)                  | 1/4"                    | 2.6          |
| SD-23110 | 8.0                        | 12.0                        | 10               | 101.5 (7.0)                  | 284.4(17.8)                  | 1/4"                    | 0.8          |
| SD-23115 | 8.0                        | 12.0                        | 15               | 101.5 (7.0)                  | 284.4(17.8)                  | 1/4"                    | 1.2          |
| SD-23210 | 5.0                        | 8.0                         | 10               | 101.5 (7.0)                  | 284.4(17.8)                  | 1/4"                    | 0.4          |
| SD-23215 | 5.0                        | 8.0                         | 15               | 101.5 (7.0)                  | 284.4(17.8)                  | 1/4"                    | 0.6          |
| SD-23315 | 10                         | 15.0                        | 15               | 101.5 (7.0)                  | 284.4(17.8)                  | 3/8"                    | 1.9          |
| SD-24415 | 13                         | 18.0                        | 15               | 101.5 (7.0)                  | 284.4(17.8)                  | 1/2"                    | 2.1          |



# WORKING CHAIR

WORKING  
CHAIR



## QP-123QP

- Air Pistol Sander, 3" Pad Dia
- 1/4" Air Adaptor Couplings Male Thread Type
- QP-113 :Air Pistol Sander, 3" Pad Dia
- 3" Sponge (Rough) & 3" Sponge (Medium)
- QP-123 :Air Pistol Polisher, 3" Pad Dia



# ST-10C521 ST-10C522S

## mobile working chair

- Color: red/black anti scratch paint
- Seat cushion materials: high graded artificial PVC leather with sponge
- Product sizes: long 350mm width 260mm height 240mm, excl. wheels Drawer height: 70mm
- Product feature: storage daily needed tools reduce squatting fatigue, movable willingly



ST-10C522  
1 Drawer Design



ST-10C521



# ST-11B7

|         | LENGTH (MM) | WIDTH (MM) | HEIGHT (MM) | QTY |
|---------|-------------|------------|-------------|-----|
| CABINET | 680         | 460        | 830         |     |
| DRAWER  | 580         | 406        | 70          |     |
|         | 580         | 406        | 145         |     |

**CORDLESS TOOLS**

# **CORDLESS TOOLS**



# DJS-25502A

## 20V Jig Saw

### Key Spec:

- Stroke Length: 25mm (1inch)
- No Load Speed: 0-2200
- Variable Speed
- Keyless Accessory Change
- LED Light
- Accessories: 5.0Ah battery x 2pcs; charger x 1pc
- Packaging: BMC

## FEATURES

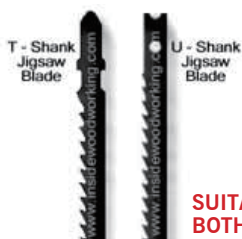
1. Variable speed trigger for precision speed and control.
2. Electric brake quickly stops the blade motion.
3. 4-Position orbital action for cutting versatility in a variety of materials.
4. Adjustable shoe bevels from 0 - 45 degrees (left/right).
5. Tool-less blade change allows for fast blade changes; accepts "T" and "U" shank Jigsaw blades.
6. LED work light.

### SPEC

VARIABLE SPEEDS 0-2,200 SPM( No-load)  
STROKE LENGTH 1"

### CUTTING CAPACITY:

2-1/2" (Wood);3/8" (Aluminum);1/4" (Steel)



SUITABLE FOR  
BOTH T&U SHANK



# DG-585502A

## 5" Angle Grinder

### Key Spec:

- Power: 20V
- No Load Speed: 8000RPM
- Cutting Disk: 125mm (NOT INCLUDED)
- Spindle thread: M14

### Accessories:

- 5.0Ah battery x 2pcs
- Charger x 1pc
- Guard spanner x 1pc
- Aux handle x 1pc
- Packaging: color box charger x 1pc
- Packaging: color box

## FEATURES

1. Tool-less adjustable guard for quick and easy adjustments.
2. Spindle lock for quick and easy disc changes.
3. 2-Position handle.
4. Lock-on switch for continuous operation





## BRUSHLESS DD-20502

20V BL Motor Drill Driver

Key Spec:

- Speed: 0-450RPM/0-1750RPM
- Setting: 23+1
- Max Torque: 68N.m
- Chuck Size: 1/2"
- Accessory: 2pcs 5.0Ah Li-ion battery+ 1pc charger +2pcs bits
- Package: BMC

## FEATURES

1. Jacobs® 1/2" Ratcheting , single-sleeve keyless metal chuck.
2. LED work light on the foot with after-glow.
3. Brushless motor technology delivers longer motor life, more power and more run-time.
4. Removable bit holder and belt clip.
5. Electric brake quickly stops the chuck rotation.
6. Removable bit holder and belt clip.



# DS-10202

## Cordless Impact Driver

- + Max. torque 100 NM
- + Quick charge-up in 30 minutes
- + Battery x 2pcs included for a longer period of usage
- + LED lamp to light up the working area
- + Battery applicable to all m7 12V cordless models.



### Cordless tools

# DW-18502 [ KIT ]

## Cordless Impact Wrench

### CONTENTS

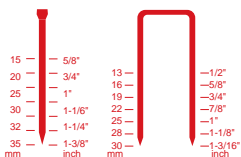
- 2pcs 20V 5.0 Ah Lithium-ion
- 1pc Lithium-ion Battery Charger
- + Max. torque 1220 NM / 900 FT-LB
- + Quick charge-up in 60 minutes
- + 5.0 Ah battery x 2 pcs included for a longer period of usage.
- + LED lamp to light up the working area
- + Battery level LED indicator
- + Braking function not to damage the screwed object.f



# DJ-1835

## Cordless Nailer gun

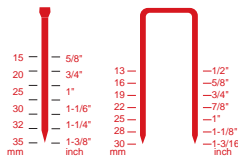
- + housing : Nylon/Glass Fiber w/soft grip
- + Trigger Switch : Two-finger w/soft padding
- + Rated Voltage : 110-120V / 220-240V
- + DC:18V 2.0Ah Li-ion
- + Max Firing speed :30 shots/min



# AJ-1835

## Electric Nailer gun

- + housing : Nylon/Glass Fiber w/soft grip
- + Trigger Switch : Two-finger w/soft padding
- + Rated Voltage : 220v-240v
- + Max Firing speed :30 shots/min



|         | Nail Type | Crown | Shank<br>Thickness / width | Length | Gauge | Dimensions<br>(mm)(HxWxL) | Load Capacity<br>(pcs) | Weight<br>(kg) |
|---------|-----------|-------|----------------------------|--------|-------|---------------------------|------------------------|----------------|
| AJ-1835 | Brad      | ----  | 1.0/1.25                   | 15~35  | 18    | 231 x 68 x 272            | 100                    | 1.9            |
|         | Staple    | 5.8   | 1.0/1.25                   | 13~30  | 18    |                           |                        |                |
| DJ-1835 | Brad      | ----  | 1.0/1.25                   | 15~35  | 18    | 265 x 82 x 245            | 100                    | 3.3            |
|         | Staple    | 5.8   | 1.0/1.25                   | 13~30  | 18    |                           |                        |                |

|         | Chuck size  | Max. drill capacity | Bolt capacity | Battery   | Max. torque | No load speed | Impact rate | Torque setting | Weight |
|---------|-------------|---------------------|---------------|-----------|-------------|---------------|-------------|----------------|--------|
|         | inch / mm   | mm(steel / wood)    | ----          | Li-ion Ah | Nm          | rpm           | bpm         | ----           | kg     |
| DW18502 | 1/2" / 12.7 | ----                | M6 ~ M24      | 5.0       | 1220        | 0~1900        | 0~2200      | -----          | 3.2    |
| DS10202 | 1/4" / 6.00 | ----                | M4 ~ M12      | 2.0       | 100         | 0~2200        | 0~3000      | -----          | 1.0    |

# TORQUE WRENCH

TORQUE WRENCH

## ★★★ TE-442210 TE-205025N / 225250N TE-305025N / 320110N TE-428210N / 450350N

1/2" 3/8" 1/4" Torque Wrench, 42-210Nm, Engrave Nm / ft-lb scale  
Accuracy of torque +/- 4% ; Quality meets DIN ISO 6789 & ASME B107.300-2010

12 pieces in one carton



## ★★★ ADJUSTABLE TORQUE WRENCH BACK TUNING TYPE

1/2" TORQUE WRENCH, Window display. Nm / ft-lb scale, Back Tuning  
TW-402102N / TW-404202N / TW-406302N / TW-408402N

3/4" TORQUE WRENCH, Window display. Nm / ft-lb scale, Back Tuning  
TW-611552N / TW-615752N  
Accuracy of torque +/- 4% DIN ISO-6789 AMSE B107.14-2004

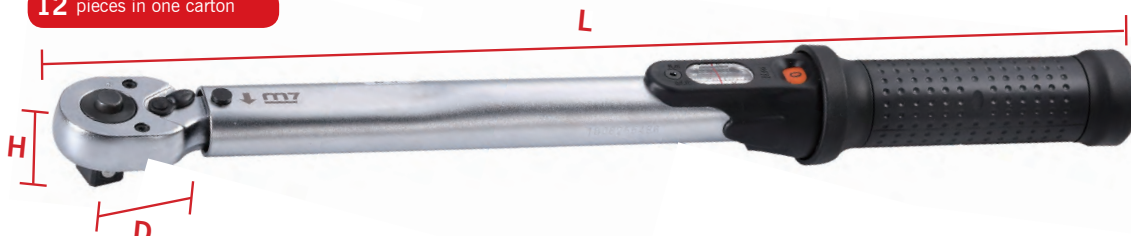
10 pieces in one carton



## ★★★ TW-411102 TW-412202

1/2" TORQUE WRENCH, Window display. Nm / ft-lb scale, Back Tuning

12 pieces in one carton



## ★★★ TW-210222

1/4" Torque Wrench, Window display. Nm / ft-lb scale, Back Tuning

24 pieces in one carton



# ☆☆ TW-310552

3/8" Torque Wrench, Window display. Nm / ft-lb scale, Back Tuning

24 pieces in one carton



# ☆☆ TW-611602 TW-611802 TW-612102

3/4" Torque Wrench, Window display. Nm / ft-lb scale, Back Tuning

2 pieces in one carton



|            | Drive | Torque Range<br>(Nm) | Torque Range<br>(ft-lb) | Indicator        | Torque<br>Adjusting | D<br>mm | H<br>mm | L<br>mm | Weight<br>kg |
|------------|-------|----------------------|-------------------------|------------------|---------------------|---------|---------|---------|--------------|
| TE-205025N | 1/4"  | 5-25                 | 3.69-18.4               | Engrave          | Rotating            | 32      | 31.8    | 275     | 0.59         |
| TE-225250N | 1/4"  | 2.8-28.2             | 2-20                    | Engrave          | Rotating            | 32      | 31.8    | 275     | 0.59         |
| TE-305025N | 3/8"  | 5-25                 | 3.69-18.                | Engrave          | Rotating            | 32      | 31.8    | 370     | 0.83         |
| TE-320110N | 3/8"  | 20-110               | 14.8-81.1               | Engrave          | Rotating            | 32      | 31.8    | 370     | 0.83         |
| TE-442210  | 1/2"  | 42-210               | 30.6-155                | Engrave          | Rotating            | 46.3    | 33      | 450     | 1.32         |
| TE-428210N | 1/2"  | 28-210               | 20.7-154.9              | Engrave          | Rotating            | 46.3    | 33      | 570     | 1.65         |
| TE-450350N | 1/2"  | 50-350               | 36.9-258.1              | Engrave          | Rotating            | 46.3    | 33      | 450     | 1.31         |
| TW-210222  | 1/4"  | 2-25                 | 1.5 - 18                | Magnifying glass | Back Tuning         | 40.5    | 40      | 296     | 0.41         |
| TW-310552  | 3/8"  | 5 - 50               | 3.5 - 37                | Magnifying glass | Back Tuning         | 40.5    | 40      | 333     | 0.47         |
| TW-411102  | 1/2"  | 10-100               | 8-75                    | Magnifying glass | Back Tuning         | 40.5    | 40      | 400     | 0.82         |
| TW-412202  | 1/2"  | 20-200               | 10-150                  | Magnifying glass | Back Tuning         | 40.5    | 40      | 500     | 1.3          |
| TW-402102  | 1/2"  | 20-100               | 15-75                   | Magnifying glass | Back Tuning         | 40.5    | 40      | 405     | 1.02         |
| TW-404202  | 1/2"  | 40-200               | 30-150                  | Magnifying glass | Back Tuning         | 40.5    | 40      | 500     | 1.20         |
| TW-406302  | 1/2"  | 60-300               | 45-200                  | Magnifying glass | Back Tuning         | 40.5    | 40      | 595     | 1.33         |
| TW-408402  | 1/2"  | 80-400               | 60-300                  | Magnifying glass | Back Tuning         | 40.5    | 40      | 680     | 1.82         |
| TW-611552  | 3/4"  | 110-550              | 75-405                  | Magnifying glass | Back Tuning         | 63.0    | 58      | 970     | 3.70         |
| TW-615752  | 3/4"  | 150-750              | 112.5-555               | Magnifying glass | Back Tuning         | 63.0    | 58      | 1150    | 5.60         |
| TW-611602  | 3/4"  | 100 - 600            | 75 - 440                | Magnifying glass | Back Tuning         | 63      | 58.5    | 1040    | 4.65         |
| TW-611802  | 3/4"  | 150 - 800            | 110 - 590               | Magnifying glass | Back Tuning         | 63      | 58.5    | 1240    | 5.45         |
| TW-612102  | 3/4"  | 200 - 1000           | 150 - 740               | Magnifying glass | Back Tuning         | 63      | 58.5    | 1240    | 5.45         |



**IMPACT SOCKET**

# **IMPACT SOCKET**

## MB34012S

12PCS 3/8" Drive Impact Socket Set

12 sets in one carton

Contents :5/16",3/8",7/16",1/2",9/16",5/8",11/16",3/4",13/16",7/8",15/16",1"



## MB35013M

13PCS 3/8" Drive Deep Impact Socket Set

8 sets in one carton

Contents :6mm,8mm,9mm,10mm,11mm,12mm,13 mm,14mm,15mm,16mm,17mm,18mm,19mm



## MB34013M

13PCS 3/8" Drive Impact Socket Set

12 sets in one carton

Contents :6mm,8mm,9mm,10mm,11mm,12mm,13mm,14mm,15mm,16mm,17mm,18mm,19mm



## MB43015M

15PCS 1/2" Drive Deep Impact Socket Set

6 sets in one carton

Contents : 10mm 11mm 12mm 13mm 14mm 15mm 16mm 17mm 19mm 21mm 22mm 24mm 27mm 30mm 32mm



## MB44013S

13PCS 1/2" Drive Impact Socket Set

6 sets in one carton

Contents :7/16",1/2",9/16",5/8",11/16",3/4",13/16",7/8",15/16",1",1-1/16", 1-1/8" 1-1/4"



## MB35012S

12PCS 3/8" Drive Deep Impact Socket Set

8 sets in one carton

Contents :5/16",3/8",7/16",1/2",9/16",5/8",11/16",3/4",13/16",7/8",15/16",1"



## MB44014M

14PCS 1/2" Drive Impact Socket Set

8 sets in one carton

Contents :10mm,11mm,12mm,13mm,14mm,15mm,16 mm, 17mm,18mm,19mm,21mm,22mm,26mm,27mm



# IMPACT SOCKET

IMPACT  
SOCKET

## MB45010M

10PCS 1/2" Drive Deep Impact Socket Set

6 sets in one carton

Contents : 10mm, 12mm, 13mm, 14mm, 15mm, 17mm, 19mm, 21mm, 24mm, 27mm



## MB45013S

13PCS 1/2" Drive Deep Impact Socket Set

4 sets in one carton

Contents : 7/16", 1/2", 9/16", 5/8", 11/16", 3/4", 13/16", 7/8", 15/16", 1", 1-1/16", 1-1/8", 1-1/4"



## MB45014M

14PCS 1/2" Drive Deep Impact Socket Set

4 sets in one carton

Contents : 10mm, 11mm, 12mm, 13mm, 14mm, 15mm, 16mm, 17mm, 18mm, 19mm, 21mm, 22mm, 26mm, 27mm



## MB64008M

14PCS 3/4" Drive Impact Socket Set

4 sets in one carton

Contents : 26mm, 27mm, 29mm, 30mm, 32mm, 33mm, 35mm, 36mm



## MB64008S

8PCS 3/4" Drive Impact Socket Set

4 sets in one carton

Contents : 1", 1-5/16", 1-1/16", 1-3/8", 1-1/8", 1-7/16", 1-1/4", 1-1/2"



## MB64008SP

8PCS 3/4" Drive Impact Socket Set

4 sets in one carton

Contents : 3/4", 7/8", 15/16", 1-1/16", 1-3/16", 1-1/4", 1-7/16", 1-1/2"



## MB-65008S

8PCS 3/4" DRIVE DEEP IMPACT SOCKET SET

2 sets in one carton

Contents : 1", 1-1/16", 1-1/8", 1-1/4", 1-5/16", 1-3/8", 1-7/16", 1-1/2"



## MB-65008M

8PCS 3/4" DRIVE DEEP IMPACT SOCKET SET

4 sets in one carton

Contents : 26mm, 27mm, 29mm, 30mm, 32mm, 33mm, 35mm, 36mm



## MB-44008S

8PCS 1/2" DRIVE SAE IMPACT HEX DRIVE SET(LENGTH 78mm)

12 sets in one carton

Contents : 1/4", 5/16", 3/8", 7/16", 1/2", 9/16", 5/8", 3/4"



## MB-65008S1

8PCS 3/4" DRIVE DEEP IMPACT SOCKET SET

2 sets in one carton

Contents : 3/4", 7/8", 15/16", 1", 1-1/16", 1-1/18", 1-3/16", 1-1/4"



## MB-44008M

1/2" DRIVE SAE IMPACT HEX DRIVE SET

12 sets in one carton

Contents : H6, H7, H8, H10, H12, H14, H17, H19



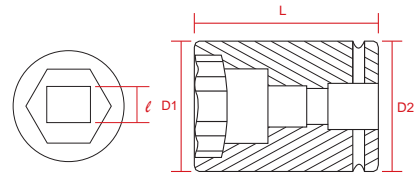
# IMPACT SOCKET

IMPACT SOCKET

## MA-8050

5 PCS 1" Dr. COMBINATION BUDD WHEEL IMPACT SOCKET SET

4 sets in one carton



| M7 NO.     |        | D1  | D2  | l      | L   |      |     |  |
|------------|--------|-----|-----|--------|-----|------|-----|--|
|            | mm     | mm  | mm  | mm     | mm  | g    |     |  |
| MA812S4826 | 1-1/2" | 57  | 57  | 13/16" | 99  | 1.34 | 1/1 |  |
| MA812M3517 | 35     | 52  | 54  | 17     | 94  | 1.10 | 1/1 |  |
| MA812M3820 | 38     | 54  | 56  | 20     | 96  | 1.18 | 1/1 |  |
| MA812M4121 | 41     | 54  | 58  | 21     | 99  | 1.19 | 1/1 |  |
| MA831M33L  | 33     | 52  | 52  |        | 90  | 1.01 | 1/1 |  |
| MA8050     | ---    | --- | --- | ---    | --- | 6.20 | 1/4 |  |

## MA-4030

3 PCS 1/2" DR. DEEP IMPACT SOCKET SET

24 sets in one carton

- Contents : 17mm, 19mm, 21mm By identifying the different color coated, the operator can easily pick up the size needed.
- With the external sheath, the working object can be well protected from being rubbed, scratched, impacted...etc.
- With the 85mm extra long socket, to loosen or tighten bolt or nut in deeper hole become easier and convenient.

**Note:** Impact socket for aluminum rim wheel nuts, with polymeric material insets.



## MA-4031 M85

3 PCS 1/2" DR. DEEP THIN WALL IMPACT SOCKET SET

20 sets in one carton

**STRENGTHEN STEEL SLEEVE**

3PCS 17mm.19mm.21mm



## MA-42015

15pcs 1/2" Driver Stubby Metric Size impact Socket SET

12 sets in one carton



| M7 NO.   |    | D1 | D2 | T  | L  |    |       |  |
|----------|----|----|----|----|----|----|-------|--|
|          | mm | mm | mm | mm | mm | g  |       |  |
| MA401M10 | 10 | 18 | 25 | 5  | 28 | 50 | 15/10 |  |
| MA401M11 | 11 | 18 | 25 | 5  | 28 | 50 | 15/10 |  |
| MA401M12 | 12 | 19 | 25 | 5  | 28 | 50 | 15/10 |  |
| MA401M13 | 13 | 20 | 25 | 5  | 28 | 52 | 15/10 |  |
| MA401M14 | 14 | 22 | 25 | 5  | 28 | 53 | 15/10 |  |
| MA401M15 | 15 | 23 | 25 | 5  | 28 | 55 | 15/10 |  |
| MA401M16 | 16 | 25 | 25 | 8  | 28 | 62 | 15/10 |  |
| MA401M17 | 17 | 26 | 26 | 8  | 28 | 67 | 15/10 |  |

| M7 NO.   |    | D1 | D2 | T  | L  |     |       |  |
|----------|----|----|----|----|----|-----|-------|--|
|          | mm | mm | mm | mm | mm | g   |       |  |
| MA401M18 | 18 | 28 | 28 | 8  | 28 | 82  | 15/10 |  |
| MA401M19 | 19 | 28 | 28 | 9  | 28 | 75  | 15/10 |  |
| MA401M20 | 20 | 30 | 30 | 9  | 28 | 90  | 15/10 |  |
| MA401M21 | 21 | 30 | 30 | 9  | 28 | 86  | 15/10 |  |
| MA401M22 | 22 | 32 | 30 | 9  | 28 | 94  | 15/10 |  |
| MA401M23 | 23 | 34 | 30 | 9  | 28 | 102 | 15/10 |  |
| MA401M24 | 24 | 34 | 30 | 9  | 28 | 98  | 15/10 |  |

**PROVIDE FULL RANGE  
ALL SERIES HANG TAG.**

**IMPACT SOCKET**



**MALE ADAPTER**



**IMPACT DEEP SOCKET**



**UNIVERSAL JOINT**



**IMPACT HEX BIT**



**EXTENSION BAR**



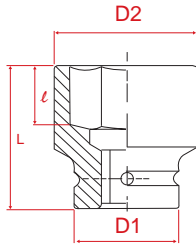
# IMPACT SOCKET

IMPACT SOCKET

## 1/4"MA211M

### Impact Standard Socket

- 1/4" drive standard Length
- 6 points
- Metric size

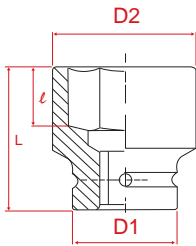


| M7 NO.   | ⊘  | D1   | D2   | l  | L  | ⚖  | 📦  |
|----------|----|------|------|----|----|----|----|
|          | mm | mm   | mm   | mm | mm | g  |    |
| MA211M04 | 4  | 13.0 | 7.5  | 5  | 23 | 16 | 10 |
| MA211M05 | 5  | 13.0 | 8.7  | 6  | 23 | 16 | 10 |
| MA211M06 | 6  | 13.0 | 9.9  | 8  | 23 | 15 | 10 |
| MA211M07 | 7  | 13.0 | 11.1 | 8  | 23 | 14 | 10 |
| MA211M08 | 8  | 13.0 | 12.3 | 8  | 23 | 14 | 10 |
| MA211M09 | 9  | 13.0 | 13.8 | 8  | 23 | 14 | 10 |
| MA211M10 | 10 | 13.0 | 14.5 | 8  | 23 | 15 | 10 |
| MA211M11 | 11 | 13.0 | 16.0 | 8  | 23 | 17 | 10 |
| MA211M12 | 12 | 13.0 | 17.0 | 8  | 23 | 17 | 10 |
| MA211M13 | 13 | 13.0 | 18.8 | 8  | 23 | 20 | 10 |
| MA211M14 | 14 | 13.0 | 20.0 | 8  | 23 | 21 | 10 |

## 1/4"MA211S

### Impact Standard Socket

- 1/4" drive standard Length
- 6 points
- Inch size

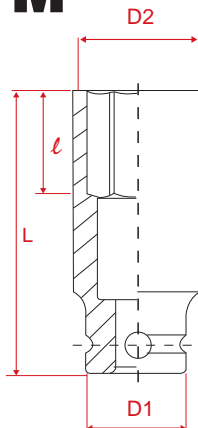


| M7 NO.   | ⊘      | D1   | D2   | l  | L  | ⚖  | 📦  |
|----------|--------|------|------|----|----|----|----|
|          | mm     | mm   | mm   | mm | mm | g  |    |
| MA211S06 | 3/16"  | 13.0 | 8.4  | 6  | 23 | 15 | 10 |
| MA211S07 | 7/32"  | 13.0 | 9.4  | 6  | 23 | 16 | 10 |
| MA211S08 | 1/4"   | 13.0 | 10.3 | 8  | 23 | 15 | 10 |
| MA211S09 | 9/32"  | 13.0 | 11.3 | 8  | 23 | 15 | 10 |
| MA211S10 | 5/16"  | 13.0 | 12.3 | 8  | 23 | 14 | 10 |
| MA211S11 | 11/32" | 13.0 | 13.8 | 8  | 23 | 14 | 10 |
| MA211S12 | 3/8"   | 13.0 | 14.5 | 8  | 23 | 15 | 10 |
| MA211S14 | 7/16"  | 13.0 | 16.0 | 8  | 23 | 16 | 10 |
| MA211S16 | 1/2"   | 13.0 | 18.8 | 8  | 23 | 19 | 10 |
| MA211S18 | 9/16"  | 13.0 | 19.8 | 8  | 23 | 21 | 10 |

## 1/4"MA231M

### Impact Deep Socket

- 1/4" drive Deep Length
- 6 points
- Metric size

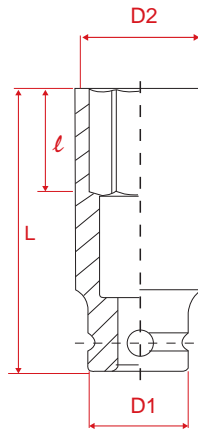


| M7 NO.   | ⊘  | D1   | D2   | l  | L  | ⚖  | 📦  |
|----------|----|------|------|----|----|----|----|
|          | mm | mm   | mm   | mm | mm | g  |    |
| MA231M04 | 4  | 13.0 | 7.5  | 7  | 50 | 28 | 10 |
| MA231M05 | 5  | 13.0 | 8.7  | 9  | 50 | 29 | 10 |
| MA231M06 | 6  | 13.0 | 9.9  | 11 | 50 | 31 | 10 |
| MA231M07 | 7  | 13.0 | 11.1 | 11 | 50 | 31 | 10 |
| MA231M08 | 8  | 13.0 | 12.3 | 13 | 50 | 31 | 10 |
| MA231M09 | 9  | 13.0 | 13.8 | 13 | 50 | 37 | 10 |
| MA231M10 | 10 | 13.0 | 14.5 | 13 | 50 | 37 | 10 |
| MA231M11 | 11 | 13.0 | 16.0 | 13 | 50 | 41 | 10 |
| MA231M12 | 12 | 13.0 | 17.0 | 13 | 50 | 43 | 10 |
| MA231M13 | 13 | 13.0 | 18.8 | 13 | 50 | 58 | 10 |
| MA231M14 | 14 | 13.0 | 20.0 | 13 | 50 | 60 | 10 |

# 1/4"MA231S

## Impact Deep Socket

- 1/4" drive Deep Length
- 6 points
- Inch size

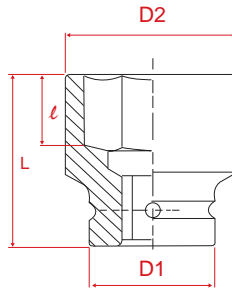


| M7 NO.    | ⊙      | D1   | D2   | l  | L  | ⚖  | 📦  |
|-----------|--------|------|------|----|----|----|----|
|           | mm     | mm   | mm   | mm | mm | g  |    |
| MA231S06L | 3/16"  | 13.0 | 8.4  | 9  | 50 | 29 | 10 |
| MA231S07L | 7/32"  | 13.0 | 9.4  | 9  | 50 | 30 | 10 |
| MA231S08L | 1/4"   | 13.0 | 10.3 | 11 | 50 | 31 | 10 |
| MA231S09L | 9/32"  | 13.0 | 11.3 | 11 | 50 | 32 | 10 |
| MA231S10L | 5/16"  | 13.0 | 12.3 | 13 | 50 | 32 | 10 |
| MA231S11L | 11/32" | 13.0 | 13.8 | 13 | 50 | 37 | 10 |
| MA231S12L | 3/8"   | 13.0 | 14.5 | 13 | 50 | 41 | 10 |
| MA231S14L | 7/16"  | 13.0 | 16.0 | 13 | 50 | 41 | 10 |
| MA231S16L | 1/2"   | 13.0 | 18.8 | 13 | 50 | 56 | 10 |
| MA231S18L | 9/16"  | 13.0 | 19.8 | 13 | 50 | 61 | 10 |

# 3/8"MA311M

## Impact Standard Socket

- 3/8" drive standard Length
- 6 points
- Metric size

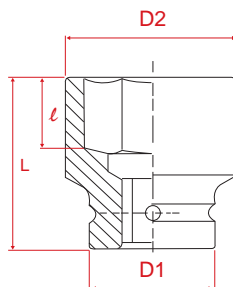


| M7 NO.   | ⊙  | D1   | D2   | l  | L    | ⚖  | 📦  |
|----------|----|------|------|----|------|----|----|
|          | mm | mm   | mm   | mm | mm   | g  |    |
| MA311M06 | 6  | 19.0 | 10.0 | 9  | 29.5 | 31 | 10 |
| MA311M07 | 7  | 19.0 | 11.4 | 9  | 29.5 | 31 | 10 |
| MA311M08 | 8  | 19.0 | 12.7 | 9  | 29.5 | 31 | 10 |
| MA311M09 | 9  | 19.0 | 14.0 | 10 | 29.5 | 33 | 10 |
| MA311M10 | 10 | 19.0 | 15.2 | 10 | 29.5 | 33 | 10 |
| MA311M11 | 11 | 19.0 | 17.0 | 11 | 29.5 | 34 | 10 |
| MA311M12 | 12 | 19.0 | 18.0 | 11 | 29.5 | 35 | 10 |
| MA311M13 | 13 | 19.0 | 19.0 | 11 | 29.5 | 36 | 10 |
| MA311M14 | 14 | 19.0 | 20.0 | 11 | 29.5 | 37 | 10 |
| MA311M15 | 15 | 19.0 | 21.9 | 13 | 29.5 | 42 | 10 |
| MA311M16 | 16 | 22.0 | 23.5 | 13 | 30.0 | 57 | 10 |
| MA311M17 | 17 | 22.0 | 25.0 | 13 | 30.0 | 59 | 10 |
| MA311M18 | 18 | 22.0 | 26.0 | 13 | 30.0 | 61 | 10 |
| MA311M19 | 19 | 22.0 | 27.0 | 15 | 30.0 | 63 | 10 |
| MA311M20 | 20 | 22.0 | 28.0 | 15 | 30.0 | 79 | 10 |
| MA311M21 | 21 | 22.0 | 30.0 | 15 | 30.0 | 79 | 10 |
| MA311M22 | 22 | 22.0 | 32.0 | 15 | 30.0 | 98 | 10 |
| MA311M23 | 23 | 22.0 | 33.0 | 15 | 30.0 | 98 | 10 |
| MA311M24 | 24 | 22.0 | 34.0 | 15 | 30.0 | 98 | 10 |

# 3/8"MA311S

## Impact Standard Socket

- 3/8" drive standard Length
- 6 points
- Inch size



| M7 NO.   | ⊙      | D1   | D2   | l    | L    | ⚖   | 📦  |
|----------|--------|------|------|------|------|-----|----|
|          | mm     | mm   | mm   | mm   | mm   | g   |    |
| MA311S10 | 5/16"  | 19.0 | 12.6 | 9.0  | 29.5 | 31  | 10 |
| MA311S12 | 3/8"   | 19.0 | 14.6 | 10.0 | 29.5 | 33  | 10 |
| MA311S14 | 7/16"  | 19.0 | 17.1 | 11.0 | 29.5 | 33  | 10 |
| MA311S16 | 1/2"   | 19.0 | 19.0 | 11.0 | 29.5 | 37  | 10 |
| MA311S18 | 9/16"  | 19.0 | 20.0 | 11.0 | 29.5 | 39  | 10 |
| MA311S20 | 5/8"   | 22.0 | 23.5 | 13.0 | 30.0 | 54  | 10 |
| MA311S22 | 11/16" | 22.0 | 25.0 | 13.0 | 30.0 | 56  | 10 |
| MA311S24 | 3/4"   | 22.0 | 27.0 | 15.0 | 30.0 | 63  | 10 |
| MA311S26 | 13/16" | 22.0 | 30.0 | 15.0 | 30.0 | 79  | 10 |
| MA311S28 | 7/8"   | 22.0 | 32.0 | 15.0 | 30.0 | 87  | 10 |
| MA311S30 | 15/16" | 22.0 | 34.0 | 15.0 | 30.0 | 98  | 10 |
| MA311S32 | 1"     | 22.0 | 36.0 | 15.0 | 30.0 | 100 | 10 |



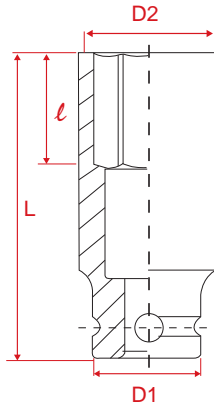
# IMPACT SOCKET

IMPACT SOCKET

## 3/8"MA331M

Impact Deep Socket

- 3/8" drive Deep Length
- 6 points
- Metric size

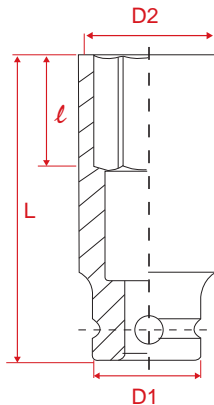


| M7 NO.   | ⊙  | D1   | D2   | l  | L  | ⚖   | 📦  |
|----------|----|------|------|----|----|-----|----|
|          | mm | mm   | mm   | mm | mm | g   |    |
| MA331M06 | 6  | 19.0 | 10.1 | 14 | 63 | 73  | 10 |
| MA331M07 | 7  | 19.0 | 11.4 | 14 | 63 | 73  | 10 |
| MA331M08 | 8  | 19.0 | 12.7 | 14 | 63 | 73  | 10 |
| MA331M09 | 9  | 19.0 | 14.0 | 14 | 63 | 75  | 10 |
| MA331M10 | 10 | 19.0 | 15.2 | 20 | 63 | 76  | 10 |
| MA331M11 | 11 | 19.0 | 17.0 | 20 | 63 | 81  | 10 |
| MA331M12 | 12 | 19.0 | 18.0 | 22 | 63 | 78  | 10 |
| MA331M13 | 13 | 19.0 | 19.0 | 24 | 63 | 86  | 10 |
| MA331M14 | 14 | 19.0 | 20.0 | 26 | 63 | 93  | 10 |
| MA331M15 | 15 | 19.0 | 22.2 | 27 | 63 | 102 | 10 |
| MA331M16 | 16 | 22.0 | 23.5 | 26 | 63 | 115 | 10 |
| MA331M17 | 17 | 22.0 | 25.0 | 26 | 63 | 127 | 10 |
| MA331M18 | 18 | 22.0 | 26.0 | 26 | 63 | 137 | 10 |
| MA331M19 | 19 | 22.0 | 27.0 | 26 | 63 | 143 | 10 |
| MA331M20 | 20 | 22.0 | 28.0 | 26 | 63 | 143 | 10 |
| MA331M21 | 21 | 22.0 | 30.0 | 26 | 63 | 194 | 10 |
| MA331M22 | 22 | 22.0 | 32.0 | 26 | 63 | 206 | 10 |
| MA331M23 | 23 | 22.0 | 33.0 | 26 | 63 | 206 | 10 |

## 3/8"MA331S

Impact Deep Socket

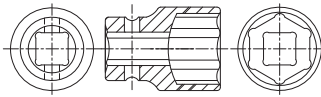
- 3/8" drive Deep Length
- 6 points
- Inch size



| M7 NO.   | ⊙      | D1   | D2   | l  | L  | ⚖   | 📦  |
|----------|--------|------|------|----|----|-----|----|
|          | mm     | mm   | mm   | mm | mm | g   |    |
| MA331S10 | 5/16"  | 19.0 | 12.6 | 14 | 63 | 73  | 10 |
| MA331S12 | 3/8"   | 19.0 | 14.6 | 20 | 63 | 76  | 10 |
| MA331S14 | 7/16"  | 19.0 | 17.1 | 20 | 63 | 81  | 10 |
| MA331S16 | 1/2"   | 19.0 | 19.0 | 24 | 63 | 83  | 10 |
| MA331S18 | 9/16"  | 19.0 | 20.0 | 26 | 63 | 87  | 10 |
| MA331S20 | 5/8"   | 22.0 | 23.5 | 26 | 63 | 111 | 10 |
| MA331S22 | 11/16" | 22.0 | 25.0 | 26 | 63 | 125 | 10 |
| MA331S24 | 3/4"   | 22.0 | 27.0 | 26 | 63 | 142 | 10 |
| MA331S26 | 13/16" | 22.0 | 30.0 | 26 | 63 | 178 | 10 |
| MA331S28 | 7/8"   | 22.0 | 32.0 | 26 | 63 | 188 | 10 |
| MA331S30 | 15/16" | 22.0 | 34.0 | 26 | 63 | 232 | 10 |
| MA331S32 | 1"     | 22.0 | 36.0 | 26 | 63 | 249 | 10 |

## MA42006M

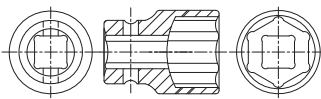
1/2" Drive Stubby Metric Size impact Socket SET



| M7 NO.   | ⊙  | D1 | D2 | l  | L  | ⚖   | 📦    |
|----------|----|----|----|----|----|-----|------|
|          | mm | mm | mm | mm | mm | mm  | g    |
| MA401M13 | 13 | 20 | 25 | 5  | 28 | 54  | 6/40 |
| MA401M17 | 17 | 26 | 26 | 8  | 28 | 70  | 6/40 |
| MA401M19 | 19 | 28 | 28 | 9  | 28 | 80  | 6/40 |
| MA401M21 | 21 | 30 | 30 | 9  | 28 | 90  | 6/40 |
| MA401M22 | 22 | 32 | 30 | 9  | 28 | 100 | 6/40 |
| MA401M24 | 34 | 34 | 30 | 9  | 28 | 110 | 6/40 |

## MA42006S

1/2" Drive Stubby Inch Size impact Socket SET

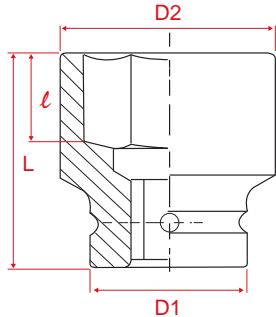


| M7 NO.   | ⊙      | D1 | D2 | l  | L  | ⚖   | 📦    |
|----------|--------|----|----|----|----|-----|------|
|          | mm     | mm | mm | mm | mm | mm  | g    |
| MA401S13 | 1/2"   | 20 | 25 | 5  | 28 | 54  | 6/40 |
| MA401S17 | 9/16"  | 22 | 25 | 5  | 28 | 70  | 6/40 |
| MA401S19 | 5/8"   | 25 | 25 | 8  | 28 | 80  | 6/40 |
| MA401S21 | 11/16" | 26 | 25 | 8  | 28 | 90  | 6/40 |
| MA401S22 | 3/4"   | 28 | 30 | 9  | 28 | 100 | 6/40 |
| MA401S24 | 7/8"   | 32 | 30 | 9  | 28 | 110 | 6/40 |

# 1/2"MA411M

Impact Standard Socket

- 1/2" drive standard Length
- 6 points
- Metric size

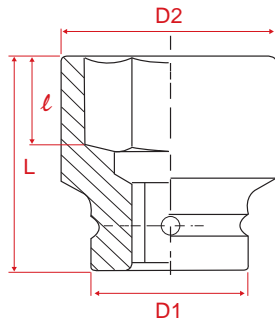


| M7 NO.   | ⊙  | D1   | D2   | l    | L  | ⚖   | 📦  |
|----------|----|------|------|------|----|-----|----|
|          | mm | mm   | mm   | mm   | mm | g   |    |
| MA411M08 | 8  | 24.9 | 14.5 | 9    | 38 | 80  | 10 |
| MA411M09 | 9  | 24.9 | 15.6 | 10   | 38 | 80  | 10 |
| MA411M10 | 10 | 24.9 | 16.7 | 10   | 38 | 71  | 10 |
| MA411M11 | 11 | 24.9 | 18.0 | 10   | 38 | 72  | 10 |
| MA411M12 | 12 | 24.9 | 19.0 | 11   | 38 | 72  | 10 |
| MA411M13 | 13 | 24.9 | 20.2 | 11   | 38 | 74  | 10 |
| MA411M14 | 14 | 24.9 | 21.5 | 11   | 38 | 77  | 10 |
| MA411M15 | 15 | 24.9 | 23.0 | 12   | 38 | 78  | 10 |
| MA411M16 | 16 | 24.9 | 24.9 | 12   | 38 | 82  | 10 |
| MA411M17 | 17 | 25.0 | 25.9 | 13   | 38 | 84  | 10 |
| MA411M18 | 18 | 25.0 | 26.9 | 13   | 38 | 88  | 10 |
| MA411M19 | 19 | 25.0 | 29.9 | 13   | 38 | 88  | 10 |
| MA411M20 | 20 | 25.0 | 29.9 | 13   | 38 | 90  | 10 |
| MA411M21 | 21 | 30.0 | 32.0 | 14.5 | 38 | 93  | 10 |
| MA411M22 | 22 | 30.0 | 32.0 | 14.5 | 38 | 134 | 10 |
| MA411M23 | 23 | 30.0 | 34.0 | 16   | 42 | 138 | 10 |
| MA411M24 | 24 | 30.0 | 36.0 | 17   | 42 | 138 | 10 |
| MA411M25 | 25 | 30.0 | 36.0 | 17   | 42 | 150 | 10 |
| MA411M26 | 26 | 30.0 | 38.0 | 17   | 42 | 158 | 10 |
| MA411M27 | 27 | 30.0 | 40.0 | 19   | 46 | 159 | 10 |
| MA411M30 | 30 | 30.0 | 41.9 | 19   | 46 | 222 | 10 |
| MA411M31 | 31 | 30.0 | 43.9 | 20.5 | 46 | 244 | 10 |
| MA411M32 | 32 | 30.0 | 43.9 | 20.5 | 46 | 238 | 10 |
| MA411M33 | 33 | 35.0 | 45.9 | 22   | 46 | 290 | 10 |
| MA411M34 | 34 | 35.0 | 45.9 | 22   | 46 | 330 | 10 |
| MA411M35 | 35 | 35.0 | 49.9 | 22   | 50 | 357 | 10 |
| MA411M36 | 36 | 35.0 | 49.9 | 22   | 50 | 376 | 10 |
| MA411M37 | 37 | 44.0 | 50.9 | 25   | 50 | 380 | 10 |
| MA411M38 | 38 | 44.0 | 51.9 | 25   | 50 | 390 | 10 |

# 1/2"MA411S

Impact Standard Socket

- 1/2" drive standard Length
- 6 points
- Inch size



| M7 NO.   | ⊙       | D1   | D2   | l    | L  | ⚖   | 📦  |
|----------|---------|------|------|------|----|-----|----|
|          | mm      | mm   | mm   | mm   | mm | g   |    |
| MA411S08 | 1/4"    | 24.9 | 12.5 | 8    | 38 | 70  | 10 |
| MA411S10 | 5/16"   | 24.9 | 14.5 | 8    | 38 | 70  | 10 |
| MA411S12 | 3/8"    | 24.9 | 16.0 | 8    | 38 | 70  | 10 |
| MA411S14 | 7/16"   | 24.9 | 18.0 | 9    | 38 | 72  | 10 |
| MA411S16 | 1/2"    | 24.9 | 20.0 | 11   | 38 | 74  | 10 |
| MA411S18 | 9/16"   | 24.9 | 22.0 | 11   | 38 | 76  | 10 |
| MA411S20 | 5/8"    | 24.9 | 24.9 | 12   | 38 | 81  | 10 |
| MA411S22 | 11/16"  | 25.0 | 26.0 | 12   | 38 | 83  | 10 |
| MA411S24 | 3/4"    | 25.0 | 28.0 | 12   | 38 | 85  | 10 |
| MA411S26 | 13/16"  | 25.0 | 30.0 | 13   | 38 | 94  | 10 |
| MA411S28 | 7/8"    | 30.0 | 32.0 | 13   | 38 | 134 | 10 |
| MA411S30 | 15/16"  | 30.0 | 34.0 | 15   | 38 | 135 | 10 |
| MA411S32 | 1"      | 30.0 | 36.0 | 15   | 38 | 144 | 10 |
| MA411S34 | 1-1/16" | 30.0 | 38.0 | 17   | 40 | 203 | 10 |
| MA411S36 | 1-1/8"  | 30.0 | 40.0 | 18.5 | 40 | 260 | 10 |
| MA411S38 | 1-3/16" | 30.0 | 42.0 | 18.5 | 40 | 280 | 10 |
| MA411S40 | 1-1/4"  | 30.0 | 44.0 | 18.5 | 40 | 290 | 10 |
| MA411S42 | 1-5/16" | 35.0 | 46.0 | 21   | 43 | 301 | 10 |
| MA411S44 | 1-3/8"  | 35.0 | 48.0 | 21   | 43 | 338 | 10 |
| MA411S46 | 1-7/16" | 44.0 | 50.0 | 21   | 43 | 357 | 10 |
| MA411S48 | 1-1/2"  | 44.0 | 52.0 | 23.5 | 43 | 376 | 10 |

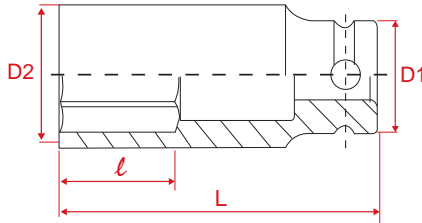
# IMPACT SOCKET

IMPACT SOCKET

## 1/2"MA431M

### IMPACT DEEP SOCKET

- 1/2" drive Deep Length
- Metric size
- 6 points

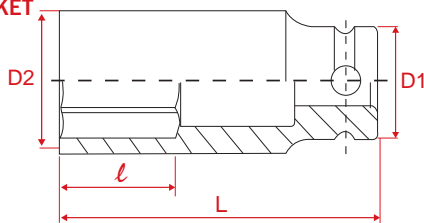


| M7 NO.   | ⊘  | D1   | D2   | ℓ  | L  | ⚖   | 📦  |
|----------|----|------|------|----|----|-----|----|
|          | mm | mm   | mm   | mm | mm | g   |    |
| MA431M06 | 6  | 24.9 | 12.0 | 10 | 82 | 168 | 10 |
| MA431M07 | 7  | 24.9 | 13.0 | 10 | 82 | 168 | 10 |
| MA431M08 | 8  | 24.9 | 14.5 | 13 | 82 | 168 | 10 |
| MA431M09 | 9  | 24.9 | 15.6 | 15 | 82 | 168 | 10 |
| MA431M10 | 10 | 24.9 | 16.7 | 15 | 82 | 168 | 10 |
| MA431M11 | 11 | 24.9 | 18.0 | 15 | 82 | 169 | 10 |
| MA431M12 | 12 | 24.9 | 19.0 | 15 | 82 | 170 | 10 |
| MA431M13 | 13 | 24.9 | 20.2 | 15 | 82 | 176 | 10 |
| MA431M14 | 14 | 24.9 | 21.5 | 18 | 82 | 180 | 10 |
| MA431M15 | 15 | 25.0 | 23.0 | 18 | 82 | 184 | 10 |
| MA431M16 | 16 | 25.0 | 24.9 | 18 | 82 | 190 | 10 |
| MA431M17 | 17 | 25.0 | 25.9 | 19 | 82 | 196 | 10 |
| MA431M18 | 18 | 25.0 | 26.9 | 19 | 82 | 214 | 10 |
| MA431M19 | 19 | 30.0 | 29.9 | 19 | 82 | 216 | 10 |
| MA431M20 | 20 | 30.0 | 29.9 | 26 | 82 | 220 | 10 |
| MA431M21 | 21 | 30.0 | 31.9 | 26 | 82 | 222 | 10 |
| MA431M22 | 22 | 30.0 | 31.9 | 26 | 82 | 288 | 10 |
| MA431M23 | 23 | 30.0 | 33.9 | 26 | 82 | 338 | 10 |
| MA431M24 | 24 | 30.0 | 35.9 | 26 | 82 | 377 | 10 |
| MA431M25 | 25 | 30.0 | 35.9 | 26 | 82 | 369 | 10 |
| MA431M26 | 26 | 30.0 | 37.9 | 26 | 82 | 321 | 10 |
| MA431M27 | 27 | 30.0 | 39.9 | 26 | 82 | 454 | 10 |
| MA431M28 | 28 | 30.0 | 39.9 | 26 | 82 | 442 | 10 |
| MA431M29 | 29 | 30.0 | 41.9 | 26 | 82 | 451 | 10 |
| MA431M30 | 30 | 30.0 | 41.9 | 26 | 82 | 431 | 10 |
| MA431M31 | 31 | 35.0 | 43.9 | 26 | 90 | 480 | 10 |
| MA431M32 | 32 | 35.0 | 43.9 | 26 | 90 | 497 | 10 |
| MA431M33 | 33 | 35.0 | 45.9 | 38 | 90 | 590 | 10 |
| MA431M34 | 34 | 35.0 | 45.9 | 38 | 90 | 554 | 10 |
| MA431M35 | 35 | 44.0 | 49.9 | 38 | 93 | 690 | 10 |
| MA431M36 | 36 | 44.0 | 49.9 | 38 | 93 | 670 | 10 |

## 1/2"MA431S

### IMPACT DEEP SOCKET

- 1/2" drive Deep Length
- Inch size
- 6 points

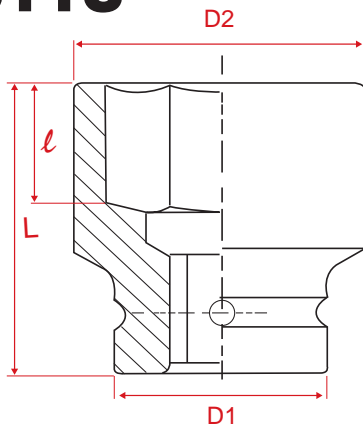


| M7 NO.   | ⊘       | D1   | D2   | ℓ  | L  | ⚖   | 📦    |
|----------|---------|------|------|----|----|-----|------|
|          | mm      | mm   | mm   | mm | mm | g   |      |
| MA431S08 | 1/4"    | 24.9 | 12.5 | 10 | 82 | 160 | 1010 |
| MA431S10 | 5/16"   | 24.9 | 14.5 | 13 | 82 | 160 | 10   |
| MA431S12 | 3/8"    | 24.9 | 16.0 | 15 | 82 | 167 | 10   |
| MA431S14 | 7/16"   | 24.9 | 18.0 | 15 | 82 | 171 | 10   |
| MA431S16 | 1/2"    | 24.9 | 20.0 | 15 | 82 | 176 | 10   |
| MA431S18 | 9/16"   | 24.9 | 22.0 | 17 | 82 | 181 | 10   |
| MA431S20 | 5/8"    | 24.9 | 24.9 | 18 | 82 | 187 | 10   |
| MA431S22 | 11/16"  | 25.0 | 25.9 | 18 | 82 | 194 | 10   |
| MA431S24 | 3/4"    | 25.0 | 27.9 | 18 | 82 | 217 | 10   |
| MA431S26 | 13/16"  | 25.0 | 29.9 | 26 | 82 | 227 | 10   |
| MA431S28 | 7/8"    | 30.0 | 31.9 | 26 | 82 | 290 | 10   |
| MA431S30 | 15/16"  | 30.0 | 33.9 | 26 | 82 | 319 | 10   |
| MA431S32 | 1"      | 30.0 | 35.9 | 26 | 82 | 346 | 10   |
| MA431S34 | 1-1/16" | 30.0 | 37.9 | 26 | 82 | 450 | 10   |
| MA431S36 | 1-1/8"  | 30.0 | 39.9 | 26 | 82 | 450 | 10   |
| MA431S38 | 1-3/16" | 30.0 | 41.9 | 26 | 82 | 480 | 10   |
| MA431S40 | 1-1/4"  | 30.0 | 43.9 | 26 | 82 | 500 | 10   |
| MA431S42 | 1-5/16" | 35.0 | 45.9 | 34 | 90 | 565 | 10   |
| MA431S44 | 1-3/8"  | 35.0 | 47.9 | 34 | 90 | 595 | 10   |
| MA431S46 | 1-7/16" | 44.0 | 49.9 | 34 | 90 | 699 | 10   |
| MA431S48 | 1-1/2"  | 44.0 | 51.8 | 34 | 90 | 744 | 10   |

# 3/4"MA611S

Impact Standard Socket

- 3/4" drive standard Length
- 6 points
- Inch size



| M7 NO.   | ⊘        | D1 | D2   | l  | L  | ⚖    | 📦 |
|----------|----------|----|------|----|----|------|---|
|          | mm       | mm | mm   | mm | mm | g    |   |
| MA611S16 | 1/2"     | 38 | 22   | 16 | 50 | 207  | 1 |
| MA611S18 | 9/16"    | 38 | 26.5 | 16 | 50 | 229  | 1 |
| MA611S20 | 5/8"     | 38 | 27.5 | 16 | 50 | 228  | 1 |
| MA611S22 | 11/16"   | 38 | 29   | 16 | 50 | 232  | 1 |
| MA611S24 | 3/4"     | 38 | 30   | 16 | 50 | 226  | 1 |
| MA611S26 | 13/16"   | 38 | 32   | 18 | 52 | 238  | 1 |
| MA611S28 | 7/8"     | 38 | 34   | 18 | 52 | 243  | 1 |
| MA611S30 | 15/16"   | 38 | 36   | 18 | 52 | 251  | 1 |
| MA611S32 | 1"       | 40 | 40   | 18 | 52 | 306  | 1 |
| MA611S34 | 1-1/16"  | 40 | 40   | 18 | 52 | 290  | 1 |
| MA611S36 | 1-1/8"   | 42 | 42   | 18 | 52 | 320  | 1 |
| MA611S38 | 1-3/16"  | 44 | 44   | 18 | 52 | 366  | 1 |
| MA611S40 | 1-1/4"   | 44 | 44   | 18 | 52 | 343  | 1 |
| MA611S42 | 1-5/16"  | 44 | 47   | 22 | 56 | 403  | 1 |
| MA611S44 | 1-3/8"   | 44 | 50   | 22 | 56 | 444  | 1 |
| MA611S46 | 1-7/16"  | 44 | 51   | 22 | 56 | 451  | 1 |
| MA611S48 | 1-1/2"   | 44 | 53   | 22 | 56 | 473  | 1 |
| MA611S50 | 1-9/16"  | 44 | 56   | 25 | 62 | 571  | 1 |
| MA611S52 | 1-5/8"   | 44 | 58   | 25 | 62 | 608  | 1 |
| MA611S54 | 1-11/16" | 44 | 63.5 | 25 | 62 | 733  | 1 |
| MA611S56 | 1-3/4"   | 44 | 65   | 25 | 62 | 762  | 1 |
| MA611S58 | 1-13/16" | 44 | 67   | 25 | 68 | 870  | 1 |
| MA611S60 | 1-7/8"   | 44 | 68   | 25 | 68 | 879  | 1 |
| MA611S62 | 1-15/16" | 44 | 70   | 33 | 70 | 960  | 1 |
| MA611S64 | 2"       | 54 | 71   | 33 | 72 | 1101 | 1 |
| MA611S66 | 2-1/16"  | 54 | 74   | 33 | 72 | 1126 | 1 |
| MA611S68 | 2-1/8"   | 54 | 77   | 33 | 72 | 1239 | 1 |
| MA611S70 | 2-3/16"  | 54 | 77   | 33 | 74 | 1221 | 1 |
| MA611S72 | 2-1/4"   | 54 | 80   | 33 | 74 | 1353 | 1 |
| MA611S74 | 2-5/16"  | 54 | 82   | 33 | 75 | 1356 | 1 |
| MA611S76 | 2-3/8"   | 54 | 84   | 33 | 75 | 1436 | 1 |
| MA611S78 | 2-7/16"  | 54 | 85   | 33 | 75 | 1796 | 1 |
| MA611S80 | 2-1/2"   | 54 | 86   | 33 | 75 | 1424 | 1 |
| MA611S82 | 2-9/16"  | 62 | 89   | 36 | 78 | 1627 | 1 |
| MA611S84 | 2-5/8"   | 62 | 91   | 38 | 80 | 1757 | 1 |
| MA611S86 | 2-11/16" | 62 | 93   | 38 | 80 | 1850 | 1 |
| MA611S88 | 2-3/4"   | 62 | 95   | 40 | 82 | 2003 | 1 |
| MA611S90 | 2-13/16" | 62 | 98   | 40 | 82 | 2195 | 1 |
| MA611S92 | 2-7/8"   | 62 | 100  | 40 | 82 | 2158 | 1 |
| MA611S94 | 2-15/16" | 62 | 102  | 40 | 85 | 2334 | 1 |
| MA611S96 | 3"       | 62 | 104  | 40 | 87 | 2535 | 1 |

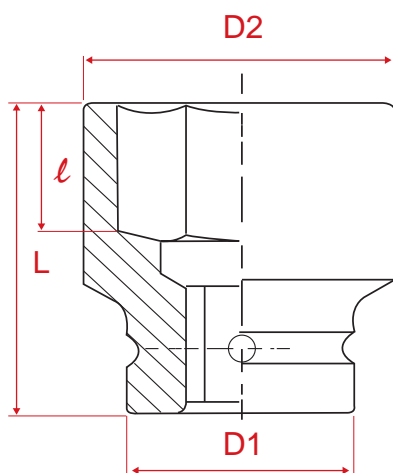
# IMPACT SOCKET

IMPACT  
SOCKET

## 3/4"MA611M

Impact Standard Socket

- 3/4" drive standard Length
- 6 points
- Metric size

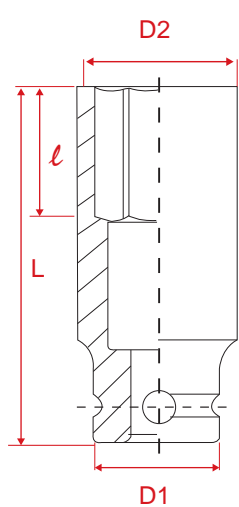


| M7 NO.   | ⊙  | D1 | D2 | l  | L  | ⚖    | 📦 |
|----------|----|----|----|----|----|------|---|
|          | mm | mm | mm | mm | mm | g    |   |
| MA611M17 | 17 | 38 | 28 | 16 | 50 | 225  | 1 |
| MA611M19 | 19 | 38 | 30 | 16 | 50 | 235  | 1 |
| MA611M20 | 20 | 38 | 31 | 16 | 52 | 233  | 1 |
| MA611M21 | 21 | 38 | 32 | 18 | 52 | 239  | 1 |
| MA611M22 | 22 | 38 | 34 | 18 | 52 | 249  | 1 |
| MA611M23 | 23 | 38 | 35 | 18 | 52 | 249  | 1 |
| MA611M24 | 24 | 38 | 36 | 18 | 52 | 246  | 1 |
| MA611M25 | 25 | 38 | 38 | 18 | 52 | 267  | 1 |
| MA611M26 | 26 | 40 | 40 | 18 | 52 | 297  | 1 |
| MA611M27 | 27 | 40 | 40 | 18 | 52 | 285  | 1 |
| MA611M28 | 28 | 42 | 42 | 19 | 52 | 330  | 1 |
| MA611M29 | 29 | 42 | 42 | 19 | 52 | 320  | 1 |
| MA611M30 | 30 | 44 | 44 | 19 | 52 | 368  | 1 |
| MA611M31 | 31 | 44 | 44 | 20 | 52 | 370  | 1 |
| MA611M32 | 32 | 44 | 44 | 22 | 52 | 364  | 1 |
| MA611M33 | 33 | 44 | 47 | 22 | 56 | 411  | 1 |
| MA611M34 | 34 | 44 | 48 | 22 | 56 | 435  | 1 |
| MA611M35 | 35 | 44 | 50 | 22 | 56 | 458  | 1 |
| MA611M36 | 36 | 44 | 51 | 22 | 56 | 472  | 1 |
| MA611M37 | 37 | 44 | 52 | 22 | 56 | 483  | 1 |
| MA611M38 | 38 | 44 | 53 | 22 | 56 | 499  | 1 |
| MA611M40 | 40 | 44 | 56 | 26 | 62 | 568  | 1 |
| MA611M41 | 41 | 44 | 58 | 26 | 62 | 618  | 1 |
| MA611M42 | 42 | 44 | 61 | 26 | 62 | 679  | 1 |
| MA611M43 | 43 | 44 | 63 | 27 | 63 | 734  | 1 |
| MA611M44 | 44 | 44 | 65 | 27 | 63 | 772  | 1 |
| MA611M45 | 45 | 44 | 66 | 27 | 63 | 792  | 1 |
| MA611M46 | 46 | 44 | 67 | 27 | 63 | 815  | 1 |
| MA611M47 | 47 | 44 | 68 | 32 | 68 | 883  | 1 |
| MA611M48 | 48 | 44 | 69 | 32 | 68 | 934  | 1 |
| MA611M49 | 49 | 44 | 70 | 34 | 70 | 994  | 1 |
| MA611M50 | 50 | 54 | 71 | 35 | 72 | 1117 | 1 |
| MA611M52 | 52 | 54 | 74 | 35 | 72 | 1160 | 1 |
| MA611M54 | 54 | 54 | 77 | 35 | 72 | 1236 | 1 |
| MA611M55 | 55 | 54 | 77 | 35 | 74 | 1247 | 1 |
| MA611M56 | 56 | 54 | 80 | 35 | 74 | 1545 | 1 |
| MA611M60 | 60 | 54 | 84 | 35 | 75 | 1454 | 1 |
| MA611M63 | 63 | 54 | 86 | 35 | 75 | 1521 | 1 |
| MA611M65 | 65 | 54 | 88 | 35 | 78 | 1565 | 1 |

# 3/4" MA631M

Impact Deep Socket

- 3/4" drive Deep Length
- 6 points
- Metric size



| M7 NO.   | ⊙  | D1 | D2 | l    | L   | ⚖    | 📦  |
|----------|----|----|----|------|-----|------|----|
|          | mm | mm | mm | mm   | mm  | g    |    |
| MA631M19 | 19 | 38 | 30 | 11.5 | 85  | 360  | 10 |
| MA631M20 | 20 | 38 | 31 | 12   | 85  | 371  | 10 |
| MA631M21 | 21 | 38 | 32 | 12   | 85  | 378  | 10 |
| MA631M22 | 22 | 38 | 34 | 12.5 | 85  | 402  | 10 |
| MA631M23 | 23 | 38 | 35 | 13   | 85  | 415  | 10 |
| MA631M24 | 24 | 38 | 36 | 14   | 85  | 410  | 10 |
| MA631M25 | 25 | 38 | 38 | 35   | 85  | 429  | 10 |
| MA631M26 | 26 | 40 | 40 | 35   | 85  | 487  | 10 |
| MA631M27 | 27 | 40 | 40 | 35   | 85  | 470  | 10 |
| MA631M28 | 28 | 42 | 42 | 35   | 85  | 529  | 10 |
| MA631M29 | 29 | 42 | 42 | 35   | 85  | 458  | 10 |
| MA631M30 | 30 | 44 | 44 | 35   | 85  | 573  | 10 |
| MA631M31 | 31 | 44 | 44 | 35   | 85  | 552  | 10 |
| MA631M32 | 32 | 44 | 44 | 35   | 85  | 535  | 10 |
| MA631M33 | 33 | 44 | 47 | 35   | 85  | 614  | 10 |
| MA631M34 | 34 | 44 | 48 | 35   | 85  | 617  | 10 |
| MA631M35 | 35 | 44 | 50 | 40   | 85  | 576  | 10 |
| MA631M36 | 36 | 44 | 51 | 40   | 85  | 684  | 10 |
| MA631M37 | 37 | 44 | 52 | 40   | 85  | 699  | 10 |
| MA631M38 | 38 | 44 | 53 | 40   | 85  | 708  | 10 |
| MA631M40 | 40 | 44 | 56 | 40   | 85  | 763  | 10 |
| MA631M41 | 41 | 44 | 58 | 45   | 85  | 801  | 10 |
| MA631M42 | 42 | 44 | 61 | 45   | 85  | 889  | 10 |
| MA631M43 | 43 | 44 | 63 | 55   | 95  | 1168 | 10 |
| MA631M44 | 44 | 44 | 65 | 55   | 95  | 1215 | 10 |
| MA631M45 | 45 | 44 | 66 | 55   | 95  | 1220 | 10 |
| MA631M46 | 46 | 44 | 67 | 55   | 95  | 1259 | 10 |
| MA631M47 | 47 | 44 | 68 | 55   | 95  | 1266 | 10 |
| MA631M48 | 48 | 44 | 69 | 55   | 95  | 1285 | 10 |
| MA631M49 | 49 | 44 | 70 | 55   | 95  | 1354 | 10 |
| MA631M50 | 50 | 54 | 71 | 55   | 95  | 1388 | 10 |
| MA631M52 | 52 | 54 | 74 | 55   | 95  | 1516 | 10 |
| MA631M55 | 55 | 54 | 77 | 55   | 100 | 1664 | 10 |
| MA631M60 | 60 | 54 | 84 | 55   | 105 | 1935 | 10 |
| MA631M65 | 65 | 54 | 88 | 55   | 105 | 2214 | 10 |

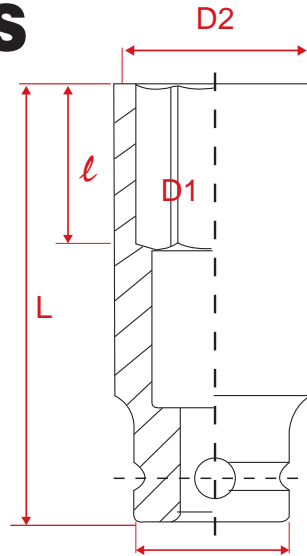
# IMPACT SOCKET

IMPACT SOCKET

## 3/4" MA631S

Impact Deep Socket

- 3/4" drive Deep Length
- Inch size
- 6 points

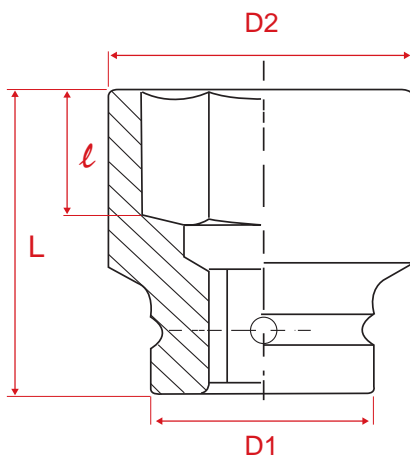


| M7 NO.   | ⊘        | D1 | D2   | l  | L   | ⚖    | 📦 |
|----------|----------|----|------|----|-----|------|---|
|          | mm       | mm | mm   | mm | mm  | g    |   |
| MA631S16 | 1/2"     | 38 | 22   | 20 | 85  | 310  | 1 |
| MA631S18 | 9/16"    | 38 | 26.5 | 20 | 85  | 364  | 1 |
| MA631S20 | 5/8"     | 38 | 27.5 | 20 | 85  | 361  | 1 |
| MA631S22 | 11/16"   | 38 | 29   | 20 | 85  | 374  | 1 |
| MA631S24 | 3/4"     | 38 | 30   | 20 | 85  | 364  | 1 |
| MA631S26 | 13/16"   | 38 | 32   | 25 | 85  | 378  | 1 |
| MA631S28 | 7/8"     | 38 | 34   | 25 | 85  | 402  | 1 |
| MA631S30 | 15/16"   | 38 | 36   | 25 | 85  | 414  | 1 |
| MA631S32 | 1"       | 40 | 40   | 35 | 85  | 500  | 1 |
| MA631S34 | 1-1/16"  | 40 | 40   | 35 | 85  | 472  | 1 |
| MA631S36 | 1-1/8"   | 42 | 42   | 35 | 85  | 517  | 1 |
| MA631S38 | 1-3/16"  | 44 | 44   | 35 | 85  | 567  | 1 |
| MA631S40 | 1-1/4"   | 44 | 44   | 35 | 85  | 537  | 1 |
| MA631S42 | 1-5/16"  | 44 | 47   | 35 | 85  | 605  | 1 |
| MA631S44 | 1-3/8"   | 44 | 50   | 40 | 85  | 686  | 1 |
| MA631S46 | 1-7/16"  | 44 | 51   | 40 | 85  | 671  | 1 |
| MA631S48 | 1-1/2"   | 44 | 53   | 40 | 85  | 697  | 1 |
| MA631S50 | 1-9/16"  | 44 | 56   | 40 | 85  | 766  | 1 |
| MA631S52 | 1-5/8"   | 44 | 58   | 45 | 85  | 783  | 1 |
| MA631S54 | 1-11/16" | 44 | 63.5 | 45 | 85  | 979  | 1 |
| MA631S56 | 1-3/4"   | 44 | 65   | 45 | 85  | 1023 | 1 |
| MA631S58 | 1-13/16" | 44 | 67   | 45 | 85  | 1081 | 1 |
| MA631S60 | 1-7/8"   | 44 | 68   | 45 | 85  | 1087 | 1 |
| MA631S62 | 1-15/16" | 44 | 70   | 45 | 85  | 1175 | 1 |
| MA631S64 | 2"       | 54 | 71   | 45 | 85  | 1243 | 1 |
| MA631S66 | 2-1/16"  | 54 | 74   | 55 | 95  | 1478 | 1 |
| MA631S68 | 2-1/8"   | 54 | 77   | 55 | 95  | 1586 | 1 |
| MA631S70 | 2-3/16"  | 54 | 77   | 55 | 95  | 1504 | 1 |
| MA631S72 | 2-1/4"   | 54 | 80   | 55 | 95  | 1650 | 1 |
| MA631S74 | 2-5/16"  | 54 | 82   | 55 | 95  | 1725 | 1 |
| MA631S76 | 2-3/8"   | 54 | 84   | 55 | 95  | 1794 | 1 |
| MA631S78 | 2-7/16"  | 54 | 85   | 55 | 95  | 1737 | 1 |
| MA631S80 | 2-1/2"   | 54 | 86   | 55 | 95  | 1760 | 1 |
| MA631S82 | 2-9/16"  | 62 | 89   | 46 | 100 | 2581 | 1 |
| MA631S84 | 2-5/8"   | 62 | 91   | 50 | 100 | 2297 | 1 |
| MA631S86 | 2-11/16" | 62 | 93   | 56 | 105 | 2383 | 1 |
| MA631S88 | 2-3/4"   | 62 | 95   | 56 | 105 | 2424 | 1 |
| MA631S90 | 2-13/16" | 62 | 98   | 67 | 110 | 2876 | 1 |
| MA631S92 | 2-7/8"   | 62 | 100  | 67 | 110 | 2905 | 1 |
| MA631S94 | 2-15/16" | 62 | 102  | 80 | 120 | 3258 | 1 |
| MA631S96 | 3"       | 62 | 104  | 80 | 120 | 3267 | 1 |

# 1"MA811M

Impact Standard Socket

- 1" drive standard Length
- 6 points
- Metric size



| M7 NO.   | ○  | D1 | D2   | l  | L  | ⚖    | 📦 |
|----------|----|----|------|----|----|------|---|
|          | mm | mm | mm   | mm | mm | g    |   |
| MA811M19 | 19 | 51 | 36   | 19 | 58 | 490  | 1 |
| MA811M21 | 21 | 51 | 38   | 19 | 58 | 487  | 1 |
| MA811M22 | 22 | 51 | 39   | 19 | 58 | 500  | 1 |
| MA811M23 | 23 | 51 | 40   | 19 | 58 | 501  | 1 |
| MA811M24 | 24 | 51 | 40   | 19 | 58 | 508  | 1 |
| MA811M25 | 25 | 51 | 41   | 19 | 58 | 508  | 1 |
| MA811M26 | 26 | 51 | 42.5 | 19 | 58 | 508  | 1 |
| MA811M27 | 27 | 51 | 44   | 19 | 58 | 503  | 1 |
| MA811M28 | 28 | 51 | 45   | 19 | 58 | 513  | 1 |
| MA811M29 | 29 | 51 | 46   | 21 | 60 | 518  | 1 |
| MA811M30 | 30 | 51 | 48   | 21 | 60 | 541  | 1 |
| MA811M32 | 32 | 51 | 51   | 21 | 60 | 566  | 1 |
| MA811M33 | 33 | 52 | 53   | 23 | 62 | 626  | 1 |
| MA811M34 | 34 | 52 | 54   | 23 | 62 | 645  | 1 |
| MA811M35 | 35 | 52 | 54   | 23 | 62 | 655  | 1 |
| MA811M36 | 36 | 52 | 56   | 23 | 62 | 655  | 1 |
| MA811M38 | 38 | 52 | 58   | 23 | 62 | 674  | 1 |
| MA811M40 | 40 | 52 | 60   | 23 | 62 | 680  | 1 |
| MA811M41 | 41 | 52 | 61.5 | 23 | 62 | 726  | 1 |
| MA811M42 | 42 | 52 | 63   | 25 | 64 | 769  | 1 |
| MA811M43 | 43 | 52 | 65   | 25 | 64 | 801  | 1 |
| MA811M44 | 44 | 58 | 66   | 25 | 64 | 950  | 1 |
| MA811M45 | 45 | 58 | 67   | 25 | 64 | 958  | 1 |
| MA811M46 | 46 | 58 | 68   | 25 | 64 | 976  | 1 |
| MA811M50 | 50 | 58 | 73   | 31 | 70 | 1139 | 1 |
| MA811M52 | 52 | 58 | 75   | 31 | 70 | 1156 | 1 |
| MA811M54 | 54 | 58 | 78   | 31 | 70 | 1232 | 1 |
| MA811M55 | 55 | 62 | 79   | 33 | 72 | 1329 | 1 |
| MA811M56 | 56 | 62 | 80   | 35 | 74 | 1389 | 1 |
| MA811M58 | 58 | 62 | 85   | 36 | 75 | 1590 | 1 |
| MA811M60 | 60 | 62 | 87   | 37 | 78 | 1722 | 1 |
| MA811M65 | 65 | 62 | 93   | 38 | 80 | 1852 | 1 |
| MA811M70 | 70 | 62 | 98   | 42 | 85 | 2171 | 1 |



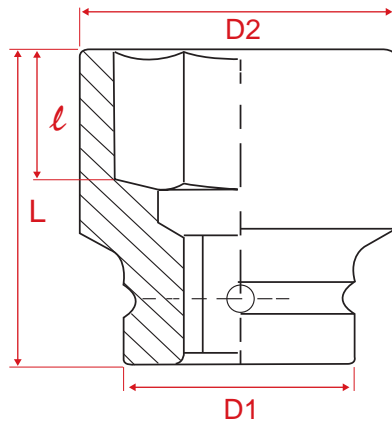
# IMPACT SOCKET

IMPACT  
SOCKET

## 1" MA811S

Impact Standard Socket

- 1" drive standard Length
- 6 points
- Inch size

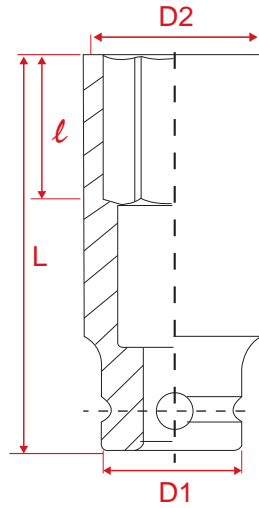


| M7 NO.    | O        | D1   | D2   | l  | L   | ⚖    | 📦 |
|-----------|----------|------|------|----|-----|------|---|
|           |          | mm   | mm   | mm | mm  |      |   |
| MA811S24  | 3/4"     | 50.9 | 36   | 18 | 58  | 475  | 1 |
| MA811S26  | 13/16"   | 50.9 | 38   | 18 | 58  | 486  | 1 |
| MA811S28  | 7/8"     | 50.9 | 39   | 18 | 58  | 495  | 1 |
| MA811S30  | 15/16"   | 50.9 | 40   | 18 | 58  | 481  | 1 |
| MA811S32  | 1"       | 50.9 | 42   | 18 | 58  | 497  | 1 |
| MA811S34  | 1-1/16"  | 50.9 | 44   | 18 | 58  | 506  | 1 |
| MA811S36  | 1-1/8"   | 50.9 | 46   | 18 | 58  | 512  | 1 |
| MA811S38  | 1-3/16"  | 50.9 | 48   | 20 | 60  | 545  | 1 |
| MA811S40  | 1-1/4"   | 50.9 | 50.9 | 20 | 60  | 566  | 1 |
| MA811S42  | 1-5/16"  | 52   | 52.9 | 22 | 62  | 631  | 1 |
| MA811S44  | 1-3/8"   | 52   | 53.9 | 22 | 62  | 634  | 1 |
| MA811S46  | 1-7/16"  | 52   | 55.9 | 22 | 62  | 645  | 1 |
| MA811S48  | 1-1/2"   | 52   | 58   | 22 | 62  | 667  | 1 |
| MA811S50  | 1-9/16"  | 52   | 60   | 22 | 62  | 697  | 1 |
| MA811S52  | 1-5/8"   | 52   | 61.5 | 22 | 62  | 717  | 1 |
| MA811S54  | 1-11/16" | 52   | 65   | 24 | 64  | 791  | 1 |
| MA811S56  | 1-3/4"   | 58   | 66   | 24 | 64  | 944  | 1 |
| MA811S58  | 1-13/16" | 58   | 68   | 24 | 64  | 976  | 1 |
| MA811S60  | 1-7/8"   | 58   | 70   | 26 | 66  | 1036 | 1 |
| MA811S62  | 1-15/16" | 58   | 72   | 28 | 68  | 1037 | 1 |
| MA811S64  | 2"       | 58   | 74   | 30 | 70  | 1157 | 1 |
| MA811S66  | 2-1/16"  | 58   | 75   | 30 | 70  | 1158 | 1 |
| MA811S68  | 2-1/8"   | 58   | 78   | 30 | 70  | 1212 | 1 |
| MA811S70  | 2-3/16"  | 62   | 80   | 33 | 72  | 1350 | 1 |
| MA811S72  | 2-1/4"   | 62   | 84   | 35 | 75  | 1595 | 1 |
| MA811S74  | 2-5/16"  | 62   | 86   | 35 | 75  | 1594 | 1 |
| MA811S76  | 2-3/8"   | 62   | 87   | 36 | 78  | 1686 | 1 |
| MA811S78  | 2-7/16"  | 62   | 89   | 36 | 78  | 1750 | 1 |
| MA811S80  | 2-1/2"   | 62   | 91   | 37 | 80  | 1826 | 1 |
| MA811S82  | 2-9/16"  | 62   | 93   | 37 | 80  | 1879 | 1 |
| MA811S84  | 2-5/8"   | 62   | 95   | 39 | 82  | 2013 | 1 |
| MA811S86  | 2-11/16" | 62   | 97   | 39 | 82  | 1987 | 1 |
| MA811S88  | 2-3/4"   | 62   | 98   | 41 | 85  | 2111 | 1 |
| MA811S90  | 2-13/16" | 62   | 100  | 41 | 87  | 2212 | 1 |
| MA811S92  | 2-7/8"   | 62   | 102  | 41 | 87  | 2314 | 1 |
| MA811S94  | 2-15/16" | 86   | 104  | 50 | 95  | 2571 | 1 |
| MA811S96  | 3"       | 86   | 106  | 52 | 98  | 3361 | 1 |
| MA811S100 | 3-1/8"   | 86   | 109  | 52 | 100 | 3515 | 1 |
| MA811S104 | 3-1/4"   | 86   | 113  | 52 | 100 | 3696 | 1 |
| MA811S108 | 3-3/8"   | 86   | 115  | 52 | 100 | 3633 | 1 |
| MA811S112 | 3-1/2"   | 86   | 119  | 52 | 105 | 4075 | 1 |
| MA811S116 | 3-5/8"   | 86   | 127  | 52 | 110 | 5023 | 1 |
| MA811S120 | 3-3/4"   | 86   | 130  | 52 | 110 | 4937 | 1 |
| MA811S124 | 3-7/8"   | 95   | 136  | 52 | 110 | 5740 | 1 |
| MA811S128 | 4"       | 95   | 140  | 62 | 120 | 6816 | 1 |
| MA811S132 | 4-1/8"   | 95   | 143  | 62 | 120 | 6725 | 1 |
| MA811S136 | 4-1/4"   | 95   | 146  | 62 | 120 | 6861 | 1 |
| MA811S144 | 4-1/2"   | 95   | 152  | 62 | 120 | 7068 | 1 |

# 1" MA831S

Impact Deep Socket

- 1" drive Deep Length
- 6 points
- Inch size



| M7 NO.    | ⊘        | D1 | D2   | l   | L   | ⚖    | 📦 |
|-----------|----------|----|------|-----|-----|------|---|
|           | mm       | mm | mm   | mm  | mm  | g    |   |
| MA831S24  | 3/4"     | 51 | 36   | 27  | 90  | 706  | 1 |
| MA831S26  | 13/16"   | 51 | 38   | 27  | 90  | 745  | 1 |
| MA831S28  | 7/8"     | 51 | 39   | 27  | 90  | 728  | 1 |
| MA831S30  | 15/16"   | 51 | 40   | 27  | 90  | 731  | 1 |
| MA831S32  | 1"       | 51 | 42   | 32  | 90  | 748  | 1 |
| MA831S34  | 1-1/16"  | 51 | 44   | 32  | 90  | 765  | 1 |
| MA831S36  | 1-1/8"   | 51 | 46   | 32  | 90  | 786  | 1 |
| MA831S38  | 1-3/16"  | 51 | 48   | 37  | 90  | 807  | 1 |
| MA831S40  | 1-1/4"   | 51 | 51   | 37  | 90  | 862  | 1 |
| MA831S42  | 1-5/16"  | 52 | 53   | 37  | 90  | 923  | 1 |
| MA831S44  | 1-3/8"   | 52 | 54   | 42  | 90  | 933  | 1 |
| MA831S46  | 1-7/16"  | 52 | 56   | 42  | 90  | 942  | 1 |
| MA831S48  | 1-1/2"   | 52 | 58   | 42  | 92  | 1008 | 1 |
| MA831S50  | 1-9/16"  | 52 | 60   | 42  | 92  | 1058 | 1 |
| MA831S52  | 1-5/8"   | 52 | 61.5 | 42  | 92  | 1077 | 1 |
| MA831S54  | 1-11/16" | 52 | 65   | 42  | 92  | 1208 | 1 |
| MA831S56  | 1-3/4"   | 58 | 66   | 42  | 92  | 1313 | 1 |
| MA831S58  | 1-13/16" | 58 | 68   | 42  | 92  | 1356 | 1 |
| MA831S60  | 1-7/8"   | 58 | 70   | 42  | 92  | 1417 | 1 |
| MA831S62  | 1-15/16" | 58 | 72   | 42  | 92  | 1468 | 1 |
| MA831S64  | 2"       | 58 | 74   | 52  | 95  | 1573 | 1 |
| MA831S66  | 2-1/16"  | 58 | 75   | 52  | 95  | 1556 | 1 |
| MA831S68  | 2-1/8"   | 58 | 78   | 52  | 95  | 1702 | 1 |
| MA831S70  | 2-3/16"  | 62 | 80   | 52  | 100 | 1898 | 1 |
| MA831S72  | 2-1/4"   | 62 | 84   | 52  | 100 | 2097 | 1 |
| MA831S74  | 2-5/16"  | 62 | 86   | 57  | 105 | 2360 | 1 |
| MA831S76  | 2-3/8"   | 62 | 87   | 57  | 105 | 2283 | 1 |
| MA831S78  | 2-7/16"  | 62 | 89   | 62  | 110 | 2521 | 1 |
| MA831S80  | 2-1/2"   | 62 | 91   | 62  | 110 | 2545 | 1 |
| MA831S82  | 2-9/16"  | 62 | 93   | 72  | 120 | 2983 | 1 |
| MA831S84  | 2-5/8"   | 62 | 95   | 72  | 120 | 2877 | 1 |
| MA831S86  | 2-11/16" | 62 | 97   | 77  | 124 | 3077 | 1 |
| MA831S88  | 2-3/4"   | 62 | 98   | 77  | 124 | 3135 | 1 |
| MA831S90  | 2-13/16" | 62 | 100  | 82  | 128 | 3315 | 1 |
| MA831S92  | 2-7/8"   | 62 | 102  | 82  | 128 | 3433 | 1 |
| MA831S94  | 2-15/16" | 86 | 104  | 87  | 135 | 4429 | 1 |
| MA831S96  | 3"       | 86 | 106  | 87  | 135 | 4514 | 1 |
| MA831S100 | 3-1/8"   | 86 | 109  | 87  | 135 | 4689 | 1 |
| MA831S104 | 3-1/4"   | 86 | 113  | 87  | 135 | 4825 | 1 |
| MA831S108 | 3-3/8"   | 86 | 115  | 87  | 135 | 5010 | 1 |
| MA831S112 | 3-1/2"   | 86 | 119  | 87  | 135 | 5087 | 1 |
| MA831S116 | 3-5/8"   | 86 | 127  | 90  | 140 | 6194 | 1 |
| MA831S120 | 3-3/4"   | 86 | 130  | 90  | 140 | 6255 | 1 |
| MA831S124 | 3-7/8"   | 95 | 136  | 90  | 140 | 6921 | 1 |
| MA831S128 | 4"       | 95 | 140  | 105 | 155 | 8504 | 1 |
| MA831S132 | 4-1/8"   | 95 | 143  | 105 | 155 | 8469 | 1 |
| MA831S136 | 4-1/4"   | 95 | 146  | 105 | 155 | 8538 | 1 |
| MA831S144 | 4-1/2"   | 95 | 152  | 105 | 155 | 8950 | 1 |

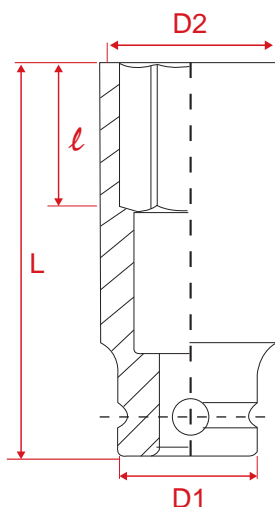
# IMPACT SOCKET

IMPACT SOCKET

## 1"MA831M

Impact Deep Socket

- 1" drive Deep Length
- 6 points
- Metric size

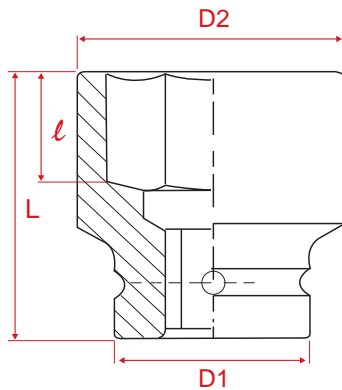


| M7 NO.   | ⊙  | D1 | D2   | l  | L  | ⚖    | 📦 |
|----------|----|----|------|----|----|------|---|
|          | mm | mm | mm   | mm | mm | g    |   |
| MA831M19 | 19 | 51 | 36   | 25 | 58 | 708  | 1 |
| MA831M21 | 21 | 51 | 38   | 25 | 58 | 731  | 1 |
| MA831M22 | 22 | 51 | 39   | 25 | 58 | 745  | 1 |
| MA831M23 | 23 | 51 | 40   | 25 | 58 | 750  | 1 |
| MA831M24 | 24 | 51 | 40   | 25 | 58 | 729  | 1 |
| MA831M25 | 25 | 51 | 41   | 30 | 58 | 746  | 1 |
| MA831M26 | 26 | 51 | 42.5 | 30 | 58 | 742  | 1 |
| MA831M27 | 27 | 51 | 44   | 30 | 58 | 772  | 1 |
| MA831M28 | 28 | 51 | 45   | 30 | 58 | 764  | 1 |
| MA831M29 | 29 | 51 | 46   | 30 | 60 | 785  | 1 |
| MA831M30 | 30 | 51 | 48   | 35 | 60 | 810  | 1 |
| MA831M32 | 32 | 51 | 51   | 35 | 60 | 861  | 1 |
| MA831M33 | 33 | 52 | 53   | 35 | 62 | 928  | 1 |
| MA831M34 | 34 | 52 | 54   | 40 | 62 | 939  | 1 |
| MA831M35 | 35 | 52 | 54   | 40 | 62 | 912  | 1 |
| MA831M36 | 36 | 52 | 56   | 40 | 62 | 980  | 1 |
| MA831M38 | 38 | 52 | 58   | 40 | 62 | 1015 | 1 |
| MA831M40 | 40 | 52 | 60   | 40 | 62 | 1039 | 1 |
| MA831M41 | 41 | 52 | 61.5 | 40 | 62 | 1087 | 1 |
| MA831M42 | 42 | 52 | 63   | 40 | 64 | 1115 | 1 |
| MA831M43 | 43 | 52 | 65   | 40 | 64 | 1200 | 1 |
| MA831M44 | 44 | 58 | 66   | 40 | 64 | 1330 | 1 |
| MA831M45 | 45 | 58 | 67   | 40 | 64 | 1345 | 1 |
| MA831M46 | 46 | 58 | 68   | 40 | 64 | 1317 | 1 |
| MA831M50 | 50 | 58 | 73   | 45 | 70 | 1531 | 1 |
| MA831M52 | 52 | 58 | 75   | 45 | 70 | 1522 | 1 |
| MA831M54 | 54 | 58 | 78   | 45 | 70 | 1685 | 1 |
| MA831M55 | 55 | 62 | 79   | 50 | 72 | 1848 | 1 |
| MA831M56 | 56 | 62 | 80   | 50 | 74 | 1859 | 1 |
| MA831M58 | 58 | 62 | 85   | 55 | 75 | 2226 | 1 |
| MA831M60 | 60 | 62 | 87   | 55 | 78 | 2332 | 1 |
| MA831M65 | 65 | 62 | 93   | 70 | 80 | 2912 | 1 |
| MA831M70 | 70 | 62 | 98   | 75 | 85 | 3183 | 1 |

# 1-1/2" MA911M

## Impact Standard Socket

- 1-1/2" drive Standard Length
- 6 points
- Metric size

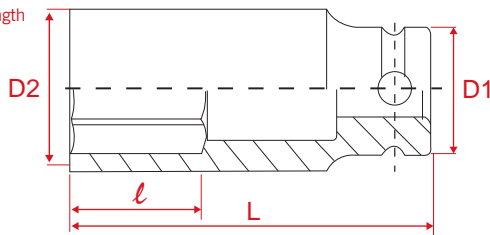


| M7 NO.    | ⌀   | D1  | D2  | l  | L   | ⚖    | 📦 |
|-----------|-----|-----|-----|----|-----|------|---|
|           | mm  | mm  | mm  | mm | mm  | g    |   |
| MA911M35  | 35  | 86  | 62  | 23 | 78  | 2200 | 1 |
| MA911M41  | 41  | 86  | 70  | 26 | 80  | 2320 | 1 |
| MA911M46  | 46  | 86  | 76  | 27 | 84  | 2460 | 1 |
| MA911M50  | 50  | 86  | 80  | 29 | 87  | 2590 | 1 |
| MA911M51  | 51  | 86  | 82  | 29 | 87  | 2610 | 1 |
| MA911M52  | 52  | 86  | 83  | 30 | 87  | 2590 | 1 |
| MA911M54  | 54  | 86  | 86  | 36 | 90  | 2740 | 1 |
| MA911M55  | 55  | 86  | 86  | 36 | 90  | 3160 | 1 |
| MA911M58  | 58  | 86  | 93  | 38 | 90  | 2870 | 1 |
| MA911M60  | 60  | 86  | 93  | 38 | 90  | 2790 | 1 |
| MA911M65  | 65  | 86  | 98  | 40 | 95  | 2180 | 1 |
| MA911M70  | 70  | 86  | 106 | 43 | 95  | 3240 | 1 |
| MA911M75  | 75  | 86  | 108 | 45 | 103 | 3430 | 1 |
| MA911M80  | 80  | 86  | 118 | 50 | 110 | 4190 | 1 |
| MA911M85  | 85  | 86  | 125 | 50 | 110 | 4450 | 1 |
| MA911M90  | 90  | 86  | 128 | 55 | 118 | 4820 | 1 |
| MA911M95  | 95  | 95  | 134 | 55 | 118 | 5830 | 1 |
| MA911M100 | 100 | 95  | 138 | 58 | 125 | 5920 | 1 |
| MA911M105 | 105 | 95  | 142 | 58 | 125 | 6140 | 1 |
| MA911M110 | 110 | 95  | 148 | 66 | 135 | 6120 | 1 |
| MA911M115 | 115 | 95  | 158 | 66 | 135 | 7520 | 1 |
| MA911M120 | 120 | 95  | 165 | 66 | 135 | 8360 | 1 |
| MA911M130 | 130 | 127 | 178 | 72 | 140 | 9040 | 1 |

# 1-1/2" MA931M

## Impact Deep Socket

- 1-1/2" drive Deep Length
- 6 points
- Metric size



| M7 NO.    | ⌀   | D1 | D2  | l  | L   | ⚖     | 📦 |
|-----------|-----|----|-----|----|-----|-------|---|
|           | mm  | mm | mm  | mm | mm  | g     |   |
| MA931M41  | 41  | 86 | 70  | 32 | 115 | 3070  | 1 |
| MA931M51  | 51  | 86 | 82  | 38 | 135 | 3940  | 1 |
| MA931M54  | 54  | 86 | 86  | 36 | 140 | 4310  | 1 |
| MA931M55  | 55  | 86 | 86  | 36 | 140 | 4670  | 1 |
| MA931M58  | 58  | 86 | 93  | 43 | 150 | 4950  | 1 |
| MA931M60  | 60  | 86 | 93  | 45 | 150 | 4900  | 1 |
| MA931M65  | 65  | 86 | 98  | 47 | 150 | 5070  | 1 |
| MA931M70  | 70  | 86 | 106 | 49 | 160 | 6050  | 1 |
| MA931M75  | 75  | 86 | 108 | 53 | 170 | 6270  | 1 |
| MA931M80  | 80  | 86 | 118 | 53 | 170 | 7310  | 1 |
| MA931M85  | 85  | 86 | 125 | 58 | 170 | 7900  | 1 |
| MA931M90  | 90  | 86 | 128 | 62 | 170 | 7790  | 1 |
| MA931M95  | 95  | 95 | 134 | 65 | 180 | 9070  | 1 |
| MA931M100 | 100 | 95 | 138 | 68 | 190 | 9770  | 1 |
| MA931M110 | 110 | 95 | 148 | 75 | 190 | 10390 | 1 |
| MA931M115 | 115 | 95 | 158 | 80 | 210 | 12930 | 1 |
| MA931M120 | 120 | 95 | 165 | 80 | 210 | 15160 | 1 |
| MA931M125 | 125 | 95 | 168 | 80 | 210 | 13150 | 1 |

# IMPACT SOCKET

IMPACT SOCKET

## 1/4" ME221

1/4" Drive Extension Bar



| M7 NO.   | Total Length |     | Scales | Box |
|----------|--------------|-----|--------|-----|
|          | inch         | mm  |        |     |
| ME221-02 | 2"           | 50  | 26     | 10  |
| ME221-04 | 4"           | 100 | 46     | 10  |
| ME221-06 | 6"           | 150 | 67     | 10  |

## 3/4" ME621

3/4" Drive Extension Bar



| M7 NO.   | Total Length |     | Scales | Box |
|----------|--------------|-----|--------|-----|
|          | inch         | mm  |        |     |
| ME621-04 | 4"           | 100 | 609    | 10  |
| ME621-06 | 6"           | 150 | 813    | 10  |
| ME621-07 | 7"           | 175 | 911    | 10  |
| ME621-08 | 8"           | 200 | 929    | 10  |
| ME621-10 | 10"          | 250 | 1200   | 10  |
| ME621-13 | 13"          | 330 | 1480   | 10  |

## 3/8" ME321

3/8" Drive Extension Bar



| M7 NO.   | Total Length |     | Scales | Box |
|----------|--------------|-----|--------|-----|
|          | inch         | mm  |        |     |
| ME321-03 | 3"           | 75  | 79     | 10  |
| ME321-05 | 5"           | 125 | 124    | 10  |
| ME321-06 | 6"           | 150 | 140    | 10  |
| ME321-10 | 10"          | 250 | 242    | 10  |
| ME321-12 | 12"          | 300 | 288    | 10  |
| ME321-15 | 15"          | 375 | 354    | 10  |

## 1" ME821

1" Drive Extension Bar



| M7 NO.   | Total Length |     | Scales | Box |
|----------|--------------|-----|--------|-----|
|          | inch         | mm  |        |     |
| ME821-03 | 3"           | 75  | 727    | 10  |
| ME821-06 | 6"           | 150 | 1330   | 10  |
| ME821-07 | 7"           | 175 | 1520   | 10  |
| ME821-08 | 8"           | 200 | 1705   | 10  |
| ME821-10 | 10"          | 250 | 2050   | 10  |
| ME821-12 | 12"          | 300 | 2382   | 10  |
| ME821-13 | 13"          | 330 | 2550   | 10  |

## 1/2" ME421

1/2" Drive Extension Bar



| M7 NO.   | Total Length |     | Scales | Box |
|----------|--------------|-----|--------|-----|
|          | inch         | mm  |        |     |
| ME421-03 | 3"           | 75  | 142    | 10  |
| ME421-05 | 5"           | 125 | 228    | 10  |
| ME421-10 | 10"          | 250 | 653    | 10  |
| ME421-15 | 15"          | 375 | 1041   | 10  |

## ME422

1/2" Drive Torque Extension Bar



| M7 NO.    | Color      | Total Length |      | D       | Torque | Scales | Box |
|-----------|------------|--------------|------|---------|--------|--------|-----|
|           |            | mm           | mm   |         |        |        |     |
| ME422-090 | Yellow     | 194          | 9    | 65/90   | 236    | 10     |     |
| ME422-110 | Blue       | 194          | 11   | 80/110  | 231    | 10     |     |
| ME422-122 | Gray       | 194          | 12.2 | 100/135 | 258    | 10     |     |
| ME422-137 | White      | 194          | 13.7 | 120/160 | 300    | 10     |     |
| ME422-151 | Sky nature | 194          | 15.1 | 140/190 | 306    | 10     |     |
| ME422-103 | Black      | 194          | 10.3 | 75/100  | 224    | 10     |     |
| ME422-114 | Beige      | 194          | 11.4 | 90/120  | 242    | 10     |     |
| ME422-128 | Orange     | 194          | 12.8 | 110/150 | 269    | 10     |     |

# 1/2"ME471S

1/2" Drive SAE Impact Hex Driver



| M7 NO.    | Hex    | Total Length |     |    | g |
|-----------|--------|--------------|-----|----|---|
|           |        | inch         | mm  | g  |   |
| ME471S08L | 1/4"   | 78           | 69  | 10 |   |
| ME471S10L | 5/16"  | 78           | 94  | 10 |   |
| ME471S12L | 3/8"   | 78           | 105 | 10 |   |
| ME471S14L | 7/16"  | 78           | 119 | 10 |   |
| ME471S16L | 1/2"   | 78           | 134 | 10 |   |
| ME471S18L | 9/16"  | 78           | 151 | 10 |   |
| ME471S20L | 5/8"   | 78           | 173 | 10 |   |
| ME471S22L | 11/16" | 78           | 194 | 10 |   |
| ME471S24L | 3/4"   | 78           | 215 | 10 |   |
| ME471S26L | 13/16" | 78           | 229 | 10 |   |



## Male Adapter

| M7 NO. | Spec          | D    |    | L    |    | g |
|--------|---------------|------|----|------|----|---|
|        |               | inch | mm | mm   | g  |   |
| ME382  | 3/8"F x 1/4"M | 22   | 32 | 12   | 10 |   |
| ME384  | 3/8"F x 1/2"M | 22   | 32 | 50   | 10 |   |
| ME483  | 1/2"F x 3/8"M | 25   | 38 | 65   | 10 |   |
| ME486  | 1/2"F x 3/4"M | 30   | 48 | 161  | 10 |   |
| ME688  | 3/4"F x 1"M   | 46   | 68 | 437  | 10 |   |
| ME684  | 3/4"F x 1/2"M | 44   | 60 | 343  | 10 |   |
| ME886  | 1"F x 3/4"M   | 56   | 80 | 653  | 10 |   |
| ME889  | 1"F x 1-1/2"M | 54   | 90 | 1078 | 10 |   |



## Universal Joint

| M7 NO. | Size   | D  | Total Length |      | g    |    |
|--------|--------|----|--------------|------|------|----|
|        |        |    | inch         | mm   |      |    |
| ME2711 | 1/4"   | 20 | 1-3/4"       | 65   | 42   | 10 |
| ME3711 | 3/8"   | 27 | 2"           | 51   | 102  | 10 |
| ME4711 | 1/2"   | 34 | 2-7/16"      | 61   | 208  | 10 |
| ME6711 | 3/4"   | 49 | 3-1/2"       | 90.4 | 641  | 10 |
| ME8711 | 1"     | 59 | 4-1/2"       | 114  | 1199 | 10 |
| ME9711 | 1-1/2" | 90 | 6-11/16"     | 170  | 1312 | 10 |

# 1/2"ME471M

1/2" Drive Impact Hex Bit



| M7 NO.    | Hex | Total Length |     |    | g |
|-----------|-----|--------------|-----|----|---|
|           |     | inch         | mm  | g  |   |
| ME471M04L | 4   | 78           | 71  | 10 |   |
| ME471M05L | 5   | 78           | 77  | 10 |   |
| ME471M06L | 6   | 78           | 81  | 10 |   |
| ME471M07L | 7   | 78           | 87  | 10 |   |
| ME471M08L | 8   | 78           | 95  | 10 |   |
| ME471M09L | 9   | 78           | 102 | 10 |   |
| ME471M10L | 10  | 78           | 108 | 10 |   |
| ME471M11L | 11  | 78           | 118 | 10 |   |
| ME471M12L | 12  | 78           | 128 | 10 |   |
| ME471M13L | 13  | 78           | 140 | 10 |   |
| ME471M14L | 14  | 78           | 149 | 10 |   |
| ME471M15L | 15  | 78           | 166 | 10 |   |
| ME471M16L | 16  | 78           | 177 | 10 |   |
| ME471M17L | 17  | 78           | 188 | 10 |   |
| ME471M18L | 18  | 78           | 202 | 10 |   |
| ME471M19L | 19  | 78           | 215 | 10 |   |
| ME471M21L | 21  | 78           | 233 | 10 |   |



# 3/8"MB371S

3/8" Drive Bit Holder

| M7 NO.   | Drive | Hex   | g    |    |
|----------|-------|-------|------|----|
|          |       |       | inch | g  |
| MB371S08 | 3/8"  | 1/4"  | 43   | 10 |
| MB471S08 | 1/2"  | 1/4"  | 76   | 10 |
| MB471S10 | 1/2"  | 5/16" | 78   | 10 |
| MB471M10 | 1/2"  | 10 mm | 80   | 10 |

## SOCKET STICKERS PACK

100 pieces in one carton



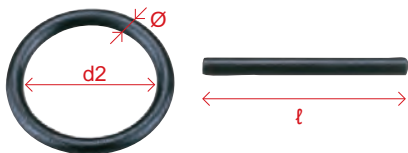
| M7 NO. | Drive |
|--------|-------|
| 8702   | 1/4"  |
| 8703   | 3/8"  |
| 8704   | 1/2"  |
| 8706   | 3/4"  |
| 8708   | 1"    |

# IMPACT SOCKET

IMPACT SOCKET

## 3/8" ME903

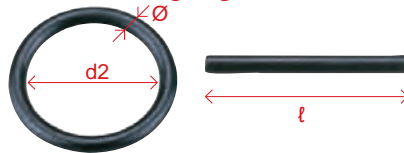
3/8" Drive Locking Ring / 3/8" Drive Locking Pin



| M7 NO.  | Disp. | Ø   | d2 | l  | Applied to socket sizes |
|---------|-------|-----|----|----|-------------------------|
|         |       | mm  | mm | mm |                         |
| ME90315 | Ring  | 3.5 | 12 |    | 6~12mm                  |
| ME90315 | Pin   | 2.5 |    | 14 | (1/4"~3/16")            |
| ME90324 | Ring  | 3.5 | 15 |    | 13~24mm                 |
| ME90324 | Pin   | 2.5 |    | 16 | (9/16"~7/8")            |

## 1/2" ME904

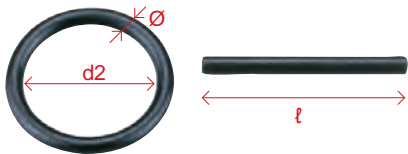
1/2" Drive Locking Ring / 1/2" Drive Locking Pin



| M7 NO.  | Disp. | Ø   | d2 | l  | Applied to socket sizes |
|---------|-------|-----|----|----|-------------------------|
|         |       | mm  | mm | mm |                         |
| ME90424 | Ring  | 3.5 | 19 |    | 8~17mm                  |
| ME90424 | Pin   | 3   |    | 20 | (3/16"~9/16")           |
| ME90436 | Ring  | 3.5 | 23 |    | 15~46mm                 |
| ME90436 | Pin   | 3   |    | 25 | (5/8"~1-1/4")           |

## 3/4" ME906

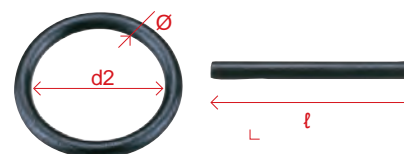
3/4" Drive Locking Ring/3/4" Drive Locking Pin



| M7 NO.  | Disp. | Ø   | d2 | l  | Applied to socket sizes |
|---------|-------|-----|----|----|-------------------------|
|         |       | mm  | mm | mm |                         |
| ME90627 | Ring  | 3.5 | 33 |    | 14~30mm                 |
| ME90627 | Pin   | 3   |    | 30 | (11/16"~1-3/16")        |
| ME90646 | Ring  | 5.5 | 37 |    | 17~46mm                 |
| ME90646 | Pin   | 4   |    | 35 | (1-1/16"~1-13/16")      |
| ME90650 | Ring  | 5.5 | 44 |    | 48mm~65mm               |
| ME90650 | Pin   | 4   |    | 45 | (1-7/8"~2-3/8")         |

## 1" ME908

1" Drive Locking Ring/1" Drive Locking Pin



| M7 NO.  | Disp. | Ø   | d2 | l  | Applied to socket sizes |
|---------|-------|-----|----|----|-------------------------|
|         |       | mm  | mm | mm |                         |
| ME90836 | Ring  | 5.5 | 44 |    | 19~70mm                 |
| ME90836 | Pin   | 5   |    | 45 | (3/4"~2-3/4")           |
| ME90860 | Ring  | 10  | 75 |    | 71~90mm                 |
| ME90860 | Pin   | 5   |    | 75 | (2-13/16"~3-1/2")       |

## AD-22/23/24

Magnetic aluminum rail

| M7 NO.  | Drive | Total Length | mm  | g  |
|---------|-------|--------------|-----|----|
|         | inch  | inch         | mm  | g  |
| AD-2212 | 1/4"  | 12"          | 300 | 25 |
| AD-2312 | 3/8"  | 12"          | 300 | 25 |
| AD-2412 | 1/2"  | 12"          | 300 | 25 |
| AD-2218 | 1/4"  | 18"          | 457 | 26 |
| AD-2318 | 3/8"  | 18"          | 457 | 26 |
| AD-2418 | 1/2"  | 18"          | 457 | 26 |

48 pieces in one carton



# AFTER MARKET SUPPORT

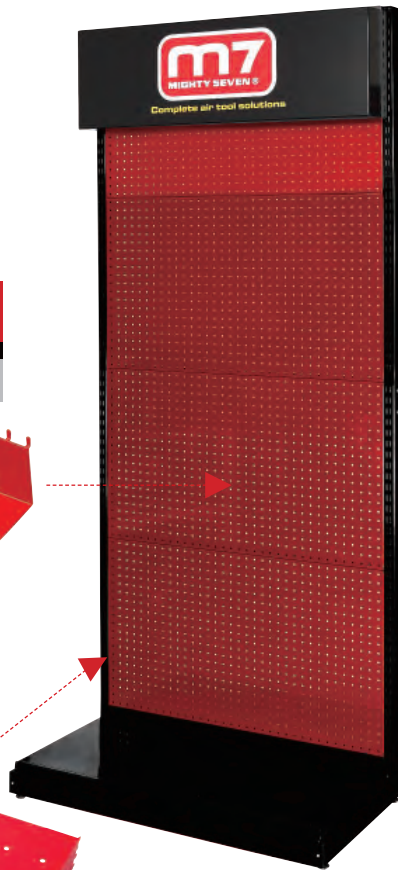
## AD-307

### Wall Type Display Stand

- Powder coating
- Attachment
- 1pc Brand Plate
- 2pcs Angled Steel Frame
- 2pcs Shelf
- 1pc Bottom Shelf
- 4pcs Steel Plate With Hole

Overall Size(mm)  
Width x Depth x Height

900 x 500 x 2230



## AD-306

### Table Type Display Stand

- 1 pc Transparent DM shelf
- 2 pcs support frame
- 1 pc Bottom shelf

Overall Size(mm)  
Width x Depth x Height

300 x 140 x 340



## AD-351

### Optional Item

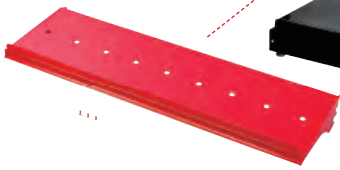


## AD-361

### Optional Item

Overall Size(mm)  
Width x Depth

280 x 910 mm



## AD-309 DISPLAY BOARD

1 pieces in one carton













- Nice m7 brand image is conducive to small space display hanging tools.

Overall Size(mm)  
Width x Depth x Height





725 x 14 x 900  
weight:11.5kg



## AD-35 Complete set of Tool Base

| Item No.  | Adaptor Type | Contents   |  |  |
|---|--------------|--|--|--|
|  AD-3501 | Europe       | <br>SY-211M | <br>AD-3521 |  AD-351 |
|  AD-3502 | Japan        | <br>SY-221M | <br>AD-3522 |  AD-351 |
|  AD-3503 | U.S.A        | <br>SY-231M | <br>AD-3523 |  AD-351 |

## AD-36 Complete set of Tool Base

| Item No.  | Adaptor Type | Contents   |  |   |
|---|--------------|--|--|---|
|  AD-3601 | Europe       | <br>SY-211M | <br>AD-3521 |  AD-305-41 |
|  AD-3602 | Japan        | <br>SY-221M | <br>AD-3522 |  AD-305-41 |
|  AD-3603 | U.S.A        | <br>SY-231M | <br>AD-3523 |  AD-305-41 |



# DISPLAY CASE

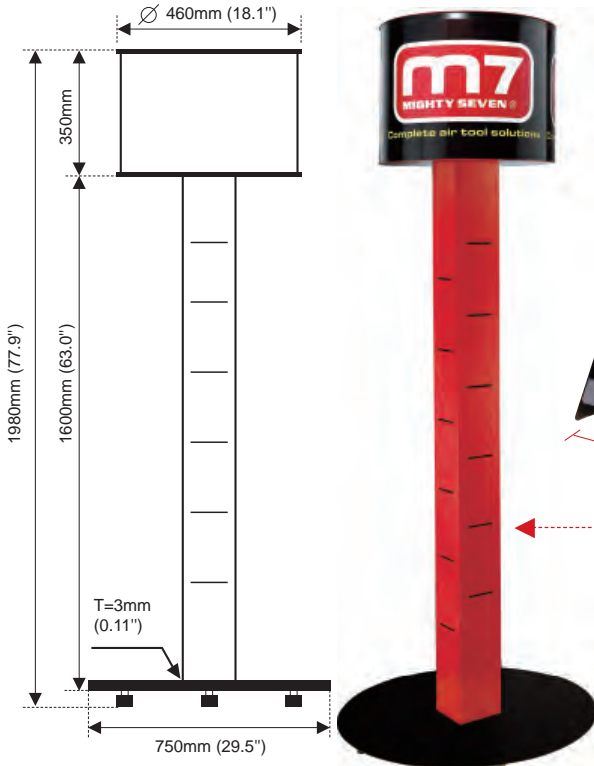
DISPLAY CASE

## AD-308

### Tower Type Display Stand

- 1 pc Transparent DM shelf
- 2 pcs support frame
- 1 pc Bottom shelf

| Contains                   | Package       |                 |           |          |
|----------------------------|---------------|-----------------|-----------|----------|
|                            | net weight kg | gross weight kg | length mm | width mm |
| Lamp Case Set              | 4.35          | 5.35            | 530       | 510 101  |
| Display Pillar             | 8.0           | 9.0             | 930       | 330 180  |
| Display Stand Bottom Plate | 10.45         | 11.45           | 810       | 820 70   |



## AD-201

### 1/2" DR. Socket Shelf Set



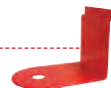
## SH-1001

### AIR TOOL HOLDER



## AD-305-41

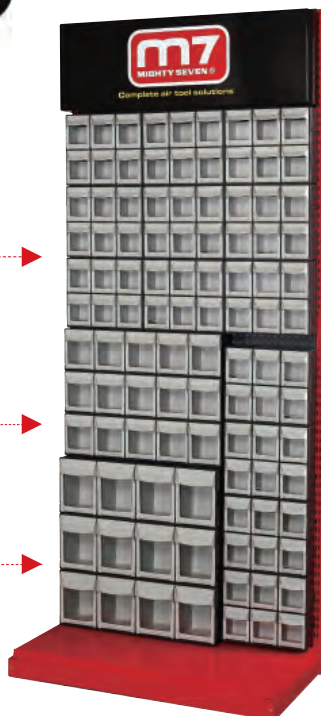
### Optional Item



## SF-306 / SF-604 SF-605

### Spare Parts Box

- greasy-resisting
- wearproof



## AD-431

### 1/2" DR. Socket Shelf Set



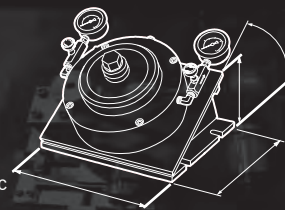
| Overall Size(mm)                          |
|---|
| Width x Depth x Height                    |
| SF-306 303 x 106 x 253 (11.8"x4.1"x10.1") |
| SF-604 603 x 167 x 203 (23.7"x6.5"x8")    |
| SF-605 603 x 123 x 153 (23.7"x4.8"x6")    |



# ACCESSORIES



**ZT-13-1** Forward  
**ZT-13-2** Reverse  
**TORQUE TEST MACHINE**



Torque testing for maintaining pneumatic impact wrenches

- Applicable Range: 50ft-lb~2000ft-lb(70Nm~2700Nm)
- Max. Torque: 3500 ft-lb(5000Nm)
- Applicable Size:SQ,DR-1/2" ~3/4"
- Measuring Direction:ZT-13-1Forward/ZT-13-2Reverse
- Screw Size:M32
- Length x Width:35cm\*30cm
- Weight:49KG



# ACCESSORIES

ACCESSORIES

## NON-VACCUM VELCRO

backing Face : velcro



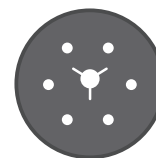
Bliester+Card

| ITEM NO. | SIZE | Max R.P.M |
|----------|------|-----------|
| QB-9302  | 2"   | 15000     |
| QB-9303  | 3"   | 15000     |
| QB-9305  | 5"   | 12000     |
| QB-9306  | 6"   | 12000     |



## SIX HOLE

backing Face :  
velcro & vinyl are both available



Bliester+Card

| ITEM NO.         | SIZE | Max R.P.M |
|------------------|------|-----------|
| QB-9315 (velcro) | 5"   | 12000     |
| QB-9355 (vinyl)  | 5"   | 10000     |
| QB-9316 (velcro) | 6"   | 12000     |
| QB-9356 (vinyl)  | 6"   | 12000     |



## NON-VACCUM VINYL

backing Face : vinyl



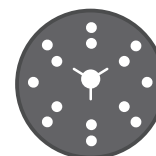
Bliester+Card

| ITEM NO. | SIZE | Max R.P.M |
|----------|------|-----------|
| QB-9345  | 5"   | 12000     |
| QB-9307  | 6"   | 12000     |



## FIFTEEN HOLE

backing Face :  
velcro & vinyl are both available



Bliester+Card

| ITEM NO.         | SIZE | Max R.P.M |
|------------------|------|-----------|
| QB-9327 (velcro) | 6"   | 12000     |
| QB-9366 (vinyl)  | 6"   | 12000     |



# QB-922 / QB-923

Roll On Holder

| ITEM NO. | SIZE | Max R.P.M | For m7 item NO.  |
|----------|------|-----------|------------------|
| QB-922   | 2"   | 30000     | QP-212<br>QP-213 |
| QB-923   | 3"   | 20000     | QP-223<br>QB-625 |



Bag+Card



**QB-922**  
2" Roll On Holder



**QB-923**  
3" Roll On Holder

# QB-9337M QB-9337S

7" Sanding Pad



| ITEM NO. | SIZE | Max R.P.M | Thread Size | For m7 item NO.  |
|----------|------|-----------|-------------|------------------|
| QB-9337M | 7"   | 15,000    | M14*2.0     | QP-307<br>OP-327 |
| QB-9337S | 7"   | 15,000    | 5/8"*11     | QP-317           |

# ACCESSORIES

ACCESSORIES

## PAD DIE Series

5 pcs / 1 SET

Use on QB-922 & QB-923



Bliester+Card

## SANDING Disc

5 pcs / 1 SET

Use on QB-922 & QB-923



Bliester+Card

| ITEM NO.     | SIZE      | PS.       | Max R.P.M | For m7 item NO.                        |
|--------------|-----------|-----------|-----------|--|
| QB-9702k-24  | 2"        | Grit:#24  | 30,000    | QP-212<br>QP-212N<br>QB-625<br>QB-0618 |
| QB-9702k-40  |           | Grit:#40  |           |  |
| QB-9702k-60  |           | Grit:#60  |           |  |
| QB-9702k-80  |           | Grit:#80  |           |  |
| QB-9702k-100 |           | Grit:#100 |           |  |
| QB-9702k-120 |           | Grit:#120 |           |  |
| QB-9702k-150 |           | Grit:#150 |           |  |
| QB-9702k-180 |           | Grit:#180 |           |  |
| QB-9702k-240 |           | Grit:#240 |           |  |
| QB-9703k-24  |           | 3"        |           |  |
| QB-9703k-40  | Grit:#40  |           |           |  |
| QB-9703k-60  | Grit:#60  |           |           |  |
| QB-9703k-80  | Grit:#80  |           |           |  |
| QB-9703k-100 | Grit:#100 |           |           |  |
| QB-9703k-120 | Grit:#120 |           |           |  |
| QB-9703k-150 | Grit:#150 |           |           |  |
| QB-9703k-180 | Grit:#180 |           |           |  |
| QB-9703k-320 | Grit:#320 |           |           |  |



| ITEM NO.   | SIZE | PS.               | R.P.M  | For m7 item NO.                        |
|------------|------|-------------------|--------|--|
| QB-9712-YL | 2"   | Yellow-coarse #80 | 30,000 | QP-212<br>QP-212N<br>QB-625<br>QB-0618 |
| QB-9712-RD | 2"   | Red-Medium #150   |        |  |
| QB-9712-BL | 2"   | Blue-Fine #300    |        |  |
| QB-9713-YL | 3"   | Yellow-coarse #80 |        |  |
| QB-9713-RD | 3"   | Red-Medium #150   |        |  |
| QB-9713-BL | 3"   | Blue-Fine #300    |        |  |



# QB-95 SERIES

Wool Bonnet PAD  
Available with



Bag+Card

| ITEM NO. | SIZE | PS.       | FOR ITEM                                 |
|----------|------|-----------|--|
| 0QB-9512 | 2"   | Velcro    | QB-9302<br>QB-9303<br>QB-9305<br>QB-9315 |
| 0QB-9513 | 3"   | Velcro    |  |
| 0QB-9515 | 5"   | Velcro    |  |
| 0QB-9517 | 7"   | Velcro    |  |
| 0QB-9507 | 7"   | Tie Cords |  |

# QB-94 SERIES

Sponge  
Available with QB-802



Bag+Card

| ITEM NO. | SIZE | PS.            | Thickness | FOR ITEM  |
|----------|------|----------------|-----------|---|
| 0QB-9402 | 2"   | Yellow / Rough | 25mm      | QB-9302<br>QB-9303<br>QB-9305<br>QB-9306<br>QB-9315<br>QB-9316<br>QB-9327 |
| 0QB-9422 | 2"   | White / Medium | 25mm      |   |
| 0QB-9403 | 3"   | Yellow / Rough | 25mm      |   |
| 0QB-9413 | 3"   | White / Medium | 25mm      |   |
| 0QB-9404 | 4"   | Yellow / Rough | 25mm      |   |
| 0QB-9424 | 4"   | White / Medium | 25mm      |   |
| 0QB-9405 | 5"   | Yellow / Rough | 25mm      |   |
| 0QB-9425 | 5"   | White / Medium | 25mm      |   |
| 0QB-9406 | 6"   | Yellow / Rough | 25mm      |   |
| 0QB-9426 | 6"   | White / Medium | 25mm      |   |
| 0QB-9407 | 7"   | Yellow / Rough | 25mm      |   |
| 0QB-9427 | 7"   | White / Medium | 25mm      |   |

# QB-9712K / QB-9713K

Stripping Disc  
Use on QB-922 & QB-923  
Roll-on holder



5 pcs / 1 SET

| Item NO. | SIZE | R.P.M  |
|----------|------|--------|
| QB-9712K | 2"   | 15,000 |
| QB-9713K | 3"   | 15,000 |



Bag+Card

# QB-9434 FOR GLOBAL QB-9434U FOR USA ONLY

Eraser Wheel  
Available with  
QB-812T



# QB-9444 FOR GLOBAL QB-9444U FOR USA ONLY

Eraser Wheel  
Available with  
QB-802 QB-812



# ACCESSORIES

## QB-9211 [SET]

Grinder Stone Set  
(3mm Shank)

Available with  
QA-633Q QA-611 QA-632Q  
QA-111 QA-211 QA-231Q  
QA-311 QA-313 QA-315



Bliester+Card

## QB-9213 [SET]

Grinder Stone Set  
(6mm Shank)

Available with  
m7 ALL AIR DIE GRINDER



Bliester+Card

## QB-911 Series QB-912 Series

Abrasive Cloth Belt

QB-91108

QB-91110

Available with  
for QB-311 / QB-321



QB-91208

QB-91210

Available with  
for QB-312 / QB-322 / QB-322C





Bag+Card

| ITEM NO. | Belt Size         |   | For m7 item NO.             |
|----------|-------------------|---|-----------------------------|
| QB-91108 | 10mm x 330mm #80  | 10Pcs/1 Set   | QB-311<br>QB-321            |
| QB-91110 | 10mm x 330mm #100 | 10Pcs/1 Set   |                             |
| QB-91208 | 20mm x 520mm #80  | 10Pcs/1 Set   | QB-322<br>QB-322C<br>QB-312 |
| QB-91210 | 20mm x 520mm #100 | 10Pcs/1 Set   |                             |

## QB-904/QB-905/QB-907

Grinding Wheel Materials: Aluminum Oxide





| ITEM NO. | Specifcation                             |   | For m7 item NO.   |
|----------|--|---|---|
| 0QB-904  | 100 x 6 x16<br>4" x 1/4" x 5/8"<br>102mm | 25 / 200  | (QB-904) : QB-104 QB-114<br>QB-124 QB-134 QB-144<br>QB-154 QB-164 QB-194<br>QB-194N QB-194L<br>QB-7114<br>(QB-905) : QB-115 QB-125<br>QB-135 QB-145 QB-155<br>QB-165 QB-185 QB-195<br>QB-7115<br>(QB-907) : QB-107 QB-117<br>QB-177 QB-187 QB-197 |
| 0QB-905  | 125 x 6 x22<br>5" x 1/4" x 7/8"<br>127mm | 25 / 200  |   |
| 0QB-907  | 180 x 6 x22<br>7" x 1/4" x 7/8"<br>128mm | 25 / 200  |   |

## QB-913 QB-914

Cut-off Wheel



| ITEM NO. | Specifcation                              |   | For m7 item NO.                     |
|----------|---|---|-------------------------------------|
| 0QB-913  | 75 x 1.5 x10<br>3" x 16" x 3/8"<br>76mm   | 25 / 200  | QC-213/ QC-213T<br>QC-253           |
| 0QB-914  | 100 x 1.5 x10<br>4" x 16" x 3/8"<br>102mm | 25 / 200  | QC-213 / QC-213T<br>QC-253 / QC-264 |

## QD-932P

32T Saw Blade  
Bi-Metal Material  
Available with  
QD-221 QD-291



10 pcs / box

Bliester+Card

## QD-924P

24T Saw Blade  
Bi-Metal Material  
Available with  
QD-221 QD-291



10 pcs / box

Bliester+Card

## SC-415P CHISEL SET SC-425P CHISEL SET

● SC-415 - Chisel Set / 175mmL / Round  
● SC-425 - Chisel Set / 175mmL / Hex  
Available with  
SC-331C SC-341C SC-332C SC-342C  
SC-211C SC-221C SC-212C SC-222C



Flat Chisel



Cutting Chisel



Tapered Punch



Ripping Chisel



Tail Pipe Cutter

Bliester+Card

## QK-Series

Air Knife

For QK-111

QK-111-P51 QK-111-P52

QK-111-P53

QK-111-P54

QK-111-P50



QK-2036

QK-2063

QK-2090



## SN-124 SN-128 SN-268 SN-288



Box

Needle Set  
SN-288  
(12 Needle Set) 3 x125mm  
Available with  
SN-1288

SN-124  
(24 Needle Set) 3 x180mm  
Available with  
SN-2124

SN-268  
(19 Needle Set) 3 x180mm  
Available with  
SN-1268 / 2110 / 1368

SN-128  
(28 Needle Set) 3  
x180mm Available with  
SN-2128

## QM-901

Universal repairing Kit for  
auto Transmission shaft boot  
Available with QM-1125



## SC-2A

Retainer



## SC-2B

Quick Change Retainer

Available with  
For SC-21/SC-22 SC-31/SC-34 SERIES



## QD-905P

4 Pieces File Set Clamshell Pack

20 pieces in one carton

For QD-291 / 230

Bliester+Card



Ø5.0mm

## QD-906P

5 Pieces File Set Clamshell Pack

20 pieces in one carton

For QD-221

Bliester+Card



Ø4.0mm

## PC-901

Adjustable Torque Air Tapping Adapter  
HEX:8mm



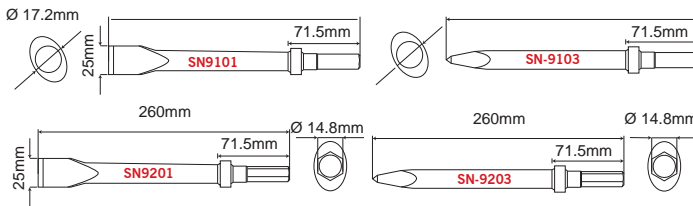
For: Air Drill, Electricity Drill, Cordless Drill  
, Drill machine

Paper Package



# ACCESSORIES

## SN-9101/9103 SN-9201/9203



## CHISEL

For SN-31/SC-32 SERIES



## PA-MC

Automatic Mandrel Collection

### CAPACITY

|               |        |
|---------------|--------|
| 3/32" (2.4mm) | 220pcs |
| 1/8" (3.2mm)  | 160pcs |
| 5/32" (4.0mm) | 110pcs |
| 3/16" (4.8mm) | 80pcs  |



## PE-MC

Automatic Mandrel Collection

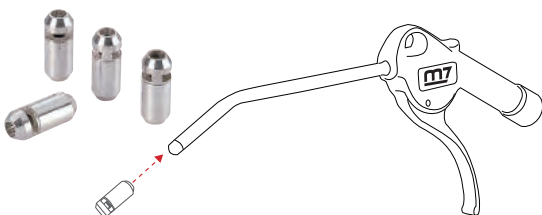


## JC-491

Standard Safety Tip

Available with

JC-491 for JC-405 JC-410 JC-412 JC-424 JC-435



## SW-12(1/4") SW-13(3/8")

Mini Lubricator

Install on the air inlet to provide automatic lubrication.

8c.c. Lubricating oil capacity.



Bliester+Card

## NC-4255PVC

Protective boot



The NC-4255-PVC Protective boot

can apply on NC-4255 & NC-6255

Bag+Card

## MA-412M1719



Double Sided Socket

2" Extended Anvil matching special double sided socket 17mm&19mm specifically for automotive tyres.

## MA-412S2426



Double Sided Socket

2" Extended Anvil matching special double sided socket 24mm&26mm specifically for automotive tyres.

## MA-412M2122



Double Sided Socket

2" Extended Anvil matching special double sided socket 21mm&22mm specifically for automotive tyres.

## PA-9048

4.8mm (3/16") Riveter Adaptor

## PA-9064

6.35mm (1/4") Riveter Adaptor

## PB-9006

M6 Rivet Nut Adaptor

## PB-9010

M10 Rivet Nut Adaptor



### Assembling and Using Before first Use

Remove the unit and the accessory out of the packaging . keep packaging materials Out of reach of children.there is risk of suffocation



### Technical Data

#### PA-9064

|                      |                                   |
|----------------------|-----------------------------------|
| Dimensions           | 59mm x173mm(2-11/32 x 6-3/4 inch) |
| Net Weight           | 330g=0.73 lbs                     |
| Gross Weight         | 500g=1.10 lbs                     |
| Nosepiece            | 3.2mm(1/8), 4.0mm(5/32)           |
| Nosepiece            | 4.8mm(3/16),6.4mm(1/4)            |
| Hex Shank            | 1/4" (6.35 mm)                    |
| Cordless Drill       | 14.4V ,18V                        |
| Cordless Drive       | 14.4V ,18V                        |
| Reversible electric  | 1/2"Drill                         |
| Reversible pneumatic | 1/2"Drill                         |
| Min. Torque Strength | 50 Nm = 37 ft/lbs                 |
| Max. rpm             | 1,000 rpm                         |

|                 |                      |
|-----------------|----------------------|
| 1. Hex Shank    | 1/4 (6.35 mm)        |
| 2. Housing      | PA+GF                |
| 3. Nosepiece    | 3.2, 4.0, 4.8, 6.4mm |
| 4. Sight Window | Blind Rivet Loading  |
| 5. Wrench       | 1PC                  |
| 6. Handle       | 1PC                  |

#### PA-9048

|                      |                                    |
|----------------------|------------------------------------|
| Dimensions           | 59mm x158mm(2-11/32 x 6-3/16 inch) |
| Net Weight           | 318g=0.70 lbs                      |
| Gross Weight         | 368g=0.81 lbs                      |
| Nosepiece            | 2.4mm(3/32),3.2mm(1/8)             |
| Nosepiece            | 4.0mm(5/32),4.8mm(3/16)            |
| Hex Shank            | 1/4" (6.35 mm)                     |
| Cordless Drill       | 12V 14.4V 18V                      |
| Cordless Drive       | 12V 14.4V 18V                      |
| Reversible electric  | 3/8"Drill                          |
| Reversible pneumatic | 3/8"Drill                          |
| Min. Torque Strength | 11 Nm = 8 ft/lbs                   |
| Max. rpm             | 1,000 rpm                          |

|                |                             |
|----------------|-----------------------------|
| 1 Hex Shank    | 1/4 (6.35 mm)               |
| 2 Housing      | PA+GF                       |
| 3 Nosepiece    | 2.4mm , 3.2mm, 4.0mm, 4.8mm |
| 4 Sight Window | Blind Rivet Loading         |
| 5 Wrench       | 1PC                         |

#### PB-9006

|                      |                                  |
|----------------------|----------------------------------|
| Dimensions           | 59mm x172mm(2-11/32" x 6-25/32") |
| Weight               | 280g=0.62 lbs                    |
| Nosepiece            | M3 M4 M5 M6                      |
| Hex Shank            | 1/4" (6.35 mm)                   |
| Cordless Drill       | 12V 14.4V                        |
| Cordless Drive       | 12V 14.4V                        |
| Reversible electric  | Drill (Advice 500W)              |
| Reversible pneumatic | Drill (Advice 3/8")              |
| Min. Torque Strength | 15 Nm = 11 ft/lbs                |
| Max. rpm             | 1000 rpm                         |

#### PB-9010

|                      |                                 |
|----------------------|---------------------------------|
| Dimensions           | 59mm x180mm(2-11/32" x 7-3/32") |
| Weight               | 350g=0.77 lbs                   |
| Nosepiece            | M6 M8 M10                       |
| Hex Shank            | 1/4" (6.35 mm)                  |
| Cordless Drill       | 14.4V                           |
| Cordless Drive       | 18V                             |
| Reversible electric  | Drill (Advice 500W)             |
| Reversible pneumatic | Drill (Advice 1/2")             |
| Min. Torque Strength | 100 Nm = 73.7 ft/lbs            |
| Max. rpm             | 800 rpm                         |

# ACCESSORIES

ACCESSORIES

## QB-9303K04

3" Sander/Buffer Versatility KIT  
Thread: 5/16"x24  
MAX : 15000 R.P.M  
For QP-113 QP-123 QP-213 QP-223



Blister+Card

CONTENTS:  
3" Sanding Pad x 1PC  
3" Foam Yellow x 1PC  
3" Foam White x 1PC  
3" wool Bonnet x 1PC  
MAX RPM: 15000  
Backing Face :  
Velcro available

## QB-974K12

2"&3" Surface Sanding KIT  
2" MAX : 30000 R.P.M  
3" MAX : 20000 E.P.M  
For QP-212 QP-213 QP-223 QB-625



Blister+Card

SHANK TYPE  
QB-974K12A: 6mm  
QB-974K12B: 1/4"

CONTENTS:  
Shank x 2 pcs (A or B)  
2" Rollon Holder x 1PC  
3" Rollon Holder x 1PC  
2" Sanding Disk x 4PCS  
3" Sanding Disk x 4PCS

## QB-9742K12

2" Surface Sanding KIT  
MAX : 30000 R.P.M  
For QP-212 QP-213 QP-223 QB-625



Blister+Card

SHANK TYPE  
QB-9742K12A: 6mm  
QB-9742K12B: 1/4"

CONTENTS:  
Shank x 1 PC (A or B)  
2" Rollon Holder x 1PC  
2" Pad Die x 6PCS  
2" Sanding Disc x 3PCS  
2" Stripping Disc x 1PC

## QB-9743K12

3" Surface Sanding KIT  
MAX : 20000 R.P.M  
For QP-212 QP-213 QP-223 QB-625



Blister+Card

SHANK TYPE  
QB-9743K12A: 6mm  
QB-9743K12B: 1/4"

CONTENTS:  
Shank x 1 PC (A or B)  
3" Rollon Holder x 1PC  
3" Pad Die x 6PCS  
3" Sanding Disc x 3PCS  
3" Stripping Disc x 1PC

## QB-9742K20

2" Surface Sanding KIT  
MAX : 30000 R.P.M  
For QP-212 QP-213 QP-223 QB-625



Blister+Card

SHANK TYPE  
QB-9742K20A: 6mm  
QB-9742K20B: 1/4"

CONTENTS:  
Shank x 1 PC (A or B)  
2" Rollon Holder x 1PC  
2" Pad Die x 15PCS  
2" Sanding Disc x 3PCS

## QB-9743K20

3" Surface Sanding Kit

MAX : 20000 R.P.M

For QP-212 QP-213 QP-223 QB-625



Bliester+Card

SHANK TYPE  
 QB-9743K20A:6mm  
 QB-9743K20B:1/4"

CONTENTS:  
 Shank x 1 PC (A or B)  
 3"Rollon Holder x 1PC  
 3"Pad Die x 15PCS  
 3"Sanding Disc x 3PCS

## QB-9762K07

2"Surface Pad Conditioning Disc Kit

MAX : 20000 R.P.M

For QP-113 QP-123 QP-213 QP-223



Bliester+Card

SHANK TYPE  
 QB-9762K07A:6mm  
 QB-9762K07B:1/4"

CONTENTS:  
 Shank x 1 PC (A or B)  
 2"Stripping Disc x 2PCS

2"Conditioning Disc:  
 Red x 2PCS  
 Grey X 2PCS

## QB-9752K07

2" Felt Pad Conditioning Disc Kit

MAX : 20000 R.P.M

For QP-113 QP-123 QP-213 QP-223



Bliester+Card

SHANK TYPE  
 QB-9752K07A:6mm  
 QB-9752K07B:1/4"

CONTENTS:  
 2"Felt Pad x 6PCS

## QB-9773K19

3" Polishing Sponge Kit

MAX : 15000 R.P.M

For QP-113 QP-123 QP-213 QP-223



Bliester+Card

SHANK TYPE  
 QB-9773K19A:6mm  
 QB-9773K19B:1/4"

CONTENTS:  
 Shank x 1 PC (A or B)  
 3"Sanding Pad x 1PC  
 3"Sanding Sponge x6PCS  
 3"Sanding Paper x10PCS  
 3"Polishing Sponge x2PCS

# AIR ADAPTOR QUICK COUPLINGS



**SY-2001M**  
360° Rotatable Adaptor  
Air inlet 1/4"



**SY-2002M**  
Air Regulator & 360°  
Rotatable Adaptor  
Air inlet 1/4"

## SY-M SY-F Air Adaptor / Quick Couplings

| Item No.           | Thread Type    | Thread Size        | Type   | Picture |
|--------------------|----------------|--------------------|--------|---------|
| SY-211M<br>SY-211F | Male<br>Female | 1/4" PT            | Europe |         |
| SY-221M<br>SY-321M | Male           | 1/4" PT<br>3/8" PT | Japan  |         |
| SY-221F<br>SY-321F | Female         | 1/4" PT<br>3/8" PT |        |         |
| SY-231M<br>SY-231F | Male<br>Female | 1/4" NPT           | U.S.A  |         |
| SY-251M<br>SY-351M | Male           | 1/4" PT<br>3/8" PT | France |         |
| SY-251F<br>SY-351F | Female         | 1/4" PT<br>3/8" PT |        |         |



| Item No.           | Thread Type    | Thread Size        | Type   | Picture |
|--------------------|----------------|--------------------|--------|---------|
| SY-210M<br>SY-210F | Male<br>Female | 1/4" PT            | Europe |         |
| SY-220M<br>SY-320M | Male           | 1/4" PT<br>3/8" PT | Japan  |         |
| SY-220F<br>SY-320F | Female         | 1/4" PT<br>3/8" PT |        |         |
| SY-230M<br>SY-230F | Male<br>Female | 1/4" NPT           | U.S.A  |         |

## Two - stage safety quick connector structure.

- The joint can be discouraged in two sections.
- The joint structure can quickly distinguish.

| Item No.             | Thread Type    | Thread Size | Type   | Picture |
|----------------------|----------------|-------------|--------|---------|
| SY-210SM<br>SY-210SF | Male<br>Female | 1/4" PT     | Europe |         |
| SY-220SM<br>SY-220SF | Male<br>Female | 1/4" PT     | Japan  |         |
| SY-230SM<br>SY-230SF | Male<br>Female | 1/4" PT     | U.S.A  |         |
| SY-250SM<br>SY-250SF | Male<br>Female | 1/4" PT     | France |         |


### Safety lock ratchet structure

| Item No.                 | Thread Type    | Thread Size | Type             | Picture  |
|--------------------------|----------------|-------------|------------------|--|
| SY-210SM-L<br>SY-210SF-L | Male<br>Female | 1/4" PT     | Europe<br>France |  |
| SY-220SM-L<br>SY-220SF-L | Male<br>Female | 1/4" PT     | Japan            |  |

### Composte Quick Coupling

| Item No.                         | Thread Type | Thread Size                 | Type            | Picture  |
|----------------------------------|-------------|-----------------------------|-----------------|--|
| SY-0213M<br>SY-0313M<br>SY-0413M | Male        | 1/4" PT<br>3/8 PT<br>1/2 PT | Europe          |  |
| SY-0223M<br>SY-0323M<br>SY-0423M |             | 1/4" PT<br>3/8 PT<br>1/2 PT | Japan           |  |
| SY-0233M<br>SY-0333M<br>SY-0433M |             | 1/4" PT<br>3/8 PT<br>1/2 PT | U.S.A<br>France |  |

| Item No.                         | Thread Type | Thread Size                 | Type            | Picture   |
|----------------------------------|-------------|-----------------------------|-----------------|---|
| SY-1213F<br>SY-1313F<br>SY-1413F | Female      | 1/4" PT<br>3/8 PT<br>1/2 PT | Europe          |  |
| SY-1223F<br>SY-1323F<br>SY-1423F |             | 1/4" PT<br>3/8 PT<br>1/2 PT | Japan           |   |
| SY-1233F<br>SY-1333F<br>SY-1433F |             | 1/4" PT<br>3/8 PT<br>1/2 PT | U.S.A<br>France |   |

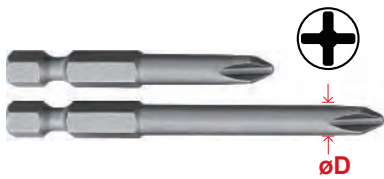
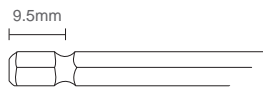
| Item No.                         | Thread Type | Thread Size                    | Type            | Picture  |
|----------------------------------|-------------|--------------------------------|-----------------|--|
| SY-2213P<br>SY-2313P<br>SY-2413P | ----        | 5X8 PU<br>6.5X10 PU<br>8X12 PU | Europe          |  |
| SY-2223P<br>SY-2323P<br>SY-2423P |             | 5X8 PU<br>6.5X10 PU<br>8X12 PU | Japan           |  |
| SY-2233P<br>SY-2333P<br>SY-2433P |             | 5X8 PU<br>6.5X10 PU<br>8X12 PU | U.S.A<br>France |  |

| Item No.                                     | Thread Type | Thread Size                                       | Type            | Picture  |
|--|-------------|---|-----------------|--|
| SY-3113H<br>SY-3213H<br>SY-3313H<br>SY-3413H | ----        | 10SH 1/4"<br>20SH 5/16"<br>30SH 3/8"<br>40SH 1/2" | Europe          |  |
| SY-3123H<br>SY-3223H<br>SY-3323H<br>SY-3423H |             | 10SH 1/4"<br>20SH 5/16"<br>30SH 3/8"<br>40SH 1/2" | Japan           |  |
| SY-3133H<br>SY-3233H<br>SY-3333H<br>SY-3433H |             | 10SH 1/4"<br>20SH 5/16"<br>30SH 3/8"<br>40SH 1/2" | U.S.A<br>France |  |

# POWER BIT

## 1/4" POWER BIT

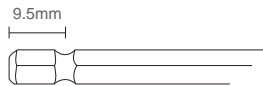
(PHILLIPS HEAD)



| "OVERALL LENGTH(mm)" | SIZE | ITEM NO.   | øD(mm) |
|----------------------|------|------------|--------|
| 50                   | 0    | MD10150P0A | 3      |
|                      | 1    | MD10150P1A | 4.5    |
|                      | 2    | MD10150P2A | 6      |
|                      | 3    | MD10150P3A | 6      |
| 70                   | 1    | MD10170P1A | 4.5    |
|                      | 2    | MD10170P2A | 6      |
|                      | 3    | MD10170P3A | 6      |

## 1/4" POWER BIT

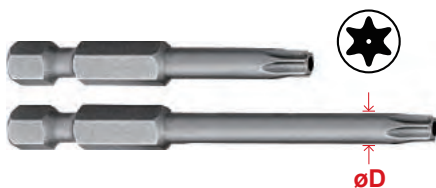
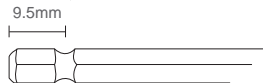
(POZIDIV HEAD)



| "OVERALL LENGTH(mm)" | SIZE | ITEM NO.   | øD(mm) |
|----------------------|------|------------|--------|
| 50                   | 0    | MD10150Z0A | 3      |
|                      | 1    | MD10150Z1A | 4.5    |
|                      | 2    | MD10150Z2A | 6      |
|                      | 3    | MD10150Z3A | 6      |
| 70                   | 1    | MD10170Z1A | 4.5    |
|                      | 2    | MD10170Z2A | 6      |
|                      | 3    | MD10170Z3A | 6      |

## 1/4" POWER BIT

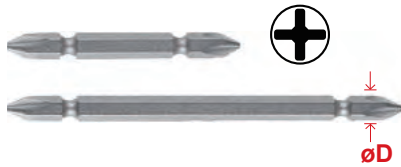
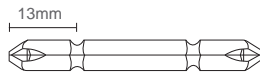
(STAR TAMPER HEAD)



| "OVERALL LENGTH(mm)" | SIZE         | ITEM NO.     | øD(mm) |
|----------------------|--------------|--------------|--------|
| 50                   | 6            | MD10150TT06A | 3.2    |
|                      | 7            | MD10150TT07A | 3.2    |
|                      | 8            | MD10150TT08A | 3.2    |
|                      | 9            | MD10150TT09A | 3.2    |
|                      | 10           | MD10150TT10A | 4      |
|                      | 15           | MD10150TT15A | 4      |
|                      | 20           | MD10150TT20A | 4.8    |
|                      | 25           | MD10150TT25A | 4.8    |
|                      | 27           | MD10150TT27A | 6      |
|                      | 30           | MD10150TT30A | 6      |
|                      | 40           | MD10150TT40F | 6.3    |
| 70                   | 6            | MD10170TT06A | 3.2    |
|                      | 7            | MD10170TT07A | 3.2    |
|                      | 8            | MD10170TT08A | 3.2    |
|                      | 9            | MD10170TT09A | 3.2    |
|                      | 10           | MD10170TT10A | 4      |
|                      | 15           | MD10170TT15A | 4      |
|                      | 20           | MD10170TT20A | 4.8    |
|                      | 25           | MD10170TT25A | 4.8    |
|                      | 27           | MD10170TT27A | 6      |
|                      | 30           | MD10170TT30A | 6      |
|                      | 40           | MD10170TT40F | 6.3    |
| 45                   | MD10170TT45E | 8            |        |
| 50                   | MD10170TT50E | 9.1          |        |

# 1/4" POWER BIT

(DOUBLE PHILLIPS HEAD)



| "OVERALL LENGTH(mm)" | SIZE | ITEM NO.      |
|----------------------|------|---------------|
| 65                   | 1    | MD10165P1P1A  |
|                      | 2    | MD10165P2P2A  |
|                      | 3    | MD10165P3P3A  |
| 110                  | 1    | MD101110P1P1A |
|                      | 2    | MD101110P2P2A |
|                      | 3    | MD101110P3P3A |

# 1/4" POWER BIT

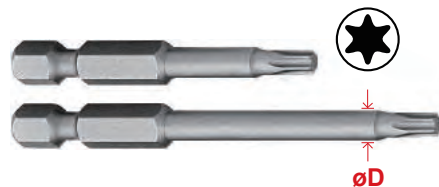
(HEX HEAD)



| "OVERALL LENGTH(mm)" | A(mm) | ITEM NO.     |
|----------------------|-------|--------------|
| 50                   | 1.5   | MD10150H015A |
|                      | 2     | MD10150H020A |
|                      | 2.5   | MD10150H025A |
|                      | 3     | MD10150H030A |
|                      | 4     | MD10150H040A |
|                      | 5     | MD10150H050A |
|                      | 6     | MD10150H060F |
|                      | 7     | MD10150H070E |
|                      | 8     | MD10150H080E |
|                      | 10    | MD10150H100E |
| 70                   | 1.5   | MD10170H015A |
|                      | 2     | MD10170H020A |
|                      | 2.5   | MD10170H025A |
|                      | 3     | MD10170H030A |
|                      | 4     | MD10170H040A |
|                      | 5     | MD10170H050A |
|                      | 6     | MD10170H060F |
|                      | 7     | MD10170H070E |
|                      | 8     | MD10170H080E |
|                      | 10    | MD10170H100E |

# 1/4" POWER BIT

(STAR HEAD)



| "OVERALL LENGTH(mm)" | SIZE | ITEM NO.    | $\varnothing D$ (mm) |     |
|----------------------|------|-------------|----------------------|-----|
| 50                   | 6    | MD10150T06A | 3.2                  |     |
|                      | 7    | MD10150T07A | 3.2                  |     |
|                      | 8    | MD10150T08A | 3.2                  |     |
|                      | 9    | MD10150T09A | 3.2                  |     |
|                      | 10   | MD10150T10A | 4                    |     |
|                      | 15   | MD10150T15A | 4                    |     |
|                      | 20   | MD10150T20A | 4.8                  |     |
|                      | 25   | MD10150T25A | 4.8                  |     |
|                      | 27   | MD10150T27A | 6                    |     |
|                      | 30   | MD10150T30A | 6                    |     |
|                      | 40   | MD10150T40F | 7                    |     |
|                      | 45   | MD10150T45E | 8                    |     |
|                      | 50   | MD10150T50E | 9.1                  |     |
|                      | 70   | 6           | MD10170T06A          | 3.2 |
|                      |      | 7           | MD10170T07A          | 3.2 |
| 8                    |      | MD10170T08A | 3.2                  |     |
| 9                    |      | MD10170T09A | 3.2                  |     |
| 10                   |      | MD10170T10A | 4                    |     |
| 15                   |      | MD10170T15A | 4                    |     |
| 20                   |      | MD10170T20A | 4.8                  |     |
| 25                   |      | MD10170T25A | 4.8                  |     |
| 27                   |      | MD10170T27A | 6                    |     |
| 30                   |      | MD10170T30A | 6                    |     |
| 40                   |      | MD10170T40F | 7                    |     |
| 45                   |      | MD10170T45E | 8                    |     |
| 50                   |      | MD10170T50E | 9.1                  |     |



# MERCHANDISE

## ZC-201

T-shirt



## ZC-501



| SIZE | S   | M   | L  | XL | 2XL |
|------|-----|-----|----|----|-----|
|      | 3XL | 4XL | 3L | 4L | 5L  |

## ZB-9156

LED Pen light



LED x 4pcs  
No. 4 battery x 3pcs included

## ZB-812

Anti-vibration Glove



**Palm length :**  
Distance between middle finger to bottom of the palm

**Palm width :**  
Distance between left side and right side of the palm

CE EN388 2121X

| Item Description | length(cm) | wide(cm) |
|------------------|------------|----------|
| M                | 21.3       | 10.5     |
| L                | 22         | 11       |
| XL               | 22.7       | 11.5     |
| XXL              | 23.4       | 12       |

## ZB-814

Cut Resistant Gloves Protection and Safety Blades to hand protection Mitts



## ZC-202-1

Baseball Cap



## ZC-203

Sports Cap



## ZB-306

Pen(Stylus)

• Pen with touch function



## ZB-307

Pen



## ZB-604

USB drive

• 8GB USB Flash Drive



**ZF-01**

WING PROTECTOR COVER



**ZF-02**

WING PROTECTOR COVER



**ZC-111**

TOOL Bag  
37\*24\*23cm



**ZC-112**

TOOL Bag  
(rubber base)  
40\*22\*30cm



**ZC-107**

Bag



Watch  
**ZG-101**



**ZE-03**



**ZH-104**



**ZC-303**

Stickers



Stickers



## User's Manual of Air Impact Wrench

### Working environment:

- Using these tools in any potentially explosive environment is strictly prohibited.
- It is always recommended that these types of tools must be operated when standing on a solid or firm location.
- Always use these tools in a well ventilated area.
- Slipping, stumbling and falling are the major causes of potential serious injury, therefore, a clean and clutter free surface in the working area before operating the tools is strongly recommended.

### Air supply and connection requirements:

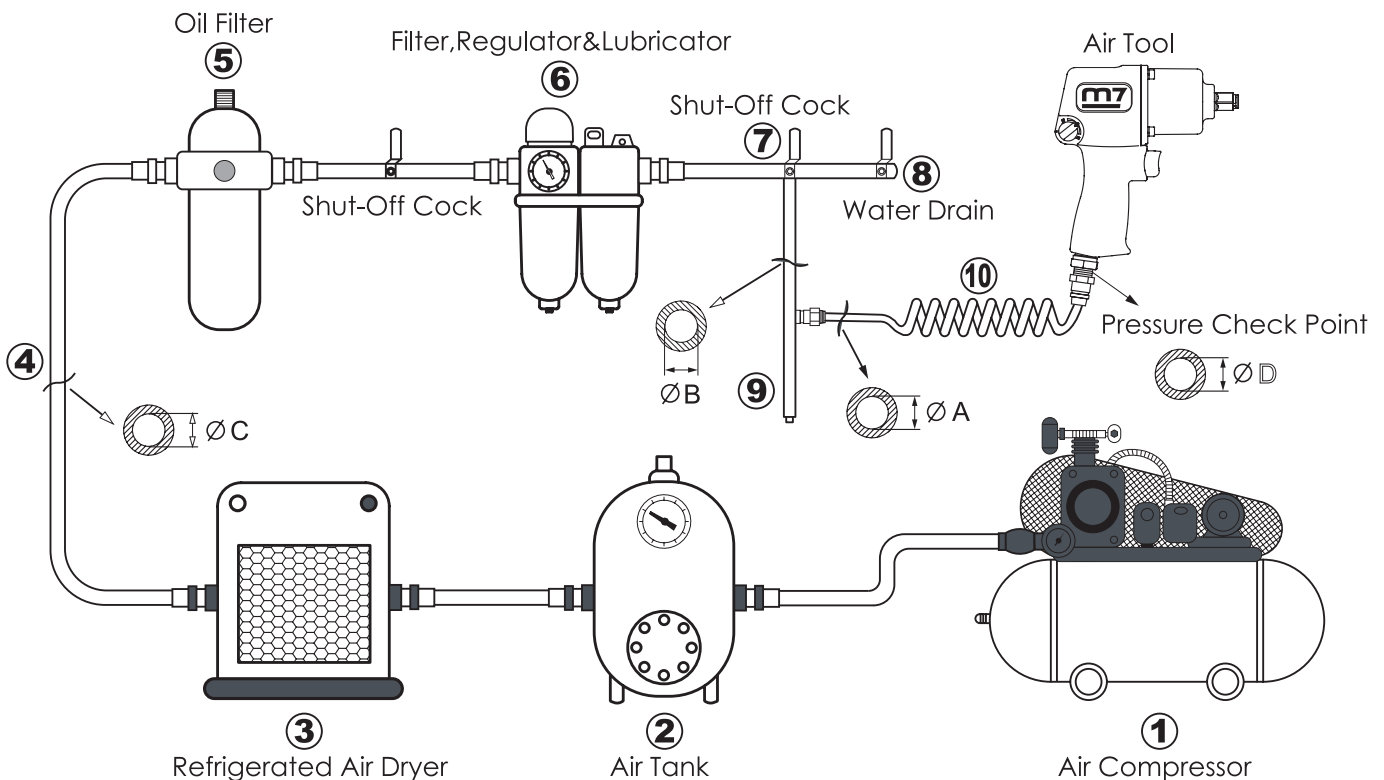
- The maximum recommended air pressure during operation must not exceed 90 psi (6.3bar). Higher air pressure may create unsafe operating conditions for the tool and the user.
- The compressed air should be cooled and have a water filter installed at the outlet end of the compressor. Even with a water filter installed, some water may still condense in the piping or hose and will enter the tool mechanism causing premature damage to the tool. Therefore, it is recommended to install an air filter-lubricator device somewhere between the tool and the compressor.
- Always use an air compressor of the proper capacity to operate each tool.
- Clean the hose with a blast of compressed air before connecting the hose to the air tool. This will prevent both moisture and dust inside the hose from entering the tool and causing possible rust or malfunction.

## Air Tool Repair Kits



M7 provides specialized repairing tools for your after market need

### Ideal system connection



### Piping diameters and length requirement:

- The diameter  $\Phi A$  required for the inlet pipe ⑩ is recommended on the specification table.
- The diameter  $\Phi B$  required for the branch pipe (from ⑦ to ⑨) should be 2 times as large as  $\Phi A$ .  $\Phi B = 2 \times \Phi A$
- The diameter  $\Phi C$  required for the primary air supply (from ① to ⑧) should be 3 times as large as  $\Phi A$ .  $\Phi C = 3 \times \Phi A$
- The length for the inlet pipe ⑩ should be less than 15 feet (4.5m).

## IMPACT WRENCH

| Problem (phenomenon)   | Possible Cause  | Recommended solution   |
|--|---|--|
| <ol style="list-style-type: none"> <li>1. The tool runs automatically or tool will not shut off.</li> <li>2. Torque decreases slightly.</li> <li>3. Sound of air leaking.</li> </ol> | <ol style="list-style-type: none"> <li>1. Dust jam.</li> </ol>  | <ol style="list-style-type: none"> <li>1. Clean and remove the dust from the air inlet.</li> <li>2. Clean the throttle valve.</li> <li>3. Apply a few drops of recommended pneumatic oil into the air inlet.</li> <li>4. Pull the trigger and run for several seconds to get rid of the dust.</li> </ol> |
| <ol style="list-style-type: none"> <li>1. Severe torque loss, but will still run at full free speed,</li> <li>2. Tool will not run.</li> </ol>                                       | <ol style="list-style-type: none"> <li>1. The rotor blades may be damaged,</li> <li>2. The screws may be loose.</li> <li>3. The reverse button (knob) may be out off position.</li> <li>4. Some component(s) in motor housing or hammer housing may be worn off.</li> </ol> | <ol style="list-style-type: none"> <li>1. Check and replace new ones, if necessary.</li> <li>2. Tighten all loose screws.</li> <li>3. Adjust the button.</li> <li>4. Check and replace them, if necessary.</li> </ol>  |
| <ol style="list-style-type: none"> <li>1. Air leaks from hammer housing or rear cover.</li> </ol>  | <ol style="list-style-type: none"> <li>1. The screws may be loose.</li> <li>2. The gasket seal may be broken.</li> </ol>  | <ol style="list-style-type: none"> <li>1. Tighten all loose screws.</li> <li>2. Replace it.</li> </ol>   |

**Note:** The consumable parts are the rotor blades, anvil and hammer.

## RATCHET WRENCH

| Problem (phenomenon)   | Possible Cause  | Recommended solution   |
|--|---|--|
| <ol style="list-style-type: none"> <li>1. The tool runs automatically or tool will not shut off.</li> <li>2. Torque decreases slightly.</li> <li>3. Sound of air leaking.</li> </ol> | <ol style="list-style-type: none"> <li>1. Dust jam.</li> </ol>  | <ol style="list-style-type: none"> <li>1. Clean and remove the dust from the air inlet.</li> <li>2. Clean the throttle valve.</li> <li>3. Apply a few drops of recommended pneumatic oil into the air inlet.</li> <li>4. Pull the trigger and run for several seconds to get rid of the dust.</li> </ol> |
| <ol style="list-style-type: none"> <li>1. Severe torque loss, but will still run at full free speed,</li> <li>2. Tool will not run.</li> </ol>                                       | <ol style="list-style-type: none"> <li>1. The rotor blades may be damaged,</li> <li>2. The screws may be loose.</li> <li>3. The reverse button (knob) may be out off position.</li> <li>4. Some component(s) in motor housing or hammer housing may be worn off.</li> </ol> | <ol style="list-style-type: none"> <li>1. Check and replace new ones, if necessary.</li> <li>2. Tighten all loose screws.</li> <li>3. Adjust the button.</li> <li>4. Check and replace them, if necessary.</li> </ol>  |

**Note:** The consumable parts are the rotor blades, gears and ratchet anvil.

## DIE GRINDER

| Problem (phenomenon)   | Possible Cause  | Recommended solution  |
|--|---|---|
| <ol style="list-style-type: none"> <li>1. The tool runs automatically or tool will not shut off.</li> <li>2. Torque decreases slightly.</li> <li>3. Sound of air leaking.</li> </ol> | <ol style="list-style-type: none"> <li>1. Dust jam.</li> <li>2. Trigger may be damaged!</li> </ol>  | <ol style="list-style-type: none"> <li>1. Clean to remove the dust from the air inlet.</li> <li>2. Clean the throttle valve.</li> <li>3. Apply a few drops of recommended pneumatic oil into the air inlet.</li> <li>4. Push trigger and run for several seconds to get rid of the dust.</li> <li>5. Inspect the trigger, correct or replace the related component when necessary.</li> </ol> |
| <ol style="list-style-type: none"> <li>1. Severe torque loss, but will still run at full free speed,</li> <li>2. Tool will not run.</li> </ol>                                       | <ol style="list-style-type: none"> <li>1. The rotor blades may be damaged,</li> <li>2. The screws may be loose.</li> <li>3. The Air Regulator may not be in correct position.</li> <li>4. The Collet Nut may be loose.</li> </ol> | <ol style="list-style-type: none"> <li>1. Check and replace with new ones, if necessary.</li> <li>2. Tighten all loose screws.</li> <li>3. Check and correct.</li> <li>4. Check and tighten.</li> </ol>   |

**Note:** The consumable parts are the rotor blades, bearings and collet.

## AIR CUTTING OFF TOOL

| Problem (phenomenon)   | Possible Cause   | Recommended solution   |
|--|--|--|
| <ol style="list-style-type: none"> <li>1. The tool runs automatically or tool will not shut off.</li> <li>2. Torque decreases slightly.</li> <li>3. Sound of air leaking.</li> </ol> | <ol style="list-style-type: none"> <li>1. Dust jam.</li> <li>2. Trigger may be damaged!</li> </ol>   | <ol style="list-style-type: none"> <li>1. Clean and remove the dust from the air inlet.</li> <li>2. Clean the throttle valve.</li> <li>3. Apply a few drops of recommended pneumatic oil into the air inlet.</li> <li>4. Push trigger and run for several seconds to get rid of the dust.</li> <li>5. Inspect the trigger, correct or replace the related component when necessary.</li> </ol> |
| <ol style="list-style-type: none"> <li>1. Severe torque loss, but will still run at full free speed.</li> <li>2. Tool will not run.</li> </ol>                                       | <ol style="list-style-type: none"> <li>1. The rotor blades may be damaged,</li> <li>2. The screws may be loose.</li> <li>3. The Air Regulator may not be in correct position.</li> </ol> | <ol style="list-style-type: none"> <li>1. Check and replace with new ones, if necessary.</li> <li>2. Tighten all loose screws.</li> <li>3. Check and correct.</li> </ol>   |

Note: The consumable parts are the rotor blades and bearings.

## AIR ANGLE GRINDER

| Problem (phenomenon)   | Possible Cause  | Recommended solution   |
|--|---|--|
| <ol style="list-style-type: none"> <li>1. The tool runs automatically or tool will not shut off.</li> <li>2. Torque decreases slightly.</li> <li>3. Sound of air leaking.</li> </ol> | <ol style="list-style-type: none"> <li>1. Dust jam.</li> <li>2. Trigger may be damaged!</li> </ol>  | <ol style="list-style-type: none"> <li>1. Clean and remove the dust from the air inlet.</li> <li>2. Clean the throttle valve.</li> <li>3. Apply a few drops of recommended pneumatic oil into the air inlet.</li> <li>4. Push trigger and run for several seconds to get rid of the dust.</li> <li>5. Inspect the trigger, correct or replace the related component when necessary.</li> </ol> |
| <ol style="list-style-type: none"> <li>1. Severe torque loss, but will still run at full free speed.</li> <li>2. Tool will not run.</li> </ol>                                       | <ol style="list-style-type: none"> <li>1. The rotor blades may be damaged,</li> <li>2. The screws may be loose.</li> <li>3. The bevel gears may not have enough grease.</li> <li>4. The bevel gears may be worn off.</li> </ol> | <ol style="list-style-type: none"> <li>1. Check and replace new ones, if necessary.</li> <li>2. Tighten all loose screws.</li> <li>3. Apply some multiple-purpose grease.</li> <li>4. Replace them.</li> </ol>   |

Note: The consumable parts are the rotor blades and bearings.

## BELT SANDER

| Problem (phenomenon)   | Possible Cause  | Recommended solution   |
|--|---|--|
| <ol style="list-style-type: none"> <li>1. The tool runs automatically or tool will not shut off.</li> <li>2. Torque decreases slightly.</li> <li>3. Sound of air leaking.</li> </ol> | <ol style="list-style-type: none"> <li>1. Dust jam.</li> </ol>  | <ol style="list-style-type: none"> <li>1. Clean and remove the dust from the air inlet.</li> <li>2. Clean the throttle valve.</li> <li>3. Apply a few drops of recommended pneumatic oil into the air inlet.</li> <li>4. Pull the trigger and run for several seconds to get rid of the dust.</li> </ol> |
| <ol style="list-style-type: none"> <li>1. Severe torque loss, but will still run at full free speed.</li> <li>2. Tool will not run.</li> </ol>                                       | <ol style="list-style-type: none"> <li>1. The rotor blades may be damaged.</li> <li>2. The screws may be loose.</li> <li>3. The belt may not be seated correctly.</li> <li>4. The bearings may be damaged.</li> </ol> | <ol style="list-style-type: none"> <li>1. Check and replace with new ones, if necessary.</li> <li>2. Tighten all loose screws.</li> <li>3. Adjust it.</li> <li>4. Replace them.</li> </ol>   |

Note: The consumable parts are the rotor blades and bearings.

## AIR SANDER

| Problem (phenomenon)   | Possible Cause   | Recommended solution   |
|--|--|--|
| <ol style="list-style-type: none"> <li>1. The tool runs automatically or tool will not shut off.</li> <li>2. Torque decreases slightly.</li> <li>3. Sound of air leaking.</li> </ol> | <ol style="list-style-type: none"> <li>1. Dust jam.</li> <li>2. Trigger may be damaged!</li> </ol>   | <ol style="list-style-type: none"> <li>1. Clean and remove the dust from the air inlet.</li> <li>2. Clean the throttle valve.</li> <li>3. Apply a few drops of recommended pneumatic oil into the air inlet.</li> <li>4. Pull the trigger and run for several seconds to get rid of the dust.</li> </ol> |
| <ol style="list-style-type: none"> <li>1. Severe torque loss, but will still run at full free speed.</li> <li>2. Tool will not run.</li> </ol>                                       | <ol style="list-style-type: none"> <li>1. The rotor blades may be damaged,</li> <li>2. The pad may not be correct.</li> <li>3. The screws may be loose.</li> </ol> | <ol style="list-style-type: none"> <li>1. Check and replace with new ones, if necessary.</li> <li>2. Check and replace with the correct one.</li> <li>3. Tighten all loose screws.</li> </ol>  |

**Note:** The consumable parts are the rotor blades and bearings.

## AIR SHEAR

| Problem (phenomenon)   | Possible Cause  | Recommended solution   |
|--|---|--|
| <ol style="list-style-type: none"> <li>1. The tool runs automatically or tool will not shut off.</li> <li>2. Torque decreases slightly.</li> <li>3. Sound of air leaking.</li> </ol> | <ol style="list-style-type: none"> <li>1. Dust jam.</li> </ol>  | <ol style="list-style-type: none"> <li>1. Clean and remove the dust from the air inlet.</li> <li>2. Clean the throttle valve.</li> <li>3. Apply a few drops of recommended pneumatic oil into the air inlet.</li> <li>4. Pull the trigger and run for several seconds to get rid of the dust.</li> </ol> |
| <ol style="list-style-type: none"> <li>1. Severe torque loss, but will still run at full free speed,</li> <li>2. Tool will not run.</li> </ol>                                       | <ol style="list-style-type: none"> <li>1. The rotor blades may be damaged,</li> <li>2. The cutting blades may not be sharp enough.</li> <li>3. The cutting blades may not be in the correct position.</li> <li>4. The lock screws for cutting blades may be loose.</li> </ol> | <ol style="list-style-type: none"> <li>1. Check and replace with new ones, if necessary.</li> <li>2. Check and replace with new ones, if necessary.</li> <li>3. Check and adjust them.</li> <li>4. Check and tighten.</li> </ol>   |

**Note:** The consumable parts are the rotor blades and bearings.

## AIR SAW

| Problem (phenomenon)   | Possible Cause   | Recommended solution   |
|--|--|--|
| <ol style="list-style-type: none"> <li>1. The tool runs automatically or tool will not shut off.</li> <li>2. Torque decreases slightly.</li> <li>3. Sound of air leaking.</li> </ol> | <ol style="list-style-type: none"> <li>1. Dust jam.</li> <li>2. Trigger may be damaged!</li> </ol> | <ol style="list-style-type: none"> <li>1. Clean and remove the dust from the air inlet.</li> <li>2. Clean the throttle valve.</li> <li>3. Apply a few drops of recommended pneumatic oil into the air inlet.</li> <li>4. Pull the trigger and run for several seconds to get rid of the dust.</li> </ol> |
| <ol style="list-style-type: none"> <li>1. Severe torque loss, but will still run at full free speed.</li> <li>2. Tool will not run.</li> </ol>                                       | <ol style="list-style-type: none"> <li>1. The rotor blades may be damaged.</li> </ol>              | <ol style="list-style-type: none"> <li>1. Check and replace with new ones, if necessary.</li> </ol>  |
| <ol style="list-style-type: none"> <li>1. Severe decrease in reciprocating speed.</li> </ol>   | <ol style="list-style-type: none"> <li>1. The drive motor may be dirty.</li> </ol>                 | <ol style="list-style-type: none"> <li>1. Cleaning required.</li> </ol>  |

**Note:** The consumable parts are the rotor blades and bearings.

| Problem (phenomenon)   | Possible Cause  | Recommended solution   |
|--|---|--|
| <b>AIR DRILL</b><br>1. The tool runs automatically or tool will not shut off.<br>2. Torque decreases slightly.<br>3. Sound of air leaking. | 1. Dust jam.  | 1. Clean and remove the dust from the air inlet.<br>2. Clean the throttle valve.<br>3. Apply a few drops of recommended pneumatic oil into the air inlet.<br>4. Pull the trigger and run for several seconds to get rid of the dust. |
| 1. Severe torque loss, but will still run at full free speed.<br>2. Tool will not run.   | 1. The rotor blades may be damaged,<br>2. The keyless chuck may be damaged. | 1. Check both possibilities and replace with new ones, if necessary.   |

**Note: The consumable parts are the rotor blades and bearings.**

|  |   |  |
|--|---|--|
| <b>AIR SCREWDRIVER</b><br>1. The tool runs automatically or tool will not shut off.<br>2. Torque decreases slightly.<br>3. Sound of air leaking. | 1. Dust jam.  | 1. Clean and remove the dust from the air inlet.<br>2. Clean the throttle valve.<br>3. Apply a few drops of recommended pneumatic oil into the air inlet.<br>4. Pull the trigger and run for several seconds to get rid of the dust. |
| 1. Severe torque loss, but will still run at full free speed,<br>2. Tool will not run.   | 1. The rotor blades may be damaged,<br>2. The screws may be loose.<br>3. The Reverse Knob may be damaged or not in the right position.<br>4. The impact mechanism may be damaged. | 1. Check both possibilities and replace with new ones, if necessary.<br>2. Tighten all the loose screws.<br>3. Check and adjust, or replace with a new one if necessary.<br>4. Check and replace with a new set, if necessary.       |

**Note: The consumable parts are the rotor blades and bearings.**

|   |  |  |
|---|--|--|
| <b>AIR HAMMER</b><br>1. The tool runs automatically or tool will not shut off.<br>2. Torque decreases slightly.<br>3. Sound of air leaking. | 1. Dust jam.   | 1. Clean and remove the dust from the air inlet.<br>2. Clean the throttle valve.<br>3. Apply a few drops of recommended pneumatic oil into the air inlet.<br>4. Pull the trigger and run for several seconds to get rid of the dust. |
| 1. The tool doesn't work  | 1. The piston may be jammed or damaged.<br>2. The size of chisel may not be correct. | 1. Check and replace the related component when necessary.<br>2. Check and replace with the correct one.   |

**Note: The consumable parts are the throttle valve and piston.**

|   |  |  |
|---|--|--|
| <b>HYDRAULIC RIVETER</b><br>1. The tool runs automatically or tool will not shut off.<br>2. Power decreases slightly.<br>3. Sound of air leaking. | 1. Dust jam.   | 1. Clean and remove the dust from the air inlet.<br>2. Clean the throttle valve.<br>3. Apply a few drops of recommended pneumatic oil into the air inlet.<br>4. Pull the trigger and run for several seconds to get rid of the dust. |
| 1. The tool doesn't work  | 1. The size of rivet may not be suitable.<br>2. The size of rivet nose may not be correct. | 1. Check and use the correct ones.<br>2. Check and replace with the correct one!   |

**Note: The consumable parts are the rivet nose, jaw housing, front housing and spring.**

## Note:

For more details about the above recommended solutions, please refer to the use'r Manual attached along with each product.

# ALPHABETIC INDEX

## 8

| ITEM      | page |
|-----------|------|
| 8702..... | 181  |
| 8703..... | 181  |
| 8704..... | 181  |
| 8706..... | 181  |
| 8708..... | 181  |

## A

|                |     |
|----------------|-----|
| AD-22.....     | 182 |
| AD-23.....     | 182 |
| AD-24.....     | 182 |
| AD-201.....    | 184 |
| AD-2212.....   | 182 |
| AD-2218.....   | 182 |
| AD-2312.....   | 182 |
| AD-2318.....   | 182 |
| AD-2318.....   | 182 |
| AD-2412.....   | 182 |
| AD-305-41..... | 184 |
| AD-306.....    | 183 |
| AD-307.....    | 183 |
| AD-308.....    | 184 |
| AD-309.....    | 183 |
| AD-3501.....   | 183 |
| AD-3502.....   | 183 |
| AD-3503.....   | 183 |
| AD-351.....    | 183 |
| AD-3601.....   | 183 |
| AD-3602.....   | 183 |
| AD-3603.....   | 183 |
| AD-431.....    | 184 |
| AD-361.....    | 183 |
| AJ-1835.....   | 157 |

## D

|                 |     |
|-----------------|-----|
| DD-20502.....   | 156 |
| DG-585502A..... | 155 |
| DW-18502.....   | 157 |
| DS-10202.....   | 157 |
| DJ-1835.....    | 157 |
| DJS-25502A..... | 157 |

## J

|             |     |
|-------------|-----|
| JC-202..... | 122 |
| JC-304..... | 122 |
| JC-310..... | 122 |
| JC-313..... | 122 |
| JC-320..... | 122 |
| JC-340..... | 122 |
| JC-405..... | 122 |
| JC-410..... | 122 |
| JC-412..... | 122 |
| JC-424..... | 122 |
| JC-435..... | 122 |
| JC-491..... | 122 |
| JC-640..... | 123 |

|              |     |
|--------------|-----|
| JC-641.....  | 123 |
| JC-680.....  | 123 |
| JC-0424..... | 123 |
| JC-0415..... | 123 |

## M

|                 |     |
|-----------------|-----|
| MA211M.....     | 166 |
| MA211S.....     | 166 |
| MA231M.....     | 166 |
| MA231S.....     | 167 |
| MA311M.....     | 167 |
| MA311S.....     | 167 |
| MA331M.....     | 168 |
| MA331S.....     | 168 |
| MA-4030.....    | 164 |
| MA-4031M85..... | 164 |
| MA411M.....     | 169 |
| MA411S.....     | 169 |
| MA-412M1719...  | 192 |
| MA-412S2426...  | 192 |
| MA-412M2122...  | 192 |
| MA42006M.....   | 168 |
| MA42006S.....   | 168 |
| MA-42015.....   | 164 |
| MA431M.....     | 170 |
| MA431S.....     | 170 |
| MA611M.....     | 171 |
| MA611S.....     | 172 |
| MA631M.....     | 173 |
| MA631S.....     | 174 |
| MA-8050.....    | 164 |
| MA811M.....     | 175 |
| MA811S.....     | 175 |
| MA831M.....     | 177 |
| MA831S.....     | 177 |
| MA911M.....     | 179 |
| MA931M.....     | 179 |
| MB34012S.....   | 161 |
| MB34013M.....   | 161 |
| MB35012S.....   | 161 |
| MB35013M.....   | 161 |
| MB43015M.....   | 161 |
| MB44013S.....   | 161 |
| MB44014M.....   | 161 |
| MB45010M.....   | 162 |
| MB45013S.....   | 162 |
| MB45014M.....   | 162 |
| MB64008M.....   | 162 |
| MB64008S.....   | 162 |
| MB64008SP.....  | 162 |
| MB-65008S1..... | 163 |
| MB-65008S.....  | 163 |
| MB-65008M.....  | 163 |
| MB-44008S.....  | 163 |
| MB-44008M.....  | 163 |
| MD10150P.....   | 198 |
| MD10170P.....   | 198 |

|                |     |
|----------------|-----|
| MD10150Z.....  | 198 |
| MD10170Z.....  | 198 |
| MD10150TT..... | 198 |
| MD10170TT..... | 198 |
| MD10165P.....  | 199 |
| MD101110P..... | 199 |
| MD10150H.....  | 199 |
| MD10170H.....  | 199 |
| MD10150T.....  | 199 |
| MD10170T.....  | 199 |
| ME221.....     | 180 |
| ME321.....     | 180 |
| ME421.....     | 180 |
| ME621.....     | 180 |
| ME821.....     | 180 |
| ME422.....     | 180 |
| MB371S.....    | 181 |
| ME471M.....    | 181 |
| ME471S.....    | 181 |
| ME903.....     | 182 |
| ME904.....     | 182 |
| ME906.....     | 182 |
| ME908.....     | 182 |

## N

|                  |     |
|------------------|-----|
| NC-0208.....     | 131 |
| NC-2210.....     | 132 |
| NC-0410KIT.....  | 46  |
| NC-0415KIT.....  | 46  |
| NC-0615KIT.....  | 47  |
| NC-3210.....     | 28  |
| NC-3410.....     | 28  |
| NC-3610Q.....    | 28  |
| NC-3810.....     | 28  |
| NC-3812.....     | 29  |
| NC-3831.....     | 28  |
| NC-3910.....     | 29  |
| NC-3911.....     | 29  |
| NC-398.....      | 28  |
| NC-4130.....     | 34  |
| NC-4210.....     | 34  |
| NC-4210N.....    | 33  |
| NC-4216.....     | 35  |
| NC-4226.....     | 35  |
| NC-4230.....     | 34  |
| NC-4230NE.....   | 35  |
| NC-4230Q.....    | 34  |
| NC-4232Q.....    | 34  |
| NC-4232QKIT..... | 44  |
| NC-4233Q.....    | 30  |
| NC-4233QH.....   | 30  |
| NC-4233TL.....   | 30  |
| NC-4233QKIT..... | 44  |
| NC-4236.....     | 30  |
| NC-4236Q.....    | 30  |
| NC-4240.....     | 34  |
| NC-4255Q.....    | 27  |

|                   |    |
|-------------------|----|
| NC-4255QH.....    | 27 |
| NC-4255QP.....    | 27 |
| NC-4255QHP.....   | 27 |
| NC-4255PVC.....   | 27 |
| NC-4255QKIT.....  | 44 |
| NC-4255Q-41KIT    | 47 |
| NC-4255Q-41KITA05 | 47 |
| NC-4256.....      | 31 |
| NC-4256Q.....     | 31 |
| NC-4265Q          | 27 |
| NC-4266.....      | 31 |
| NC-4258.....      | 31 |
| NC-4610.....      | 31 |
| NC-4610Q.....     | 31 |
| NC-4610N.....     | 33 |
| NC-4611Q.....     | 32 |
| NC-4620QN.....    | 32 |
| NC-4630.....      | 32 |
| NC-4630Q.....     | 32 |
| NC-4650.....      | 32 |
| NC-4650H.....     | 32 |
| NC-4650KIT.....   | 45 |
| NC-4811.....      | 32 |
| NC-498.....       | 28 |
| NC-6113.....      | 38 |
| NC-6123.....      | 38 |
| NC-6210.....      | 36 |
| NC-6210Q.....     | 36 |
| NC-6213.....      | 37 |
| NC-6215.....      | 38 |
| NC-6216.....      | 38 |
| NC-6217.....      | 37 |
| NC-6218.....      | 38 |
| NC-6220.....      | 36 |
| NC-6225.....      | 38 |
| NC-6226.....      | 38 |
| NC-6236.....      | 36 |
| NC-6236Q.....     | 36 |
| NC-6236QKIT.....  | 45 |
| NC-6255Q.....     | 36 |
| NC-6255QH.....    | 36 |
| NC-6255QKIT.....  | 45 |
| NC-6266.....      | 37 |
| NC-6266-6.....    | 37 |
| NC-8211.....      | 40 |
| NC-8212.....      | 38 |
| NC-8216.....      | 41 |
| NC-8217.....      | 25 |
| NC-8219.....      | 25 |
| NC-8221.....      | 40 |
| NC-8226.....      | 41 |
| NC-8226Q.....     | 41 |
| NC-8232.....      | 40 |
| NC-8237.....      | 39 |
| NC-8247.....      | 39 |
| NC-8242.....      | 42 |
| NC-8242-8.....    | 42 |



## ALPHABETIC INDEX

|                  |     |
|------------------|-----|
| NC-8252.....     | 42  |
| NC-8262.....     | 42  |
| NC-8266P.....    | 39  |
| NC-8266P-6.....  | 39  |
| NC-8311.....     | 40  |
| NC-8322.....     | 43  |
| NC-8332.....     | 41  |
| NC-8332-6.....   | 41  |
| NC-8341.....     | 41  |
| NC-8342.....     | 43  |
| NC-8343.....     | 40  |
| NC-8343-8.....   | 40  |
| NC-8351.....     | 40  |
| NC-8362.....     | 43  |
| NC-8372.....     | 43  |
| NC-8382.....     | 42  |
| NC-8382-8.....   | 42  |
| NC-9223.....     | 43  |
| NC-9243.....     | 43  |
| NE-0357.....     | 54  |
| NE-0405-KIT..... | 55  |
| NE-0413.....     | 54  |
| NE-0413S.....    | 54  |
| NE-251.....      | 52  |
| NE-251R.....     | 53  |
| NE-261.....      | 53  |
| NE-321.....      | 53  |
| NE-332.....      | 52  |
| NE-343.....      | 53  |
| NE-351.....      | 52  |
| NE-351R.....     | 53  |
| NE-352.....      | 52  |
| NE-361.....      | 53  |
| NE-362.....      | 53  |
| NE-383.....      | 125 |
| NE-3901.....     | 51  |
| NE-3920.....     | 51  |
| NE-399.....      | 51  |
| NE-421.....      | 53  |
| NE-432.....      | 52  |
| NE-443.....      | 53  |
| NE-451R.....     | 53  |
| NE-462.....      | 51  |
| NE-462T.....     | 126 |
| NE-483.....      | 125 |
| NE-488.....      | 35  |
| NE-4901.....     | 51  |
| NE-499.....      | 51  |
| NE-499N.....     | 54  |
| <b>P</b>         |     |
| PA-111.....      | 112 |
| PA-201.....      | 112 |
| PA-201V.....     | 112 |
| PA-202.....      | 113 |
| PA-203.....      | 113 |
| PA-211.....      | 112 |
| PA-211TS.....    | 114 |

|                |     |
|----------------|-----|
| PA-301.....    | 112 |
| PA-301V.....   | 113 |
| PA-312.....    | 113 |
| PA-321.....    | 112 |
| PA-401V.....   | 113 |
| PA-9064.....   | 116 |
| PA-9048.....   | 116 |
| PA-9048PT..... | 115 |
| PA48PB06T..... | 115 |
| PA-MC.....     | 112 |
| PB-1305.....   | 114 |
| PB-1308.....   | 114 |
| PB-1310.....   | 114 |
| PB-1312.....   | 114 |
| PB-2402.....   | 114 |
| PB-9006.....   | 116 |
| PB-9010.....   | 116 |
| PB-9006PT..... | 115 |
| PC-901.....    | 94  |
| PC-2010.....   | 94  |
| PE-MC.....     | 112 |
| PN-150.....    | 85  |
| PN-180.....    | 85  |
| PN-250.....    | 85  |
| PN-280.....    | 85  |
| <b>Q</b>       |     |
| QA-0115.....   | 62  |
| QA-0207.....   | 62  |
| QA-0215.....   | 62  |
| QA-0615.....   | 62  |
| QA-101.....    | 60  |
| QA-110.....    | 126 |
| QA-111.....    | 60  |
| QA-116.....    | 126 |
| QA-131.....    | 42  |
| QA-141.....    | 42  |
| QA-141L.....   | 42  |
| QA-143.....    | 42  |
| QA-151.....    | 42  |
| QA-163.....    | 42  |
| QA-163L.....   | 42  |
| QA-1710.....   | 58  |
| QA-210.....    | 60  |
| QA-211.....    | 60  |
| QA-231Q.....   | 60  |
| QA-241.....    | 60  |
| QA-311.....    | 61  |
| QA-313.....    | 61  |
| QA-315.....    | 61  |
| QA-412.....    | 63  |
| QA-421.....    | 63  |
| QA-431.....    | 63  |
| QA-432.....    | 63  |
| QA-441.....    | 63  |
| QA-4507.....   | 63  |
| QA-511.....    | 63  |
| QA-611.....    | 59  |

|                  |     |
|------------------|-----|
| QA-632Q.....     | 59  |
| QA-633Q.....     | 57  |
| QA-651N.....     | 132 |
| QA-681.....      | 126 |
| QB-0618.....     | 131 |
| QB-0808.....     | 136 |
| QB-0808U.....    | 136 |
| QB-104.....      | 66  |
| QB-105.....      | 66  |
| QB-107.....      | 66  |
| QB-114.....      | 66  |
| QB-115.....      | 66  |
| QB-117.....      | 67  |
| QB-124.....      | 66  |
| QB-125.....      | 66  |
| QB-134.....      | 66  |
| QB-135.....      | 66  |
| QB-144.....      | 66  |
| QB-145.....      | 66  |
| QB-154.....      | 66  |
| QB-155.....      | 66  |
| QB-164.....      | 66  |
| QB-165.....      | 66  |
| QB-177.....      | 67  |
| QB-179.....      | 68  |
| QB-185.....      | 68  |
| QB-187.....      | 68  |
| QB-194.....      | 69  |
| QB-194L.....     | 69  |
| QB-194-CN.....   | 69  |
| QB-195-85.....   | 69  |
| QB-195-120.....  | 69  |
| QB-195L-85.....  | 70  |
| QB-195L-120..... | 70  |
| QB-195-CN.....   | 70  |
| QB-197Q.....     | 68  |
| QB-199.....      | 70  |
| QB-1004.....     | 70  |
| QB-2925.....     | 71  |
| QB-2925L.....    | 71  |
| QB-311.....      | 72  |
| QB-312.....      | 72  |
| QB-313.....      | 72  |
| QB-321.....      | 72  |
| QB-322.....      | 73  |
| QB-322C.....     | 73  |
| QB-322RC.....    | 73  |
| QB-324.....      | 72  |
| QB-325N.....     | 73  |
| QB-41902.....    | 80  |
| QB-42502.....    | 76  |
| QB-42602.....    | 76  |
| QB-43802.....    | 78  |
| QB-43902.....    | 78  |
| QB-45602.....    | 80  |
| QB-45612.....    | 80  |
| QB-46502.....    | 76  |

|                   |     |
|-------------------|-----|
| QB-46512.....     | 76  |
| QB-46602.....     | 76  |
| QB-46612.....     | 76  |
| QB-47602.....     | 78  |
| QB-47612.....     | 78  |
| QB-48111.....     | 81  |
| QB-48012.....     | 81  |
| QB-48112.....     | 81  |
| QB-48212.....     | 81  |
| QB-48211.....     | 81  |
| QB-49602.....     | 76  |
| QB-51602.....     | 75  |
| QB-51612.....     | 75  |
| QB-52502.....     | 76  |
| QB-52602.....     | 76  |
| QB-53802.....     | 78  |
| QB-53902.....     | 78  |
| QB-54602.....     | 80  |
| QB-54702.....     | 80  |
| QB-55602.....     | 76  |
| QB-56602.....     | 78  |
| QB-57602.....     | 80  |
| QB-57642.....     | 80  |
| QB-58502.....     | 76  |
| QB-58542.....     | 77  |
| QB-58602.....     | 76  |
| QB-58642.....     | 77  |
| QB-59602.....     | 79  |
| QB-59642.....     | 79  |
| QB-623.....       | 71  |
| QB-7114.....      | 65  |
| QB-7115.....      | 65  |
| QB-7145.....      | 65  |
| QB-7215M.....     | 65  |
| QB-7245M.....     | 65  |
| QB-802.....       | 136 |
| QB-802T.....      | 128 |
| QB-802TU.....     | 128 |
| QB-802U.....      | 136 |
| QB-812.....       | 120 |
| QB-812U.....      | 136 |
| QB-812T.....      | 128 |
| QB-812TU.....     | 128 |
| QB-904.....       | 190 |
| QB-905.....       | 190 |
| QB-907.....       | 190 |
| QB-911Series..... | 190 |
| QB-912Series..... | 190 |
| QB-913.....       | 190 |
| QB-914.....       | 190 |
| QB-9211.....      | 190 |
| QB-9213.....      | 190 |
| QB-922.....       | 187 |
| QB-923.....       | 187 |
| QB-9302.....      | 186 |
| QB-9303.....      | 186 |
| QB-9303K04.....   | 194 |

# ALPHABETIC INDEX

|                  |     |
|------------------|-----|
| QB-9305.....     | 186 |
| QB-9306.....     | 186 |
| QB-9307.....     | 186 |
| QB-9327.....     | 186 |
| QB-9345.....     | 186 |
| QB-9315.....     | 186 |
| QB-9316.....     | 186 |
| QB-9337M.....    | 187 |
| QB-9337S.....    | 187 |
| QB-9355.....     | 186 |
| QB-9356.....     | 186 |
| QB-9366.....     | 186 |
| QB-9434.....     | 189 |
| QB-9434U.....    | 189 |
| QB-9444.....     | 189 |
| QB-9444U.....    | 189 |
| QB-94Series..... | 189 |
| QB-95Series..... | 189 |
| QB-9702k.....    | 188 |
| QB-9703k.....    | 188 |
| QB-9712.....     | 188 |
| QB-9713.....     | 188 |
| QB-9712K.....    | 189 |
| QB-9713K.....    | 189 |
| QB-974K12.....   | 194 |
| QB-9742K12.....  | 194 |
| QB-9743K12.....  | 194 |
| QB-9742K20.....  | 194 |
| QB-9743K20.....  | 195 |
| QB-9762K07.....  | 195 |
| QB-9752K07.....  | 195 |
| QB-9773K19.....  | 195 |
| QC-213.....      | 85  |
| QC-213T.....     | 126 |
| QC-234.....      | 85  |
| QC-234T.....     | 126 |
| QC-253.....      | 85  |
| QC-254.....      | 85  |
| QC-264.....      | 127 |
| QD-221.....      | 86  |
| QD-230.....      | 86  |
| QD-242.....      | 86  |
| QD-291N.....     | 86  |
| QD-321.....      | 84  |
| QD-905P.....     | 191 |
| QD-906P.....     | 191 |
| QD-924P.....     | 191 |
| QD-932P.....     | 191 |
| QE-2130.....     | 91  |
| QE-2133.....     | 91  |
| QE-2137.....     | 91  |
| QE-2143.....     | 91  |
| QE-231.....      | 94  |
| QE-323N.....     | 134 |
| QE-331.....      | 90  |
| QE-332.....      | 90  |
| QE-333.....      | 90  |
| QE-334.....      | 90  |

|                |     |
|----------------|-----|
| QE-341.....    | 92  |
| QE-342.....    | 92  |
| QE-343.....    | 92  |
| QE-344.....    | 92  |
| QE-431.....    | 90  |
| QE-432.....    | 90  |
| QE-433.....    | 90  |
| QE-434.....    | 90  |
| QE-441.....    | 92  |
| QE-442.....    | 92  |
| QE-443.....    | 93  |
| QE-532.....    | 90  |
| QE-533.....    | 91  |
| QE-542.....    | 93  |
| QE-543.....    | 93  |
| QE-633.....    | 91  |
| QE-624QA.....  | 152 |
| QE-831.....    | 89  |
| QE-833.....    | 90  |
| QE-841.....    | 92  |
| QE-843.....    | 92  |
| QE-845.....    | 92  |
| QE-933.....    | 91  |
| QE-935.....    | 128 |
| QE-936.....    | 128 |
| QG-102.....    | 87  |
| QG-103.....    | 87  |
| QG-202.....    | 87  |
| QK-Series..... | 191 |
| QK-111.....    | 87  |
| QK-111T.....   | 127 |
| QK-121.....    | 87  |
| QM-1125.....   | 135 |
| QM-901.....    | 191 |
| QP-111.....    | 16  |
| QP-113.....    | 82  |
| QP-123.....    | 82  |
| QP-123QP.....  | 152 |
| QP-212N.....   | 133 |
| QP-213N.....   | 133 |
| QP-215.....    | 82  |
| QP-223N.....   | 134 |
| QP-307.....    | 82  |
| QP-317.....    | 82  |
| QP-323N.....   | 134 |
| QP-327.....    | 82  |
| QP-335.....    | 82  |
| QP-415.....    | 128 |
| QT-102.....    | 135 |
| QT-113.....    | 135 |
| QT-203.....    | 135 |
| QT-112T.....   | 129 |
| QT-203T.....   | 129 |
| QT-303.....    | 129 |

## R

|              |    |
|--------------|----|
| RA-101.....  | 98 |
| RA-101C..... | 98 |
| RA-102.....  | 98 |

|               |     |
|---------------|-----|
| RA-105.....   | 98  |
| RA-110.....   | 98  |
| RA-111.....   | 29  |
| RA-1132.....  | 100 |
| RA-1131.....  | 97  |
| RA-1151.....  | 97  |
| RA-1141.....  | 97  |
| RA-1142.....  | 100 |
| RA-1162.....  | 100 |
| RA-1232.....  | 98  |
| RA-1242.....  | 98  |
| RA-1272.....  | 98  |
| RA-201.....   | 99  |
| RA-2161.....  | 97  |
| RA-2242.....  | 99  |
| RA-2272.....  | 99  |
| RA-301.....   | 100 |
| RA-3011.....  | 102 |
| RA-3017.....  | 102 |
| RA-302.....   | 100 |
| RA-402.....   | 101 |
| RA-3023.....  | 102 |
| RA-3111.....  | 102 |
| RA-3117.....  | 102 |
| RA-3123.....  | 102 |
| RA-4008.....  | 102 |
| RA-4015.....  | 102 |
| RA-4021.....  | 102 |
| RA-4108.....  | 102 |
| RA-4115.....  | 102 |
| RA-4121.....  | 102 |
| RA-5005.....  | 102 |
| RA-5008.....  | 102 |
| RA-5017.....  | 102 |
| RA-505N.....  | 135 |
| RA-5105.....  | 102 |
| RA-5108.....  | 102 |
| RA-5117.....  | 102 |
| RA-606.....   | 98  |
| RA-608.....   | 99  |
| RA-801.....   | 101 |
| RA-801EA..... | 97  |
| RA-802.....   | 101 |
| RA-811.....   | 101 |

## S

|              |     |
|--------------|-----|
| SA-2015..... | 150 |
| SA-3215..... | 150 |
| SA-3315..... | 150 |
| SA-4320..... | 150 |
| SA-4420..... | 150 |
| SB-6042..... | 22  |
| SB-3030..... | 22  |
| SB-3038..... | 22  |
| SB-4031..... | 22  |
| SB-4151..... | 22  |
| SB-2031..... | 22  |
| SB-2131..... | 22  |
| SB-201.....  | 136 |

|                  |     |
|------------------|-----|
| SB-215.....      | 136 |
| SB-304.....      | 137 |
| SB-422.....      | 137 |
| SB-423.....      | 137 |
| SB-501.....      | 137 |
| SC-005.....      | 138 |
| SC-05C.....      | 107 |
| SC-06C.....      | 107 |
| SC-211C.....     | 106 |
| SC-212C.....     | 106 |
| SC-221C.....     | 106 |
| SC-222C.....     | 106 |
| SC-2A.....       | 191 |
| SC-2B.....       | 191 |
| SC-331C.....     | 106 |
| SC-332C.....     | 106 |
| SC-341C.....     | 106 |
| SC-33C.....      | 107 |
| SC-34C.....      | 107 |
| SC-342C.....     | 106 |
| SC-415P.....     | 191 |
| SC-425P.....     | 191 |
| SD-22107.....    | 151 |
| SD-22115.....    | 151 |
| SD-22160.....    | 151 |
| SD-23110.....    | 151 |
| SD-23115.....    | 151 |
| SD-23210.....    | 151 |
| SD-23215.....    | 151 |
| SD-23315.....    | 151 |
| SD-24415.....    | 151 |
| SE-1025.....     | 137 |
| SE-1101.....     | 137 |
| SF-306.....      | 184 |
| SF-604.....      | 184 |
| SF-605.....      | 184 |
| SG-400.....      | 122 |
| SG-400C.....     | 122 |
| SG-401.....      | 122 |
| SG-500.....      | 122 |
| SG-501.....      | 122 |
| SH-1001.....     | 184 |
| SJ-1650T.....    | 118 |
| SJ-1830.....     | 118 |
| SJ-1830F.....    | 118 |
| SJ-1850F.....    | 118 |
| SJ-C1830F.....   | 118 |
| SJ-BNF-1664..... | 118 |
| SJ-CN55.....     | 120 |
| SJ-CN70.....     | 120 |
| SJ-CN57.....     | 120 |
| SJ-CN65.....     | 120 |
| SJ-TN64.....     | 118 |
| SK-1010.....     | 136 |
| SK-1131.....     | 136 |
| SM-0503.....     | 139 |
| SM-0813.....     | 139 |
| SM-0911.....     | 139 |
| SN-1032.....     | 106 |

## ALPHABETIC INDEX

|                 |     |                |     |                 |     |                 |     |
|-----------------|-----|----------------|-----|-----------------|-----|-----------------|-----|
| SN-124.....     | 191 | SU-H3522S..... | 119 | SY-321F.....    | 196 | TE-442210.....  | 158 |
| SN-128.....     | 191 | SU-H3218S..... | 119 | SY-321M.....    | 196 | TE-205025N..... | 158 |
| SN-1268.....    | 108 | SU-H3222S..... | 119 | SY-251F.....    | 196 | TE-225250N..... | 158 |
| SN-1288.....    | 108 | SU-A3518S..... | 119 | SY-251M.....    | 196 | TE-305025N..... | 158 |
| SN-1368.....    | 108 | SU-A3522S..... | 119 | SY-351F.....    | 196 | TE-325250N..... | 158 |
| SN-2110.....    | 108 | SU-A3218S..... | 119 | SY-351M.....    | 196 | TE-428210N..... | 158 |
| SN-2128.....    | 108 | SU-A3222S..... | 119 | SY-210SM.....   | 196 | TE-450350N..... | 158 |
| SN-2124.....    | 108 | SV-1240.....   | 143 | SY-210SF.....   | 196 | TW-210222.....  | 158 |
| SN-268.....     | 191 | SV-1260.....   | 144 | SY-220SM.....   | 196 | TW-310552.....  | 159 |
| SN-288.....     | 191 | SV-1360.....   | 144 | SY-220SF.....   | 196 | TW-402102N..... | 158 |
| SN-3111C.....   | 108 | SV-1460.....   | 147 | SY-230SM.....   | 196 | TW-404202N..... | 158 |
| SN-3112C.....   | 108 | SV-1660.....   | 148 | SY-230SF.....   | 196 | TW-406302N..... | 158 |
| SN-3113C.....   | 108 | SV-1860.....   | 148 | SY-250SM.....   | 196 | TW-408402N..... | 158 |
| SN-3114C.....   | 108 | SV-2220.....   | 143 | SY-250SF.....   | 196 | TW-411102.....  | 158 |
| SN-3121C.....   | 108 | SV-2230.....   | 143 | SY-210SM-L..... | 197 | TW-412202.....  | 158 |
| SN-3122C.....   | 108 | SV-2260.....   | 145 | SY-210SF-L..... | 197 | TW-611552N..... | 158 |
| SN-3123C.....   | 108 | SV-2280.....   | 145 | SY-220SM-L..... | 197 | TW-615752N..... | 158 |
| SN-3124C.....   | 108 | SV-2330.....   | 143 | SY-220SF-L..... | 197 | TW-611602.....  | 159 |
| SN-3212C.....   | 108 | SV-2360.....   | 145 | SY-0213M.....   | 197 | TW-611802.....  | 159 |
| SN-3213C.....   | 108 | SV-2380.....   | 145 | SY-0313M.....   | 197 | TW-612102.....  | 159 |
| SN-3214C.....   | 108 | SV-2431.....   | 144 | SY-0413M.....   | 197 | TB-205025N..... | 23  |
| SN-3222C.....   | 108 | SV-2460.....   | 147 | SY-0223M.....   | 197 | TB-305025N..... | 23  |
| SN-3223C.....   | 108 | SV-2660.....   | 149 | SY-0323M.....   | 197 | TB-320110N..... | 23  |
| SN-3224C.....   | 108 | SV-2860.....   | 149 | SY-0423M.....   | 197 | TB-420210N..... | 23  |
| SN-9101.....    | 107 | SV-3260.....   | 146 | SY-0233M.....   | 197 | TB-450350N..... | 23  |
| SN-9103.....    | 107 | SV-3360.....   | 146 | SY-0333M.....   | 197 | TB-610060N..... | 23  |
| SN-9201.....    | 107 | SV-3460.....   | 146 | SY-0433M.....   | 197 | TB-615080N..... | 23  |
| SN-9203.....    | 107 | SV-3660.....   | 148 | SY-1213F.....   | 197 | TB-620100N..... | 23  |
| SP-101.....     | 104 | SV-3860.....   | 148 | SY-1313F.....   | 197 |                 |     |
| SP-102.....     | 104 | SW-12.....     | 149 | SY-1413F.....   | 197 |                 |     |
| SP-103.....     | 104 | SW-13.....     | 149 | SY-1223F.....   | 197 |                 |     |
| SP-104.....     | 104 | SX-2101.....   | 141 | SY-1323F.....   | 197 |                 |     |
| SP-105.....     | 104 | SX-1618.....   | 21  | SY-1423F.....   | 197 |                 |     |
| SP-111.....     | 104 | SX-1201.....   | 141 | SY-1233F.....   | 197 |                 |     |
| SP-112.....     | 104 | SX-1615.....   | 141 | SY-1333F.....   | 197 |                 |     |
| SP-113.....     | 104 | SX-3201.....   | 141 | SY-1433F.....   | 197 |                 |     |
| SP-212.....     | 104 | SX-3202.....   | 141 | SY-2213P.....   | 197 |                 |     |
| SP-213.....     | 104 | SX-3203.....   | 141 | SY-2313P.....   | 197 |                 |     |
| SP-3050.....    | 104 | SX-3101.....   | 140 | SY-2413P.....   | 197 |                 |     |
| SP-3070.....    | 104 | SX-3102.....   | 140 | SY-2223P.....   | 197 |                 |     |
| SP-3090.....    | 104 | SX-3103.....   | 140 | SY-2323P.....   | 197 |                 |     |
| SP-3150.....    | 104 | SX-3111.....   | 140 | SY-2423P.....   | 197 |                 |     |
| SP-3320.....    | 104 | SX-3112.....   | 140 | SY-2233P.....   | 197 |                 |     |
| SP-3300.....    | 104 | SY-2001M.....  | 196 | SY-2333P.....   | 197 |                 |     |
| SP-3400.....    | 103 | SY-2002M.....  | 196 | SY-2433P.....   | 197 |                 |     |
| SP-3500.....    | 103 | SY-210F.....   | 196 | SY-3113H.....   | 197 |                 |     |
| SP-3600.....    | 103 | SY-210M.....   | 196 | SY-3213H.....   | 197 |                 |     |
| SP-3700.....    | 103 | SY-211F.....   | 196 | SY-3313H.....   | 197 |                 |     |
| SQ-0217.....    | 138 | SY-211M.....   | 196 | SY-3413H.....   | 197 |                 |     |
| SR-2101.....    | 138 | SY-220F.....   | 196 | SY-3123H.....   | 197 |                 |     |
| ST-10C521.....  | 153 | SY-220M.....   | 196 | SY-3223H.....   | 197 |                 |     |
| ST-10C522S..... | 153 | SY-221F.....   | 196 | SY-3323H.....   | 197 |                 |     |
| ST-11B7.....    | 153 | SY-221M.....   | 196 | SY-3423H.....   | 197 |                 |     |
| SU-8016.....    | 118 | SY-230F.....   | 196 | SY-3133H.....   | 197 |                 |     |
| SU-9025.....    | 118 | SY-230M.....   | 196 | SY-3233H.....   | 197 |                 |     |
| SU-9040.....    | 118 | SY-231F.....   | 196 | SY-3333H.....   | 197 |                 |     |
| SU-C1022J.....  | 118 | SY-231M.....   | 196 | SY-3433H.....   | 197 |                 |     |
| SU-C422J.....   | 118 | SY-320F.....   | 196 |                 |     |                 |     |
| SU-H3518S.....  | 119 | SY-320M.....   | 196 |                 |     |                 |     |

## W

|              |     |
|--------------|-----|
| WG-202.....  | 138 |
| WG-202N..... | 158 |

## Y

|              |     |
|--------------|-----|
| YA-0303..... | 200 |
|--------------|-----|

## Z

|                 |     |
|-----------------|-----|
| ZB-306/307..... | 200 |
| ZB-604.....     | 200 |
| ZB-9156.....    | 200 |
| ZB-812/814..... | 200 |
| ZC-107.....     | 201 |
| ZC-111.....     | 201 |
| ZC-112.....     | 201 |
| ZC-201.....     | 200 |
| ZC-202-1.....   | 200 |
| ZC-203.....     | 200 |
| ZC-501.....     | 200 |
| ZC-303.....     | 201 |
| ZE-03.....      | 201 |
| ZF-01/02.....   | 201 |
| ZH-104.....     | 201 |
| ZG-101.....     | 201 |
| ZT-31.....      | 102 |
| ZT-13-1.....    | 185 |
| ZT-13-2.....    | 185 |

## T